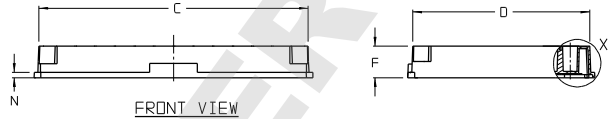
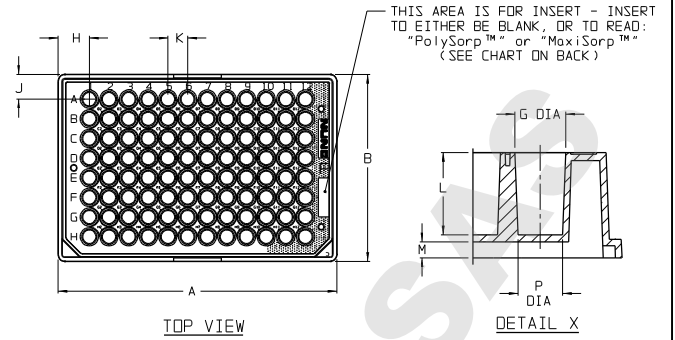


CATALOG NUMBER.....	SEE BELOW	
NDM. CAP. (ul).....	400	
MATERIAL.....	PS	
	INCH	MM
A (BASE LENGTH).....	5.030	127.76
B (BASE WIDTH).....	3.365	85.47
C (TOP LENGTH).....	4.85	123.3
D (TOP WIDTH).....	3.20	81.2
F (OVERALL HEIGHT).....	0.57	14.4
G (TOP OF WELL DIA).....	0.27	7.0
H (A-1 LOCATION) (X).....	0.57	14.4
J (A-1 LOCATION) (Y).....	0.44	11.2
K (WELL-TO-WELL SPACING).....	0.35	9.0
L (WELL DEPTH).....	0.45	11.3
M (BOTTOM OF WELL DISTANCE).....	.09	2.2
N (FLANGE HEIGHT).....	.10	2.5
P (BOTTOM OF WELL DIA).....	.24	6.1

CATALOG NUMBER	SURFACE	COLOR	STERILE	UNITS PER PACK/CASE
269620	NON-TREATED	CLEAR	NO	5/60
269787	NON-TREATED	CLEAR	YES	1/50
439454	MAXISORP™	CLEAR	NO	5/60
442404	MAXISORP™	CLEAR	NO	5/60
475094	POLYSORP™	CLEAR	NO	5/60

NOTES:

1. ALL DIMENSIONS ARE NOMINAL AND IN INCHES AND MILLIMETERS UNLESS OTHERWISE NOTED.
2. THIS IS NOT A PRODUCTION DRAWING, BUT IS FOR INFORMATIONAL PURPOSES ONLY, AND IS SUBJECT TO CHANGE WITHOUT NOTICE.



SPECS ON BACK

NOT TO SCALE

CONFIDENTIAL

THIS PRODUCT SPECIFICATION SHEET CONTAINS CONFIDENTIAL AND/OR PROPRIETARY INFORMATION AND IS TO BE USED ONLY FOR THE EXPRESSED PURPOSES AGREED UPON BY AN AUTHORIZED OFFICER OF THERMO FISHER SCIENTIFIC.

**ThermoFisher  
SCIENTIFIC**

Thermo Fisher Scientific  
75 Panorama Creek Drive  
Rochester, NY 14625-2385, USA

DATE: JDO	APP'D: PVC	PSS 269XXX	REV: 0505
DATE: 6/29/05	DATE: 6/29/05		
DESCRIPTION: 96 WELL, PS, FLAT BOTTOM PLATE PINCH BAR			

DOMINIQUE DUT...