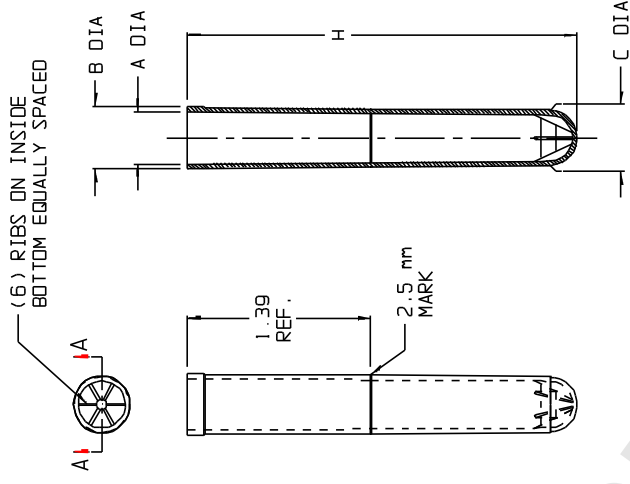


CATALOG NUMBER.....	470319	476503
SURFACE.....	MoxiSorp™	PolySorp®
TOTAL VOLUME (mL)...	5.0	
MATERIAL.....	CRYSTAL PS	
NOM. WT. (gns).....	2.4	
	INCH	MM
A (NECK I.D.).....	0.39	10.0
B (NECK O.D.).....	0.47	12.0
C (BASE DIA).....	0.42	10.7
H (HEIGHT).....	2.95	75.0
NOM. WALL THICKNESS:	0.03	0.8



SECTION A-A

SPECS ON BACK

NOT TO SCALE

CONFIDENTIAL
 THIS PRODUCT SPECIFICATION SHEET CONTAINS CONFIDENTIAL AND/OR PROPRIETARY INFORMATION AND IS TO BE USED ONLY FOR THE EXPRESSED PURPOSES AGREED UPON BY AN AUTHORIZED OFFICER OF THERMO FISHER SCIENTIFIC.

ThermoFisher
 Scientific
 75 Pancosmo Creek Drive
 Rochester, NY 14625-2385, USA

MFG	MC ²	APP'D	PVC	PSS 470319/476503	REV	1104
DATE	11/30/04	11/30/04				
DESCRIPTION:						

STAR TUBE, 75 x 12mm

- NOTES:
1. ALL DIMENSIONS ARE NOMINAL AND IN INCHES AND MILLIMETERS UNLESS OTHERWISE NOTED.
 2. THIS IS NOT A PRODUCTION DRAWING, BUT IS FOR INFORMATIONAL PURPOSES ONLY, AND IS SUBJECT TO CHANGE WITHOUT NOTICE.