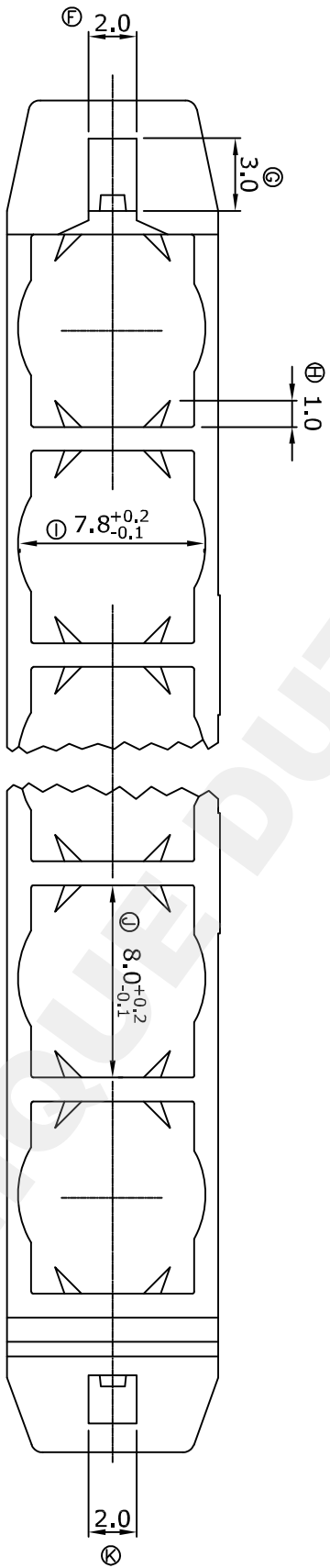
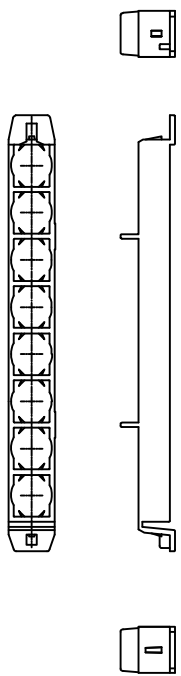


5:1



1:1

Tolerances unless otherwise specified:
 Without decimal: ± 0.5 mm.
 1 place decimal: ± 0.1 mm.
 2 place decimal: ± 0.05 mm.



SUBJECT: Carrier for Break Apart		DRAWN BY/DATUM: PS/30.05.95		CHANGE ORDER NO.2 CO-1181		VALID FROM: 2008.04.14		APPROVED BY/DATUM: JR 2008.04.09		FORMAT: A3	
ITEM NUMBER: 73539		MATERIAL: PP		DRAWING NO.2 2404		VERSION: 10		PAGE TYPE: -C		SCALES: 1:1 (5:1)	
Roskilde Ste - Kamstrupvej 90 - P.O.Box 280 DK-4000 Roskilde - Denmark Tel +45 4631 2000 - Fax +45 4631 2042 E-mail: info@nunc@thermoFisher.com						www.nunchbrand.com					