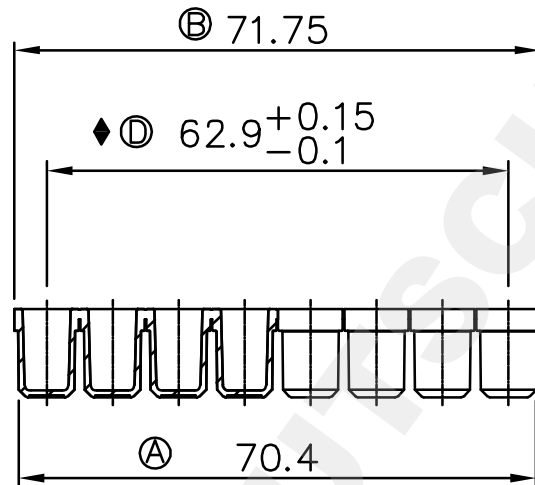
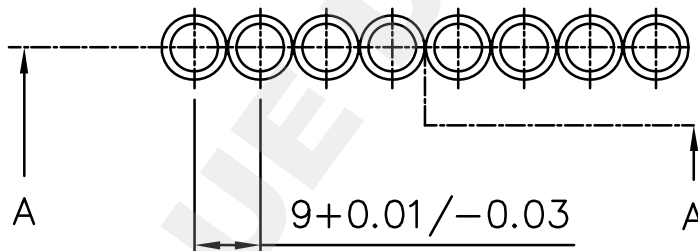


A-A  
2:1



A-A



Tolerances unless otherwise specified:

Without decimal:  $\pm 0.5$  mm

1 place decimal:  $\pm 0.1$  mm

2 place decimal:  $\pm 0.05$  mm

Roskilde Site • Kamstrupvej 90 • P.O.Box 280  
DK-4000 Roskilde • Denmark  
Tel +45 4631 2000 • Fax +45 4631 2042  
E-mail: [Info.nunc@thermoflsher.com](mailto:Info.nunc@thermoflsher.com)

[www.nuncbrand.com](http://www.nuncbrand.com)

SUBJECT: Module C8 break Apart	DRAWN BY/DATE: PS/16.02.94	CHANGE ORDER NO.:: CO-1181	VALID FROM: 2008.04.14	APPROVED BY/DATE: JR 2008.04.09	FORMAT: A4
	ITEM NUMBER:	MATERIAL: PS	DRAWING NO.: 2250	VERSION: 10	PAGE TYPE: -C
				SCALE: 1:1(2:1)	METRIC FIRST ANGLE Projection