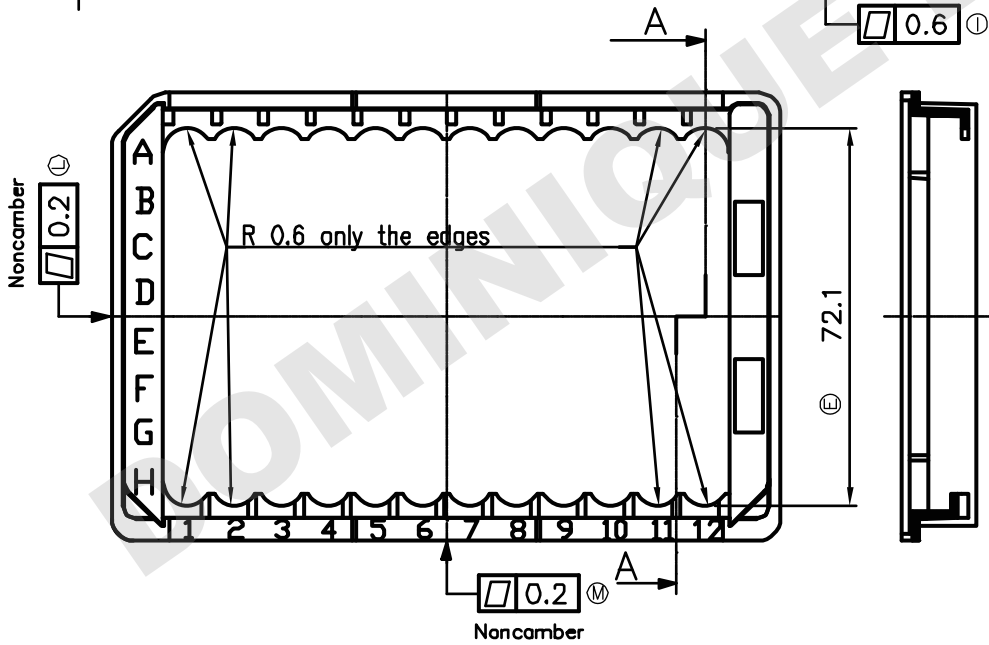


R 0.6 only rounded on
A1-A2-A11-A12 and
H1-H2-H11-H12



Tolerances unless otherwise specified:
 Without decimal: ±0.5 mm
 1 place decimal: ±0.1 mm
 2 place decimal: ±0.05 mm

ThermoFisher
 SCIENTIFIC

Roskilde Site = Kamstrupvej 90 • P.O.Box 280
 DK-4000 Roskilde • Denmark
 Tel: +45 4631 2000 • Fax: +45 4631 2042
 Email: info@nunc@thermofisher.com

www.nuncbrand.com

SUBJECT: Frame for Modules		DRAWN BY/DATE: JR/09.09.98	CHANGE ORDER NO: CO-1763	VALID FROM: 2007.06.12	APPROVED BY/DATE: JR 2007.06.07	FORMAT: A3
ITEM NUMBER:	MATERIAL: SAN, White	DRAWING NO: 2122	VERSION: 10	FACTOR YP-2: -C	SCALE: 1:1 (2:1)	METRIC: mm