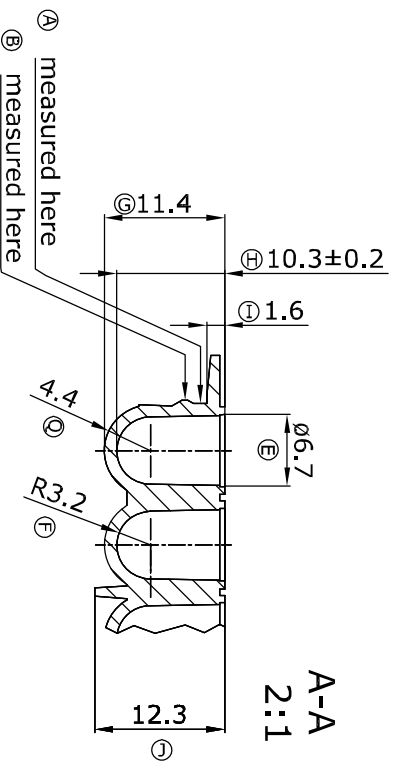


Remark: ②
measured 1.0 mm
from top of well.



Tolerances unless otherwise specified:
Without decimal: ± 0.5 mm
1 place decimal: ± 0.1 mm
2 place decimal: ± 0.05 mm

SUBJECT:		DRAWN BY/DATE:		CHANGE ORDER NO.:		VALID FROM:		APPROVED BY/DATE:		FORMAT:	
Module U8		TBS/21.02.00		CO-1181		2007.10.18		avg2007.10.15		A3	
MATERIAL:		PS		DRAWING NO.:		2251		PAGE 1 OF 1		METRIC	
Roskilde Site • Kamstrupvej 90 • P.O.Box 280		www.nunbrand.com		DK-4000 Roskilde • Denmark							
Tel +45 4631 2000 • Fax +45 4631 2042				E-mail info.nunc@thermo-fisher.com							