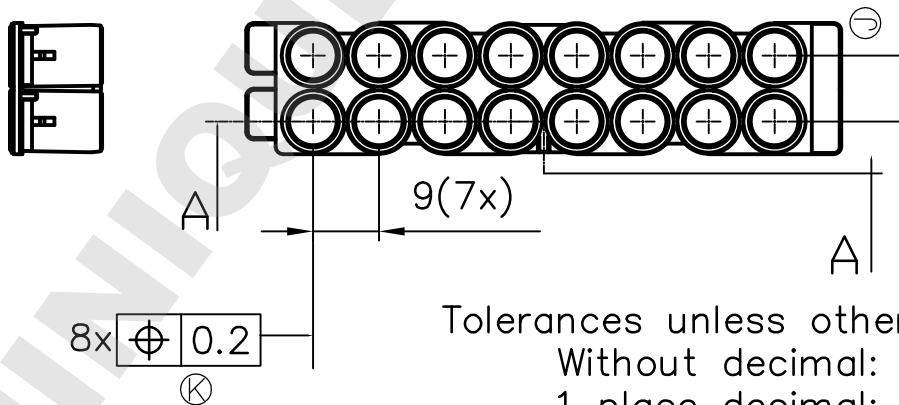
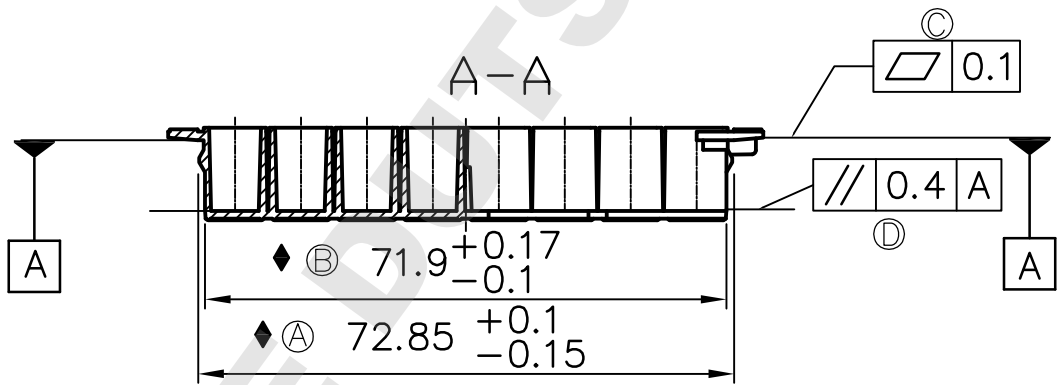
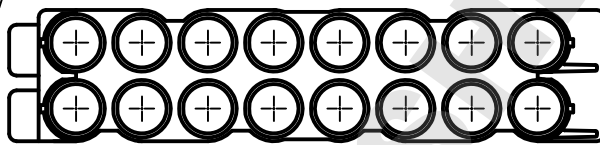


Ⓐ Measured here
 Ⓑ Measured here



Tolerances unless otherwise specified:
 Without decimal: ±0.5 mm
 1 place decimal: ±0.1 mm
 2 place decimal: ±0.05 mm

ThermoFisher
 SCIENTIFIC

Roskilde Site · Kamstrupvej 90 · P.O.Box 280
 DK-4000 Roskilde · Denmark
 Tel +45 4631 2000 · Fax +45 4631 2042
 E-mail: info.nunc@thermofisher.com

www.nuncbrand.com

SUBJECT: F16 module	DRAWN BY/DATE: TBS/17.08.99	CHANGE ORDER NO.: CO-1763	VALID FROM: 2007.09.21	APPROVED BY/DATE: JR 2007.09.19	FORMAT: A4
	ITEM NUMBER:	MATERIAL: PS	DRAWING NO.: 2134	VERSION: 10	PAGE TYPE: -C