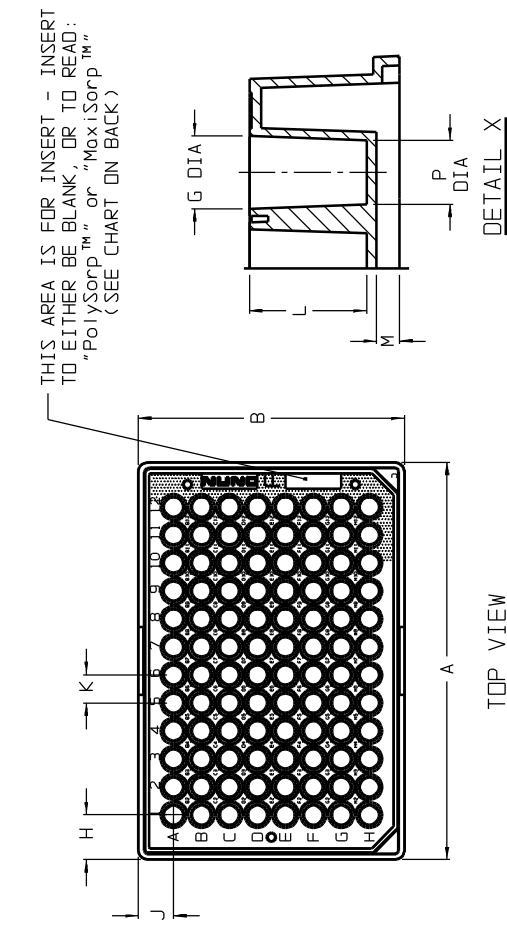


CATALOG NUMBER	SEE BELOW
NOM. CAP. (ul)	400
MATERIAL	PS
	INCH
A (BASE LENGTH)	5.030
B (BASE WIDTH)	3.365
C (TOP LENGTH)	4.85
D (TOP WIDTH)	3.20
F (OVERALL HEIGHT)	0.57
G (TOP OF WELL DIA)	0.27
H (A-1 LOCATION) (X)	0.57
J (A-1 LOCATION) (Y)	0.44
K (WELL-TO-WELL SPACING)	0.35
L (WELL DEPTH)	0.45
M (BOTTOM OF WELL DISTANCE)	.09
N (FLANGE HEIGHT)	.10
P (BOTTOM OF WELL DIA)	.24

CATALOG NUMBER	SURFACE	COLOR	STERILE	UNITS PER PACK/CASE
269620	NON-TREATED	CLEAR	NO	5/60
269787	NON-TREATED	CLEAR	YES	1/50
439454	MAXISDRP™	CLEAR	NO	5/60
442404	MAXISDRP™	CLEAR	NO	5/60
475094	POLYSDRP™	CLEAR	NO	5/60

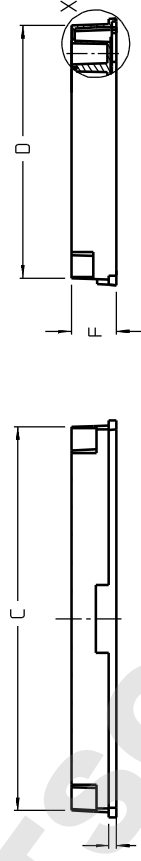
NOTES:

- ALL DIMENSIONS ARE NOMINAL AND IN INCHES AND MILLIMETERS UNLESS OTHERWISE NOTED.
- THIS IS NOT A PRODUCTION DRAWING, BUT IS FOR INFORMATIONAL PURPOSES ONLY, AND IS SUBJECT TO CHANGE WITHOUT NOTICE.



TOP VIEW

DETAIL X



FRONT VIEW

SPECS ON BACK

NOT TO SCALE

ThermoFisher
SCIENTIFIC

Thermo Fisher Scientific
75 Panoramia Creek Drive
Rochester, NY 14625-2385, USA

DATE	J00	APP'D	PVC	REV	0505
BY	6/29/05	DATE	6/29/05	PART	PSS 269XXX
DESCRIPTION	96 WELL, PS, FLAT BOTTOM PLATE				

PINCH BAR

CONFIDENTIAL

THIS PRODUCT SPECIFICATION SHEET CONTAINS CONFIDENTIAL AND/OR PROPRIETARY INFORMATION AND IS TO BE USED ONLY FOR THE EXPRESSED PURPOSES AGREED UPON BY AN AUTHORIZED OFFICER OF THERMO FISHER SCIENTIFIC.