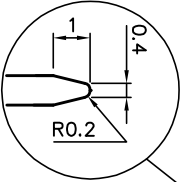
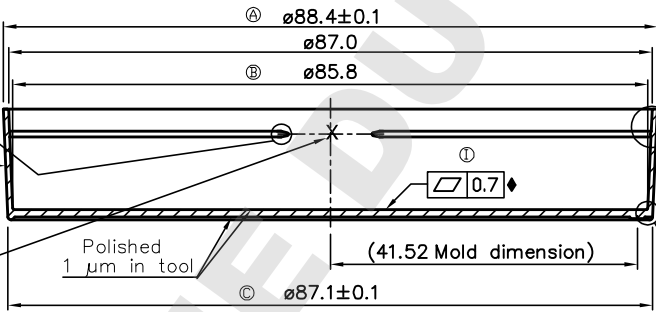


B-B

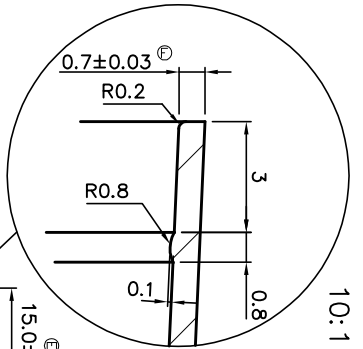


10:1

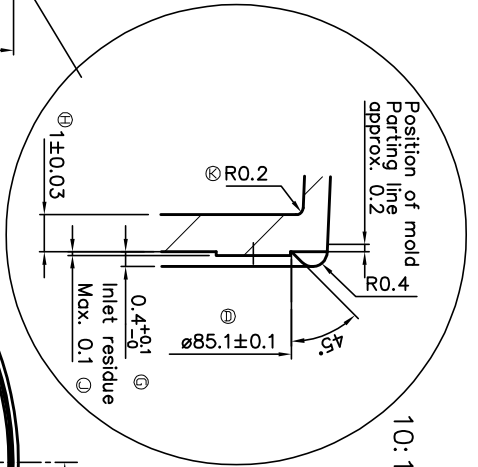


A-A

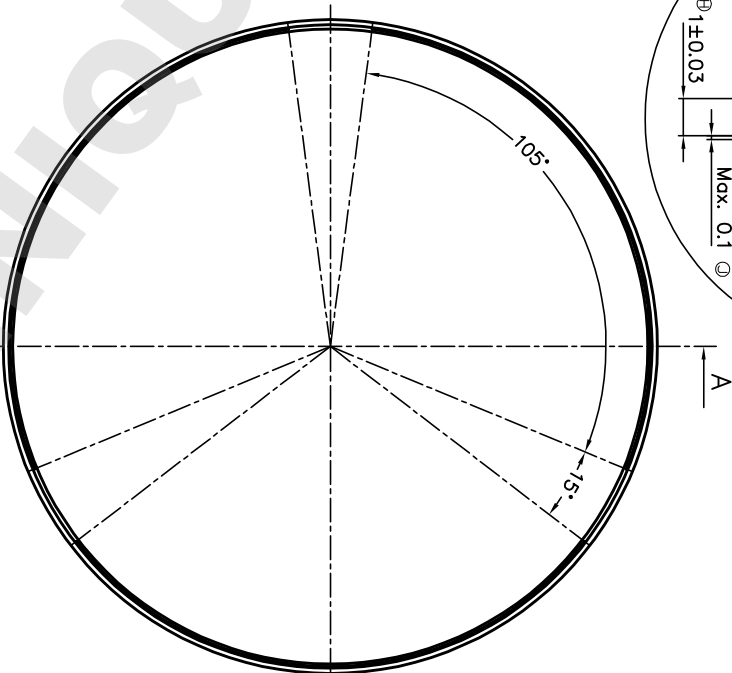
Text font: Helvetica light  
Text size: 1.5 mm  
Text: Cavity No. 3-6  
0.022-0.024 mm positive  
(etched on core)



10:1



10:1



Tool surfaces unless otherwise specified: Polished 3 µm

Tolerances unless otherwise specified:  
without dash: ±0.5mm  
1 place decimal: ±0.1mm  
2 place decimal: ±0.05mm

Munc A/S • Kemstrupvej 30 • P.O. Box 280 DK-4000 Roskilde • Denmark Tel +45 4631 2000 • Fax +45 4631 2175 Email: munc@munck.dk		www.munchbrand.com	
SUBJECT: Petri Dish 9 cm. Bottom part, low model	DRAWING NO.: 2966 SCALE: 1-1 DATE: 21.10.11	DATE: 08.10.97 SCALE: JP/08.10.97	CHANGE ORDER NO.: 00129 CHANGED BY: 17813.02 DATE: 17813.02 DRAWN BY: 17813.02 DATE: 17813.02 CHECKED BY: 17813.02 DATE: 17813.02