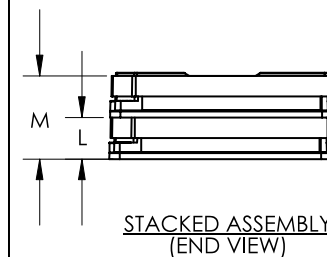
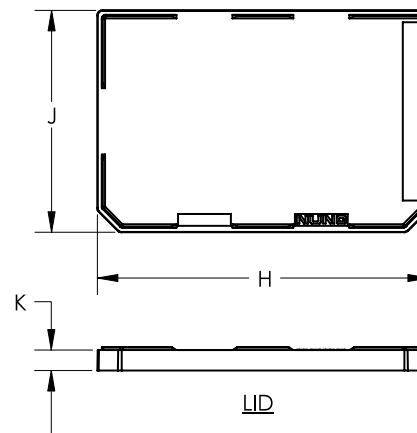
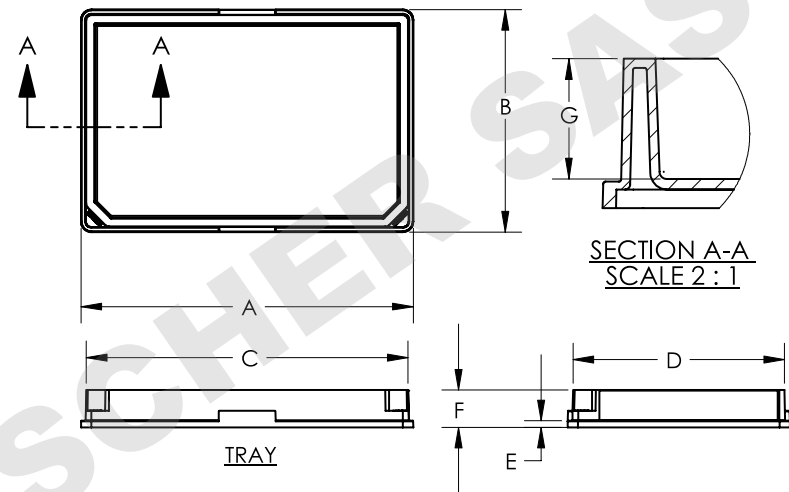


CATALOG NUMBER	SEE CHART BELOW	
TOTAL VOLUME, mL	90	
SUGGESTED WORKING VOL., mL	35	
NOM. CULTURE AREA (cm ²)	84	
MATERIAL (PLATE & LID)	POLYSTYRENE	
	INCH	MM
A (BASE LENGTH)	5.030	127.76
B (BASE WIDTH)	3.365	85.47
C (TOP LENGTH)	4.87	123.7
D (TOP WIDTH)	3.20	81.3
E (FLANGE HEIGHT)	0.10	2.5
F (OVERALL HEIGHT)	0.57	14.5
G (WELL DEPTH)	0.46	11.7
H (LID LENGTH)	5.02	127.5
J (LID WIDTH)	3.36	85.3
K (LID HEIGHT)	0.31	7.9
L (STACKED HEIGHT W/LIDS)	0.63	16.0
M (ASSEMBLY HEIGHT W/LID)	1.26	32.0

CATALOG NO.	COLOR	UNITS PER (PK/CASE)
165218	CLEAR	10/60
242811	CLEAR	10/60
264728	CLEAR	10/90
465219	CLEAR	10/60

1. ALL DIMENSIONS ARE NOMINAL AND IN INCHES AND MILLIMETERS UNLESS OTHERWISE NOTED.
2. THIS IS NOT A PRODUCTION DRAWING, BUT IS FOR INFORMATIONAL PURPOSES ONLY, AND IS SUBJECT TO CHANGE WITHOUT NOTICE.



SPECS ON BACK

NOT TO SCALE

CONFIDENTIAL

THIS PRODUCT SPECIFICATION SHEET CONTAINS CONFIDENTIAL AND/OR PROPRIETARY INFORMATION AND IS TO BE USED ONLY FOR THE EXPRESSED PURPOSES AGREED UPON BY AN AUTHORIZED OFFICER OF THERMO FISHER SCIENTIFIC.

ThermoFisher
SCIENTIFIC

Thermo Fisher Scientific
75 Panorama Creek Drive
Rochester, NY 14625-2385, USA

MADE	PB	APP'D	PVC	PSS 165218	REV.	0307
CK'D	KOW	3/21/07				

DESCRIPTION:

OMNITRAY