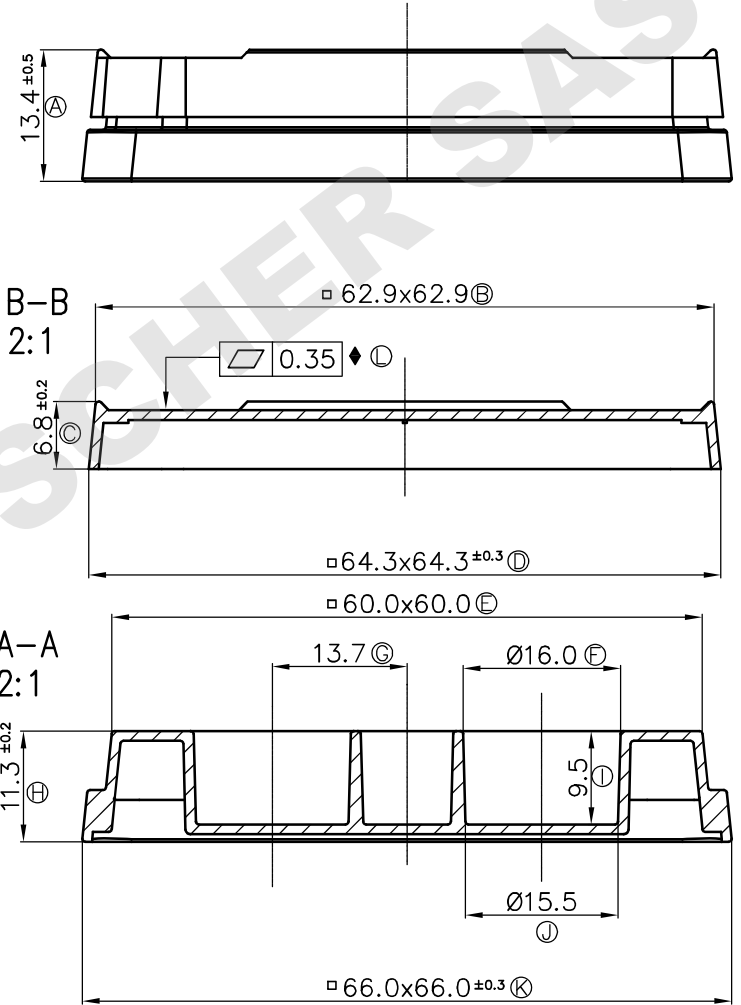
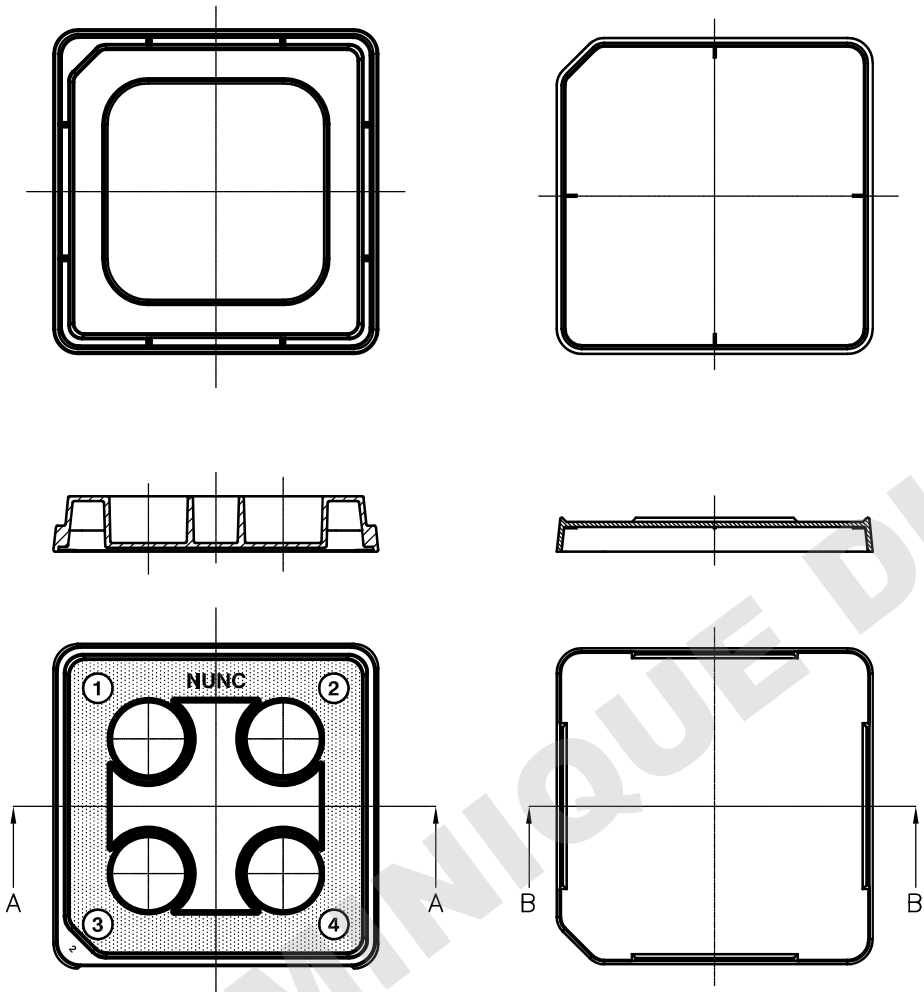


# Assembly



Tolerances unless otherwise specified:  
 Without decimal: ±0.5 mm  
 1 place decimal: ±0.1 mm  
 2 place decimal: ±0.05 mm

Undefined radius: R 0.20 mm

		Roskilde Site · Kamstrupvej 90 · P.O.Box 280 DK-4000 Roskilde · Denmark Tel +45 4631 2000 · Fax +45 4631 2042 E-mail: info.nunc@thermofisher.com		<a href="http://www.nuncbrand.com">www.nuncbrand.com</a>		
SUBJECT: Multidish 4, part No. 2 and 3 Base and lid.		DRAWN BY/DATE: JEP/08.11.01	CHANGE ORDER NO.: CO-1181	VALID FROM: 2008.06.06	APPROVED BY/DATE: JR 2008.06.03	FORMAT: A3
ITEM NUMBER:	MATERIAL: PS	DRAWING NO.: 3018	VERSION: 10	PAGE TYPE: -C	SCALE: 1:1 (2:1)	METRIC 