

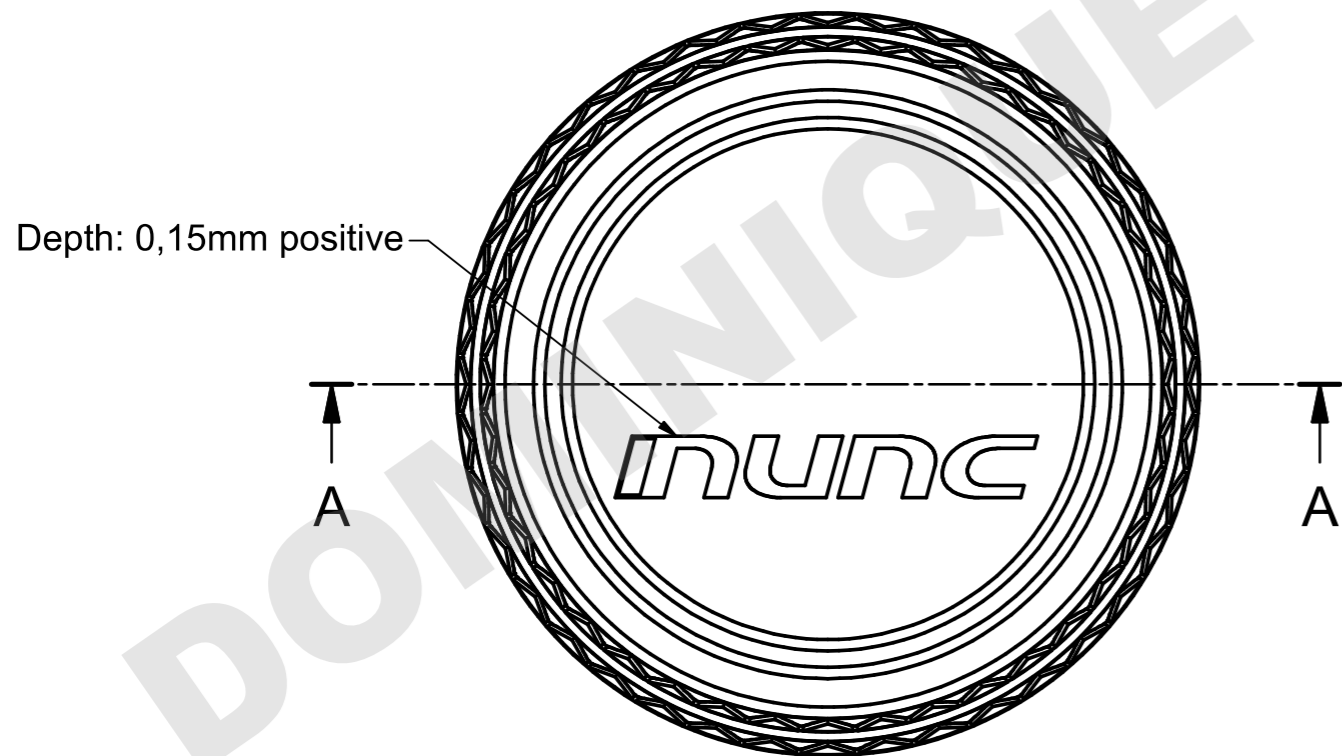
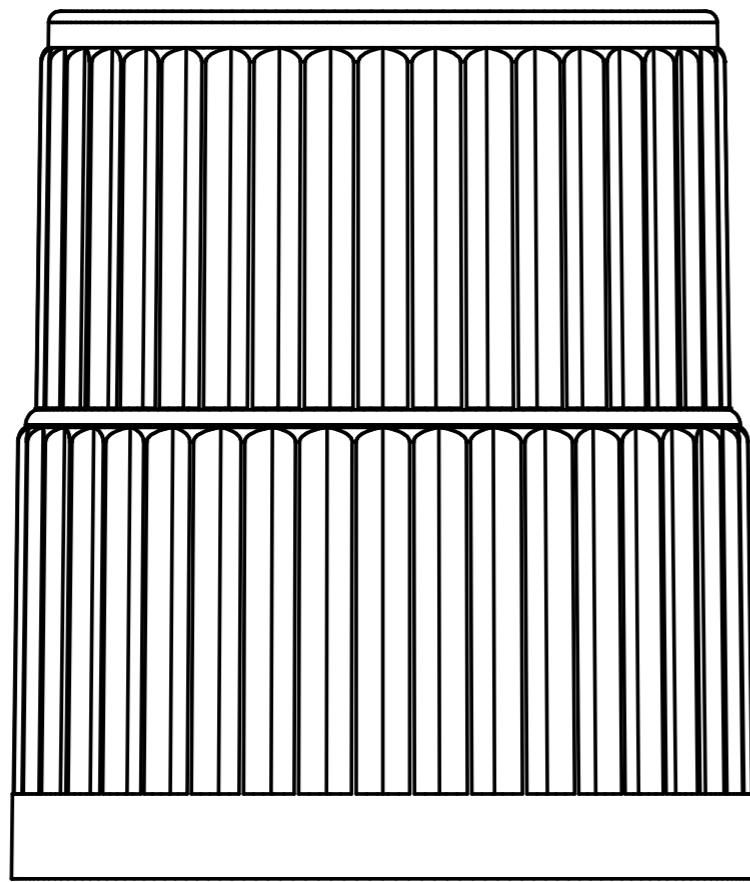
Undefined radius: R 0.2 mm
 Tolerances unless otherwise specified:
 Without decimal: ±0.5 mm
 1 place decimal: ±0.1 mm
 2 place decimal: ±0.05 mm

Thermo Fisher
 S C I E N T I F I C

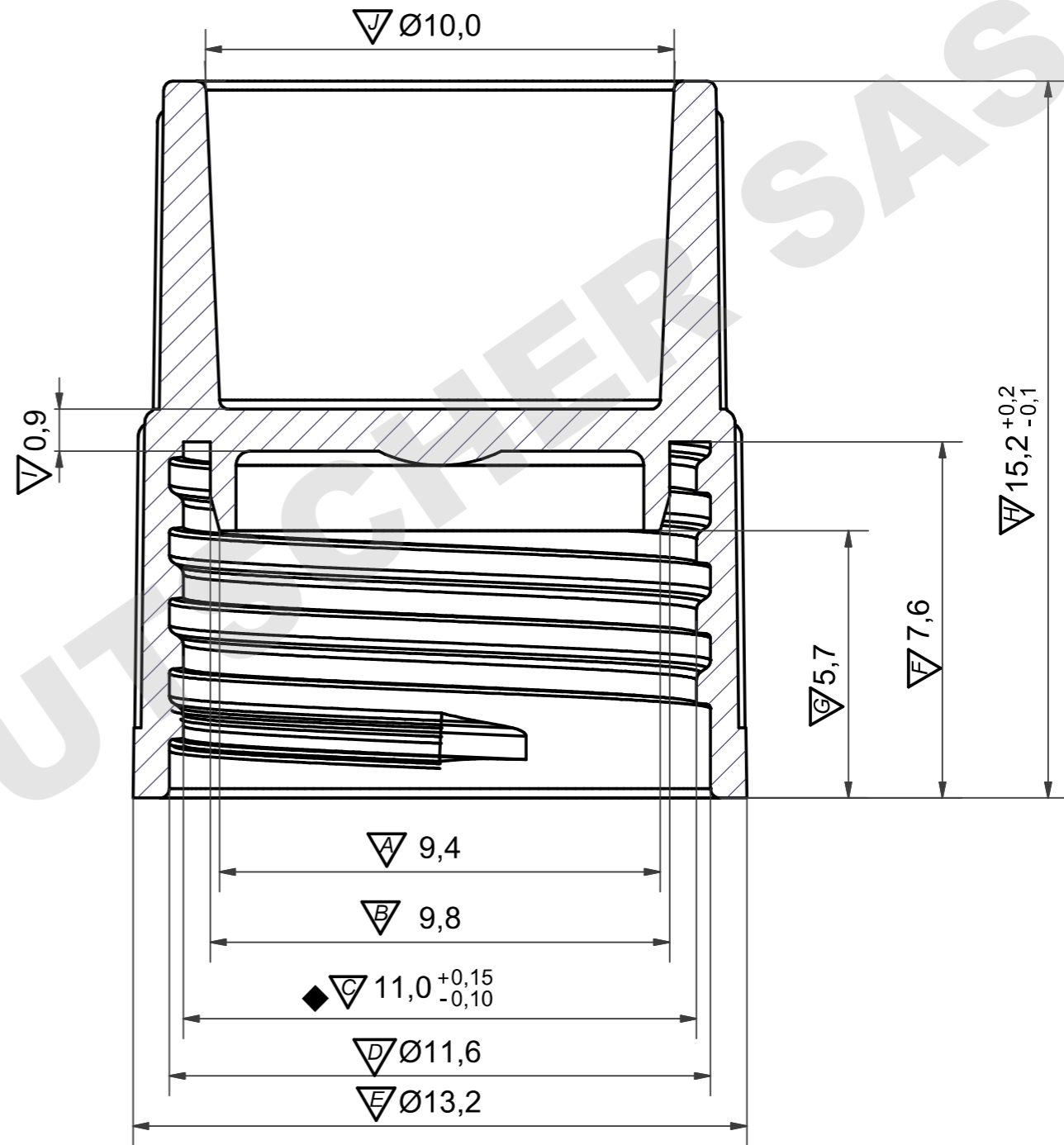
Nunc A/S · Kamstrupvej 90 · P.O.Box 280
 DK-4000 Roskilde · Denmark
 Tel +45 4631 2000 · Fax +45 4631 2042
 E-mail: info.nunc@thermofisher.com

www.thermoscientific.com

SUBJECT: Cryotube 1,8 ml Starfoot, ext. thread	DRAWN BY/DATE: PBE/2012-01-25	CHANGE ORDER NO.: CO-5624	VALID FROM: 2015-02-27	APPROVED BY/DATE: ROSHJO 2015-02-27	FORMAT: A4
	ITEM NUMBER: -	MATERIAL: -	DRAWING NO.: 2323	VERSION: 11-b	PAGE TYPE: -C
				SCALE: 2:1	METRIC First Angle Projection



A-A (7,5 : 1)



Undefined radius: R 0.2 mm
 Tolerances unless otherwise specified:
 Without decimal: ± 0.5 mm
 1 place decimal: ± 0.1 mm
 2 place decimal: ± 0.05 mm

Thermo Fisher
SCIENTIFIC

Nunc A/S · Kamstrupvej 90 · P.O.Box 280
 DK-4000 Roskilde · Denmark
 Tel +45 4631 2000 · Fax +45 4631 2042
 E-mail: info.nunc@thermofisher.com

www.thermoscientific.com

SUBJECT: Stopper for cryotube Ext.thread		DRAWN BY/DATE: PBE/2011.06.20	CHANGE ORDER NO.: CO-4256	VALID FROM: 26-06-2013	APPROVED BY/DATE: ROSKGA 25-06-2013	FORMAT: A3
ITEM NUMBER: 75329	MATERIAL: HDPE	DRAWING NO.: 2324	VERSION: 13-b	PAGE TYPE: -C	SCALE: 5:1	METRIC First Angle Projection