

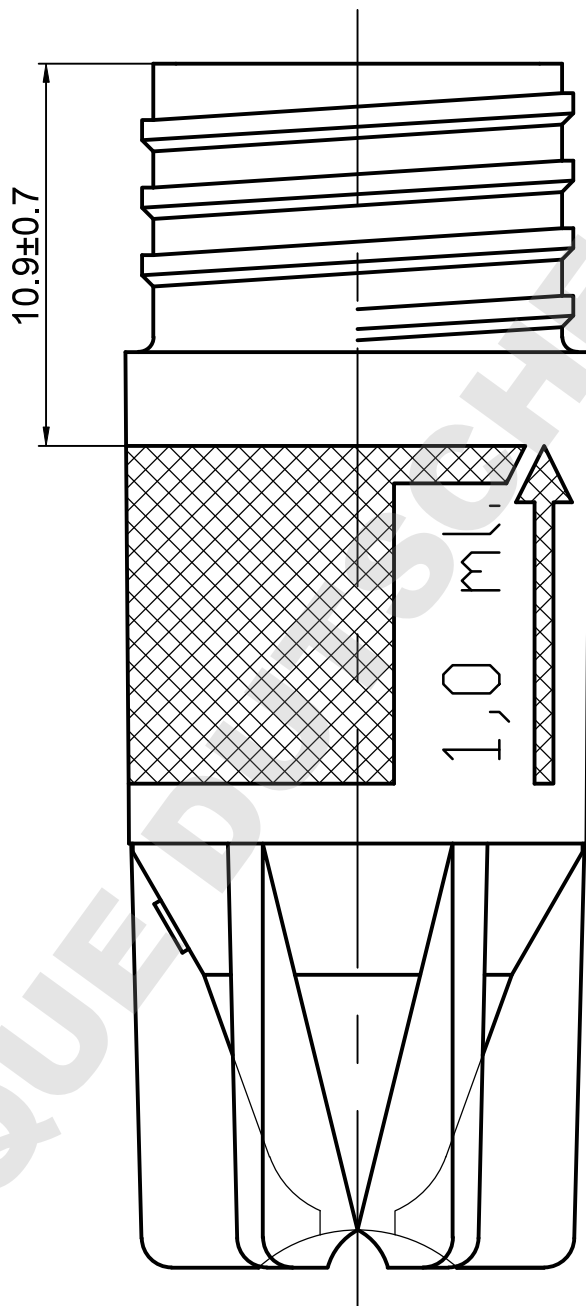
Tolerances unless otherwise specified:  
 Without decimal:  $\pm 0.5$  mm  
 1 place decimal:  $\pm 0.1$  mm  
 2 place decimal:  $\pm 0.05$  mm  
 Undefined radius: R 0.20 mm

Roskilde Site - Kamstrupvej 90 - P.O.Box 280  
 DK-4000 Roskilde - Denmark  
 Tel +45 4631 2000 - Fax +45 4631 2042  
 E-mail: info.nunc@thermoFisher.com

[www.nuncbrand.com](http://www.nuncbrand.com)

SUBJECT: Cryo tube 1.0 ml. w. internal thread and fibs

DRAWING BY/DATE:	PS/23.03.93	CHANGE ORDER NO.:	CC-1181	VALID FROM:	2009.03.26	APPROVED BY/DATE:	JR 2009.03.12	FORMAT:	A3
ITEM NUMBER:	PP	MATERIAL:	2028	VERSION:	10-a	PAGE TYPE:	-C	SCALE:	5:1, 1:1
METRIC		METRIC		METRIC		METRIC		METRIC	

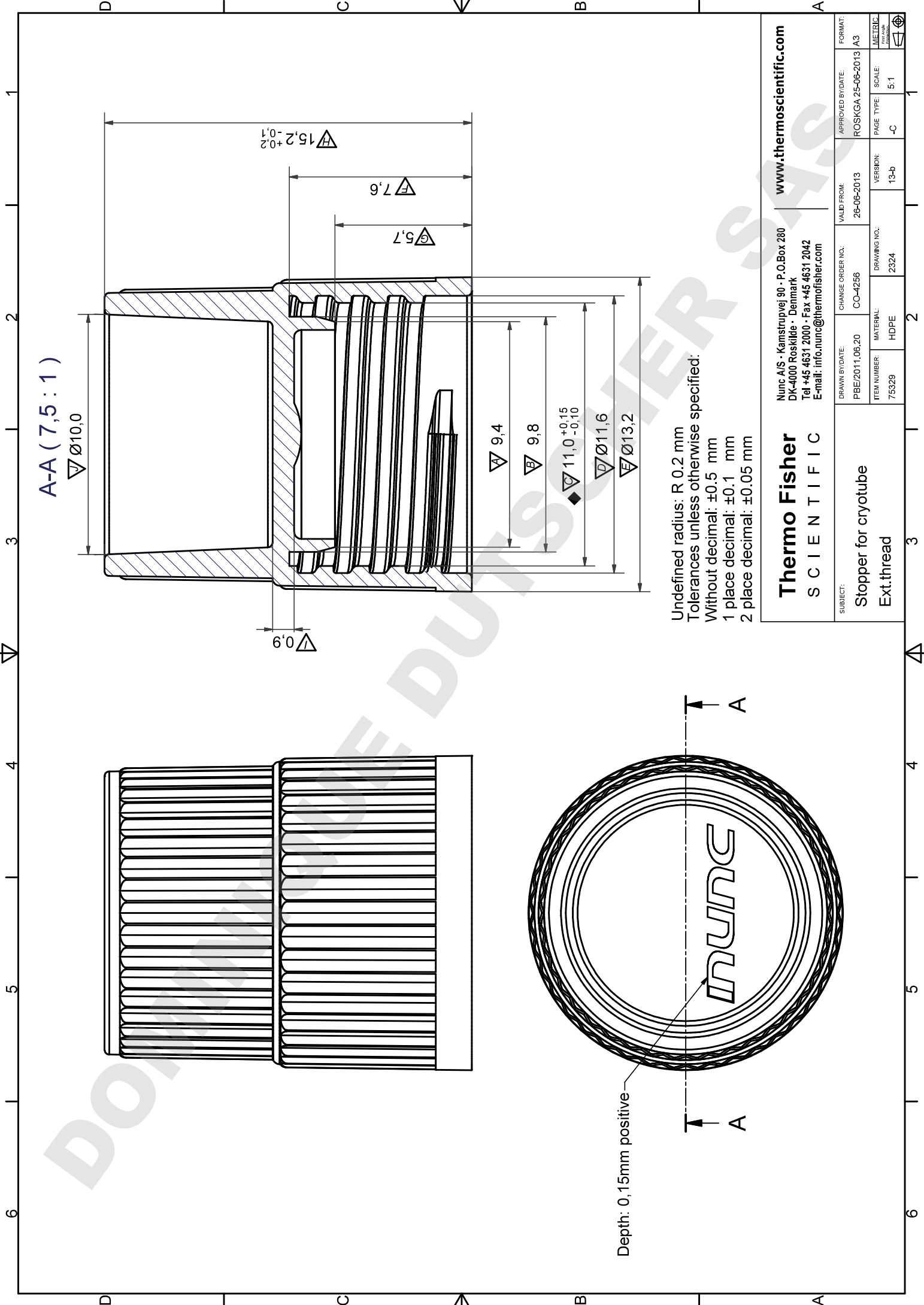


**ThermoFisher**  
SCIENTIFIC

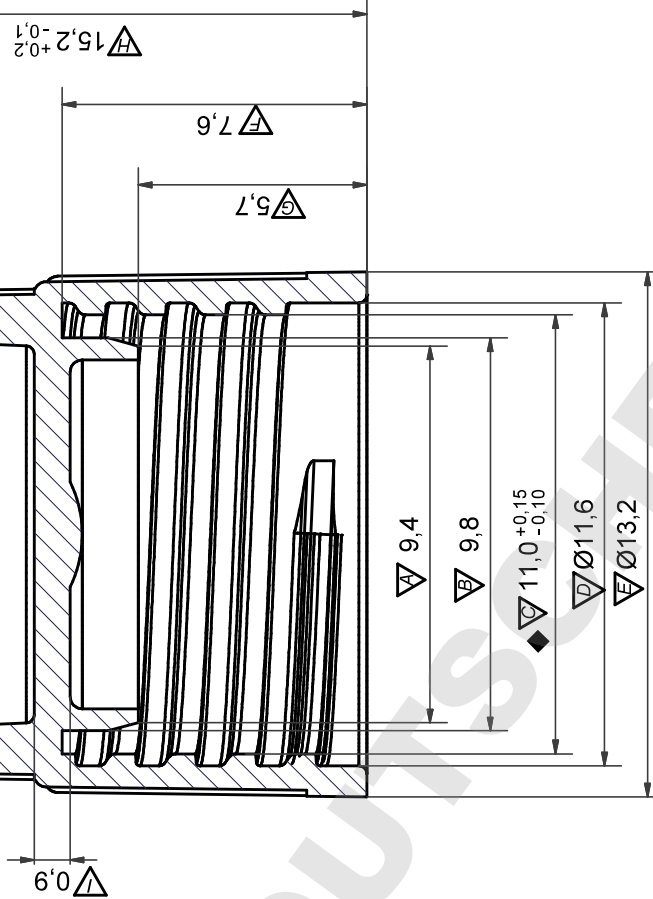
Thermo Fisher Scientific  
Nunc A/S · Kamstrupvej 90 · P.O.Box 280  
DK-4000 Roskilde · Denmark  
Tel +45 4631 2000 · Fax +45 4631 2042  
E-mail: info.nunc@thermofisher.com

[www.thermoscientific.com](http://www.thermoscientific.com)

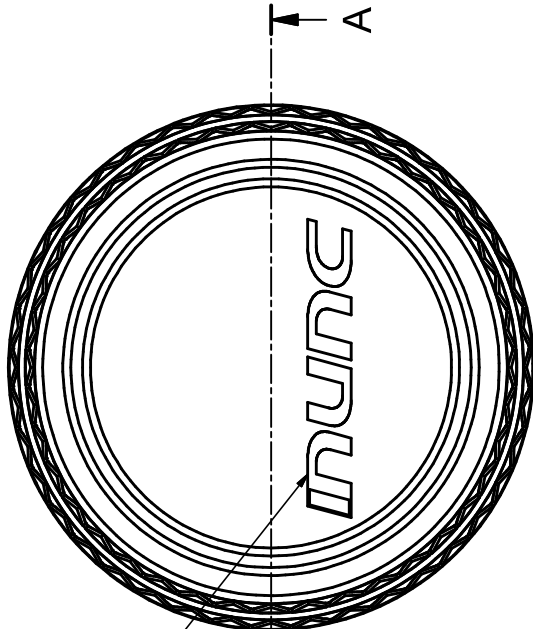
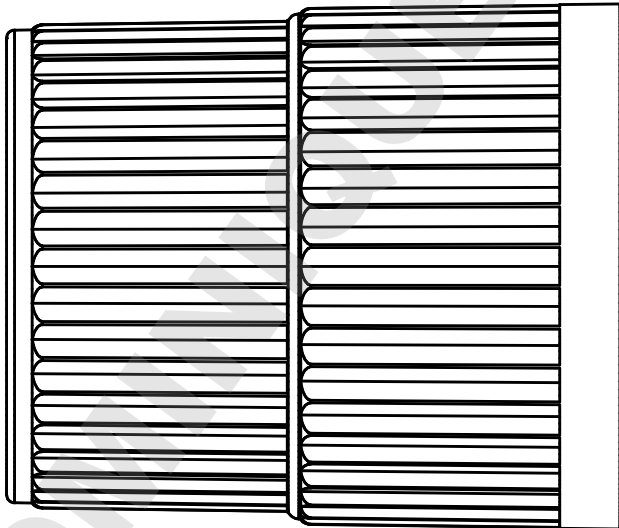
SUBJECT: Cryo tube 1.0 ml. w. internal thread and ribs.	DRAWN/MODIFIED BY: KGA/2014-11-07	CHANGE ORDER NO.: CO-5518	VALID FROM: 2014.11.07	APPROVED BY/DATE: ROSKGA 2014.11.07	FORMAT: A4
	ITEM NUMBER: -	MATERIAL: PP	DRAWING NO.: 2029	VERSION: 11-b	PAGE TYPE: -C
				SCALE: 5:1	METRIC First Angle Projection.



A-A (7,5 : 1)  
 $\nabla \text{Ø}10,0$



Undefined radius: R 0.2 mm  
 Tolerances unless otherwise specified:  
 Without decimal:  $\pm 0.5$  mm  
 1 place decimal:  $\pm 0.1$  mm  
 2 place decimal:  $\pm 0.05$  mm



Depth: 0,15mm positive

**Thermo Fisher**  
 S C I E N T I F I C

SUBJECT:  
 Stopper for cryotube  
 Ext.thread

www.thermoscientific.com  
 Nunc A/S · Kamstrupvej 90 · P.O.Box 280  
 DK-4000 Roskilde · Denmark  
 Tel +45 4631 2000 · Fax +45 4631 2042  
 E-mail: info.nunc@thermofisher.com

DRAWN BY/DATE: PBE/2011.06.20		CHANGE ORDER NO.: CC-4256		VALID FROM: 26-06-2013		APPROVED BY/DATE: ROSKGA 25-06-2013 /A3		FORMAT: METRIC	
ITEM NUMBER: 75329		MATERIAL: HDPE		DRAWING NO.: 2324		VERSION: 13-b		PAGE TYPE: -C	
								SCALE: 5:1	