

**A-A (2 : 1)**

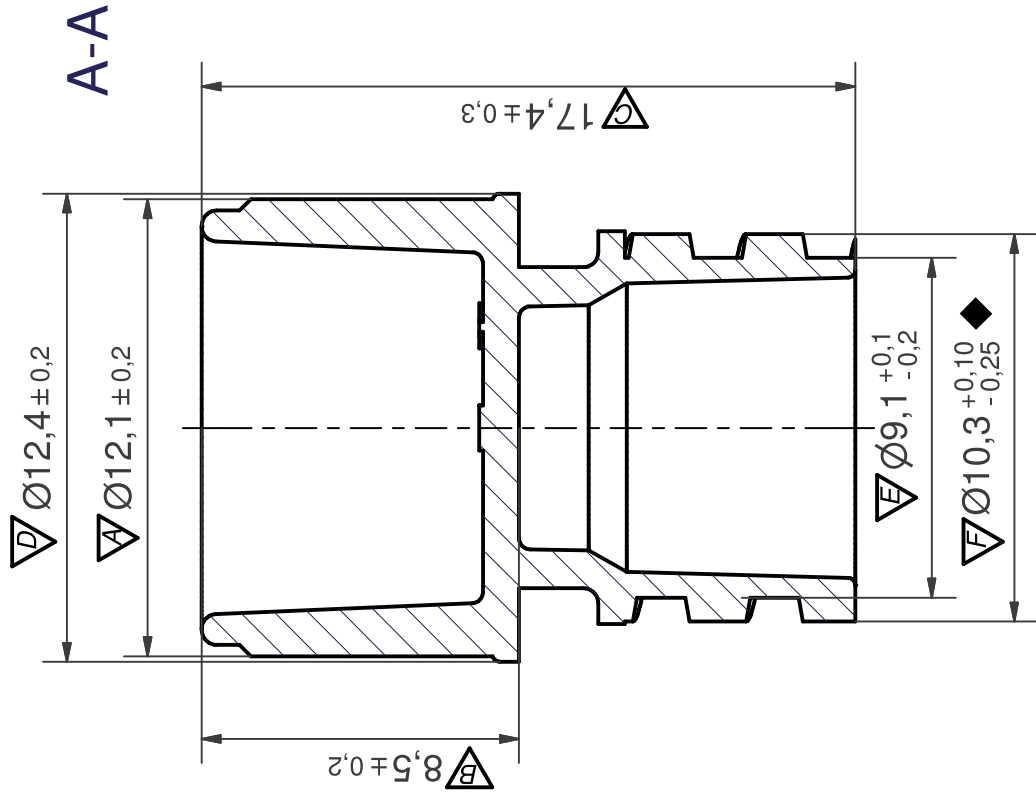
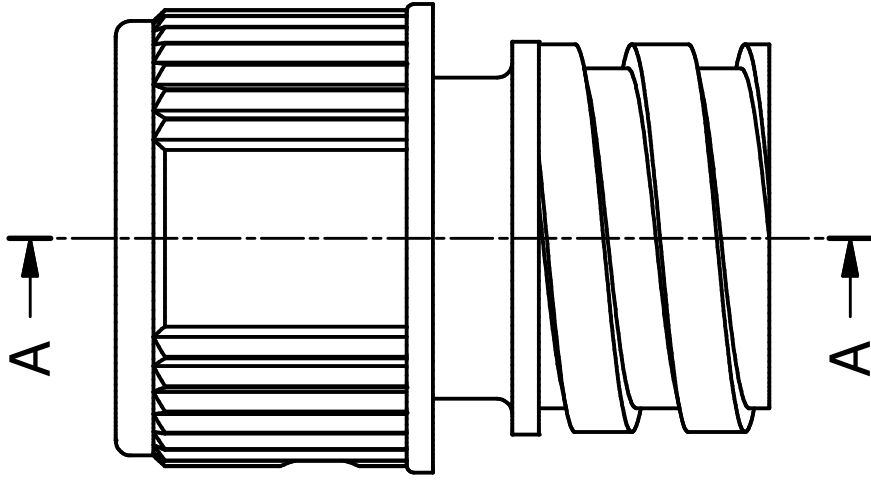
Undefined radius: R 0.2 mm  
 Tolerances unless otherwise specified:  
 Without decimal:  $\pm 0.5$  mm  
 1 place decimal:  $\pm 0.1$  mm  
 2 place decimal:  $\pm 0.05$  mm

**Thermo Fisher**  
 S C I E N T I F I C

Nunc A/S · Kamstrupvej 90 · P.O.Box 280  
 DK-4000 Roskilde · Denmark  
 Tel +45 4631 2000 · Fax +45 4631 2042  
 E-mail: info.nunc@thermofisher.com

[www.thermoscientific.com](http://www.thermoscientific.com)

SUBJECT: Cryotube 4,5 ml, round bottom, int. thread	DRAWN BY/DATE: PBE/2011-07-08	CHANGE ORDER NO.: CO-3989	VALID FROM: 2011-10-20	APPROVED BY/DATE: ROSKGA 2011-10-12	FORMAT: A4
	ITEM NUMBER:	MATERIAL: PP	DRAWING NO.: 2551	VERSION: 10-a	PAGE TYPE: -C
				SCALE: 2:1	METRIC First Angle Projection 



**Thermo Fisher**  
S C I E N T I F I C

Nunc A/S · Kamstrupvej 90 · P.O.Box 280  
DK-4000 Roskilde · Denmark  
Tel +45 4631 2000 · Fax +45 4631 2042  
E-mail: info.nunc@thermofisher.com

www.thermoscientific.com

Tolerances unless otherwise specified:  
Without decimal:  $\pm 0.5$  mm  
1 place decimal:  $\pm 0.1$  mm  
2 place decimal:  $\pm 0.05$  mm

SUBJECT:		Stopper for cryotube int. thread	
DRAWN BY/DATE:	CHANGE ORDER NO.:	VALID FROM:	APPROVED BY/DATE:
PBE/31.05.11	CO-3989	2011-07-07	ROSPSI 2011-07-04
ITEM NUMBER:	MATERIAL:	DRAWING NO.:	VERSION:
	PP	2308	10-a
FORMAT:		SCALE:	PAGE TYPE:
A4		5:1	-C
METRIC		FIRST ANGLE PROJECTION	