

A-A ( 3 : 1 )

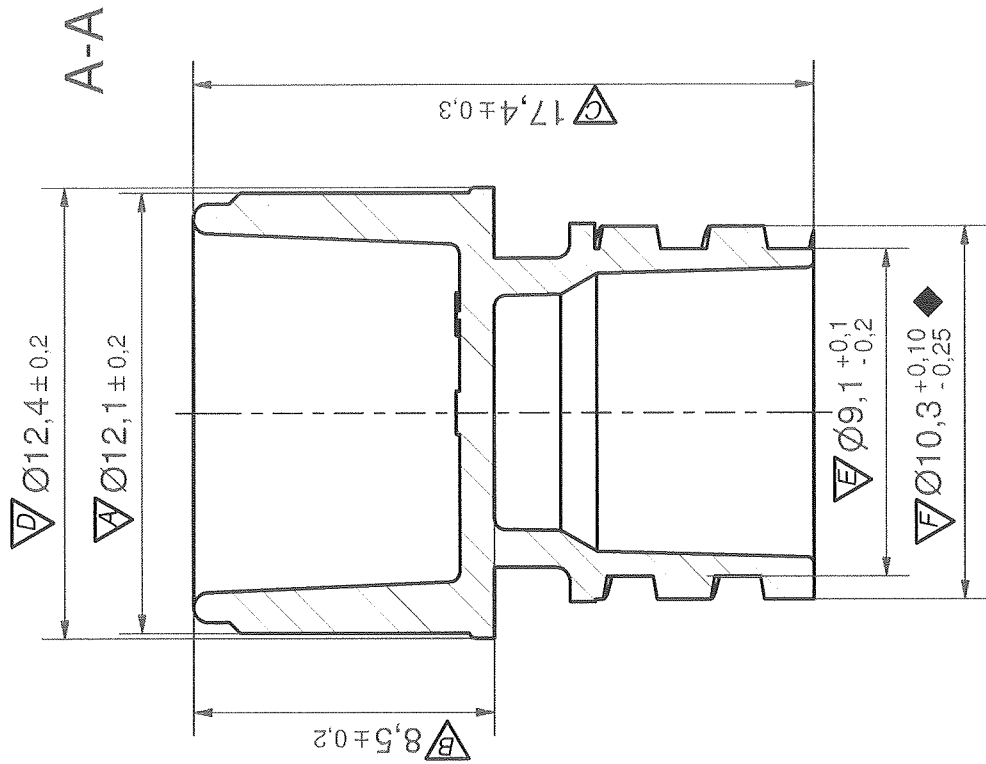
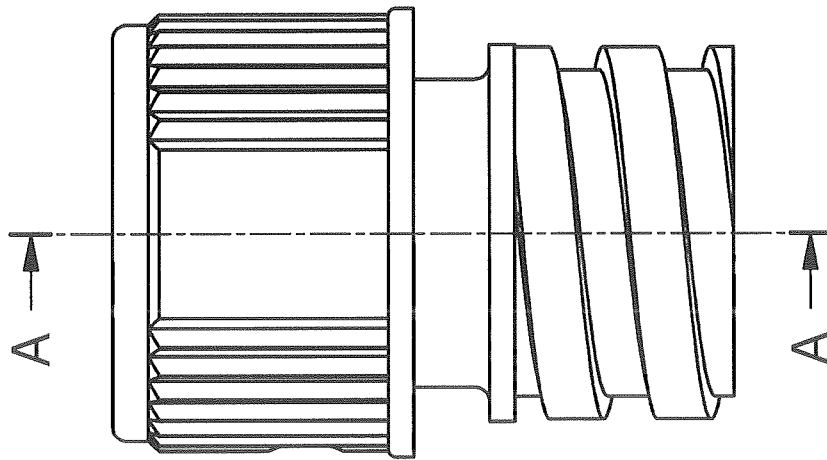
Undefined radius: R 0.2 mm  
 Tolerances unless otherwise specified:  
 Without decimal: ±0.5 mm  
 1 place decimal: ±0.1 mm  
 2 place decimal: ±0.05 mm

**Thermo Fisher**  
 S C I E N T I F I C

Nunc A/S · Kamstrupvej 90 · P.O.Box 280  
 DK-4000 Roskilde · Denmark  
 Tel +45 4631 2000 · Fax +45 4631 2042  
 E-mail: info.nunc@thermofisher.com

[www.thermoscientific.com](http://www.thermoscientific.com)

SUBJECT: Cryotube 1,8 ml, starfoot int. thread	DRAWN BY/DATE: PBE/31-05-11	CHANGE ORDER NO.: CO-4626	VALID FROM: 2012-10-12	APPROVED BY/DATE:	FORMAT: A4
	ITEM NUMBER: -	MATERIAL: PP	DRAWING NO.: 2231	VERSION: 11-b	PAGE TYPE: -C
				SCALE: 3:1	METRIC First Angle Projection



**Thermo Fisher**  
S C I E N T I F I C

Nunc A/S · Kamstrupvej 90 · P.O.Box 280  
DK-4000 Roskilde · Denmark  
Tel +45 4631 2000 · Fax +45 4631 2042  
E-mail: info.nunc@thermofisher.com

www.thermoscientific.com

Tolerances unless otherwise specified:  
Without decimal:  $\pm 0.5$  mm  
1 place decimal:  $\pm 0.1$  mm  
2 place decimal:  $\pm 0.05$  mm

SUBJECT:  
Stopper for cryotube  
int. thread

DRAWN BY/DATE:  
PBE/31.05.11

CHANGE ORDER NO.:  
CO-3989

VALID FROM:  
2011-07-07

APPROVED BY/DATE:  
ROPSJ 2011-07-04

FORMAT:  
A4

ITEM NUMBER:  
PP

MATERIAL:  
PP

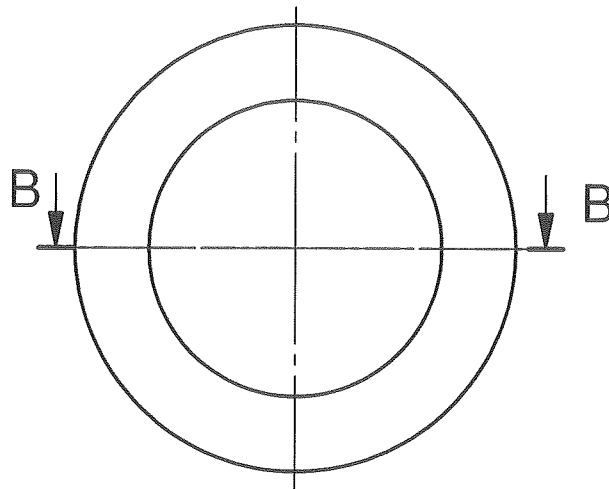
DRAWING NO.:  
2308

VERSION:  
10-a

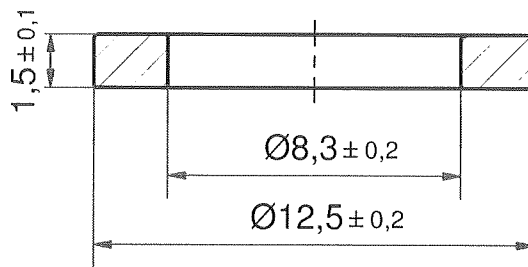
PAGE TYPE:  
-C

SCALE:  
5:1

METRIC  
Product of  
ThermoFisher



B-B ( 5 : 1 )



Undefined radius: R 0.2 mm  
 Tolerances unless otherwise specified:  
 Without decimal:  $\pm 0.5$  mm  
 1 place decimal:  $\pm 0.1$  mm  
 2 place decimal:  $\pm 0.05$  mm

**Thermo Fisher**  
 S C I E N T I F I C

Nunc A/S · Kamstrupvej 90 · P.O.Box 280  
 DK-4000 Roskilde · Denmark  
 Tel +45 4631 2000 · Fax +45 4631 2042  
 E-mail: info.nunc@thermofisher.com

[www.thermoscientific.com](http://www.thermoscientific.com)

SUBJECT: Silicone gasket for cryotube	DRAWN BY/DATE: AVG/2007-02-04	CHANGE ORDER NO.: CO-3989	VALID FROM: 2011-07-07	APPROVED BY/DATE: ROSPSI 2011-07-04	FORMAT: A4
	ITEM NUMBER:	MATERIAL: Sil. rubber	DRAWING NO.: 1812	VERSION: 10-a	PAGE TYPE: -C