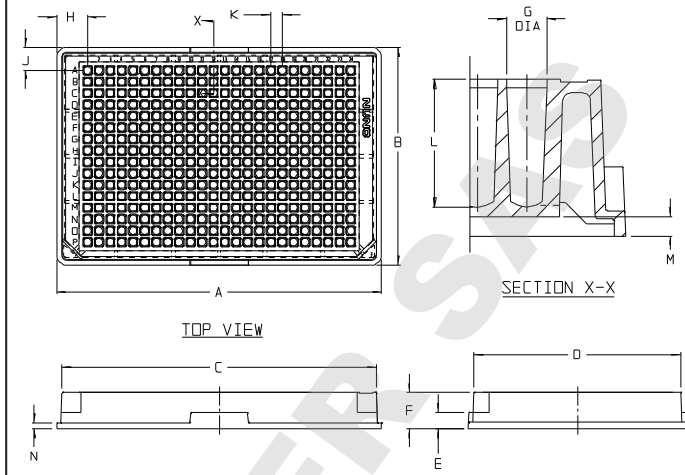


CATALOG NUMBER.....	SEE BELOW	
NOM. CAP. (uL).....	120	
MATERIAL.....	PP	
	INCH	MM
A (BASE LENGTH).....	5.03	127.8
B (BASE WIDTH).....	3.37	85.5
C (TOP LENGTH).....	4.87	123.7
D (TOP WIDTH).....	3.20	81.3
E (PINCH BAR HEIGHT).....	0.25	6.4
F (OVERALL HEIGHT).....	0.57	14.4
G (WELL WIDTH).....	0.15	3.7
H (A-1 LOCATION) (X).....	0.48	12.2
J (A-1 LOCATION) (Y).....	0.35	8.9
K (WELL-TO-WELL SPACING).....	0.18	4.5
L (WELL DEPTH).....	0.46	11.7
M (BOTTOM OF WELL DISTANCE).....	0.07	1.8
N (FLANGE SHORT SIDE).....	0.10	2.5

CATALOG NUMBER	SURFACE	COLOR	STERILE	WITH LID	UNITS/PK/CASE
264573	NON-TREATED	NATURAL	NO	NO	20/120
264574	NON-TREATED	NATURAL	YES	NO	20/120
264575	NON-TREATED	WHITE	NO	NO	20/120
264576	NON-TREATED	BLACK	NO	NO	20/120
240182	NON-TREATED	BLACK	YES	NO	20/120
264579	NON-TREATED	BLUE	NO	NO	20/120

NOTES:

1. ALL DIMENSIONS ARE NOMINAL AND IN INCHES AND MILLIMETERS UNLESS OTHERWISE NOTED.
2. THIS IS NOT A PRODUCTION DRAWING, BUT IS FOR INFORMATIONAL PURPOSES ONLY, AND IS SUBJECT TO CHANGE WITHOUT NOTICE.



SPECS ON BACK

NOT TO SCALE

CONFIDENTIAL

THIS PRODUCT SPECIFICATION SHEET CONTAINS CONFIDENTIAL AND/OR PROPRIETARY INFORMATION AND IS TO BE USED ONLY FOR THE EXPRESSED PURPOSES AGREED UPON BY AN AUTHORIZED OFFICER OF THERMO FISHER SCIENTIFIC.

ThermoFisher
SCIENTIFIC

Thermo Fisher Scientific
75 Panorama Creek Drive
Rochester, NY 14625-2385, USA

DATE	JDD	APP'D	PVC	PSS 2645XX	REV.
CHK'D	RDR	6-8-05			0505

DESCRIPTION: 384 WELL, PP, ROUND BOTTOM PLATE

DOMINIQUE DUTY