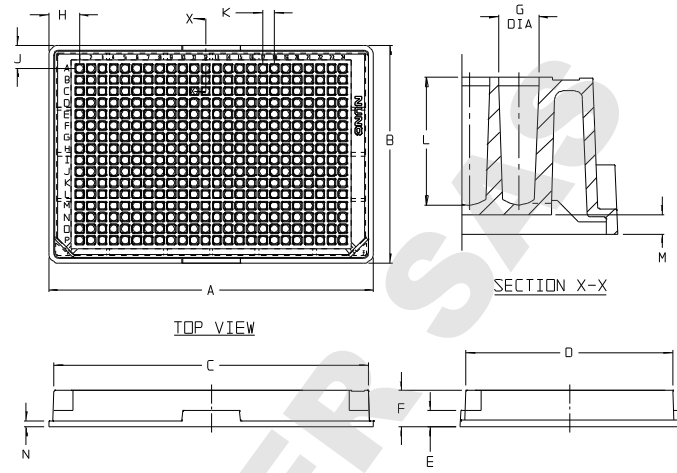


CATALOG NUMBER.....	SEE BELOW	
NOM. CAP. (uL).....	120	
MATERIAL.....	PP	
	INCH	MM
A (BASE LENGTH).....	5.03	127.8
B (BASE WIDTH).....	3.37	85.5
C (TOP LENGTH).....	4.87	123.7
D (TOP WIDTH).....	3.20	81.3
E (PINCH BAR HEIGHT).....	0.25	6.4
F (OVERALL HEIGHT).....	0.57	14.4
G (WELL WIDTH).....	0.15	3.7
H (A-1 LOCATION) (X).....	0.48	12.2
J (A-1 LOCATION) (Y).....	0.35	8.9
K (WELL-TO-WELL SPACING).....	0.18	4.5
L (WELL DEPTH).....	0.46	11.7
M (BOTTOM OF WELL DISTANCE).....	0.07	1.8
N (FLANGE SHORT SIDE).....	0.10	2.5

CATALOG NUMBER	SURFACE	COLOR	STERILE	WITH LID	UNITS/PK/CASE
264573	NON-TREATED	NATURAL	NO	NO	20/120
264574	NON-TREATED	NATURAL	YES	NO	20/120
264575	NON-TREATED	WHITE	NO	NO	20/120
264576	NON-TREATED	BLACK	NO	NO	20/120
240182	NON-TREATED	BLACK	YES	NO	20/120
264579	NON-TREATED	BLUE	NO	NO	20/120

NOTES:

1. ALL DIMENSIONS ARE NOMINAL AND IN INCHES AND MILLIMETERS UNLESS OTHERWISE NOTED.
2. THIS IS NOT A PRODUCTION DRAWING, BUT IS FOR INFORMATIONAL PURPOSES ONLY, AND IS SUBJECT TO CHANGE WITHOUT NOTICE.



SPECS ON BACK

NOT TO SCALE

CONFIDENTIAL

THIS PRODUCT SPECIFICATION SHEET CONTAINS CONFIDENTIAL AND/OR PROPRIETARY INFORMATION AND IS TO BE USED ONLY FOR THE EXPRESSED PURPOSES AGREED UPON BY AN AUTHORIZED OFFICER OF THERMO FISHER SCIENTIFIC.

**ThermoFisher**  
**SCIENTIFIC**

Thermo Fisher Scientific  
75 Panorama Creek Drive  
Rochester, NY 14625-2385, USA

DATE: JDD	APP'D: PVC	PSS 2645XX	REV: 0505
CHK'D: RDR	6-8-05		

DESCRIPTION: 384 WELL, PP, ROUND BOTTOM PLATE

DOMINIQUE DUTY