

## User Guide

# Deep Well Collar

## Accessory for the MultiScreen<sup>®</sup><sub>HTS</sub> Vacuum Manifold

The deep well collar is designed to accommodate the use of 2 mL deep well collection plates with MultiScreen<sup>®</sup> Deep Well Solvinert<sup>™</sup> filter plates on the MultiScreen<sup>®</sup><sub>HTS</sub> Vacuum Manifold. For collection plates handling other volumes, contact Technical Service.

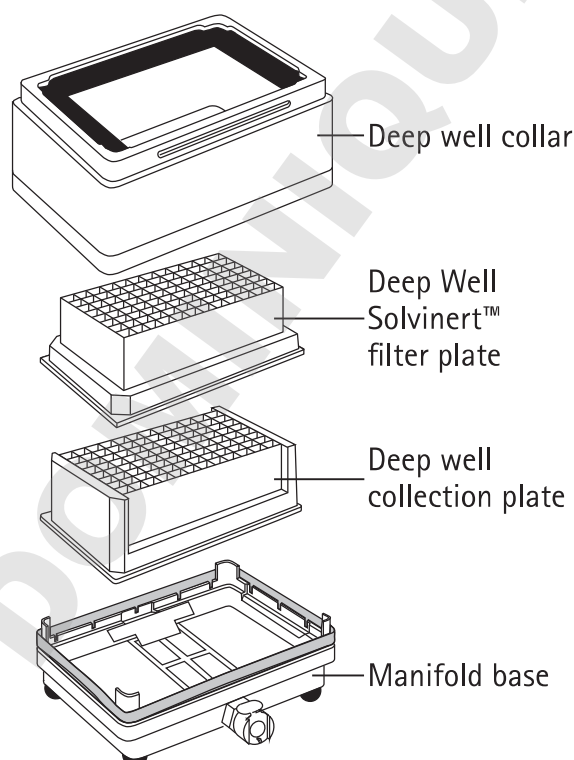
### Manifold Configurations for Use with the Deep Well Collar

The figures below show how to set up the MultiScreen<sup>®</sup><sub>HTS</sub> Vacuum Manifold for both filtrate collection (DirectStack<sup>™</sup> mode) and filter-to-waste applications.

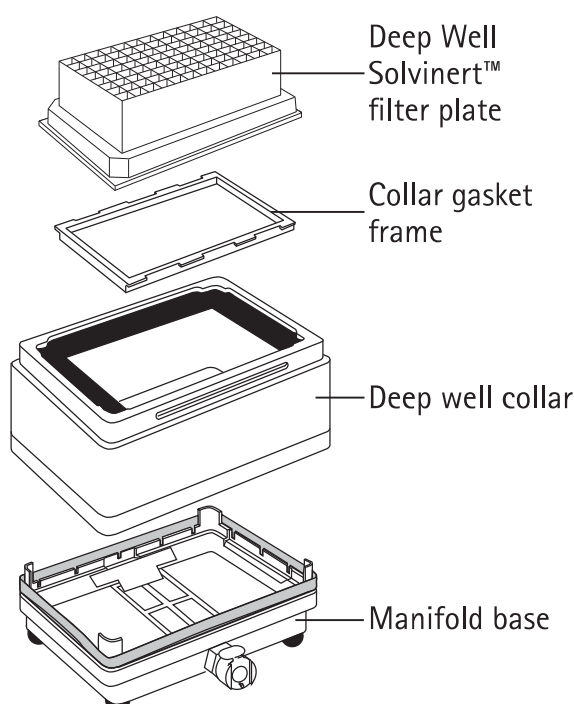
**NOTE:** Remove the collar gasket frame when running in Direct Stack<sup>™</sup> mode.

Ensure that the collar gasket frame is in place for filter-to-waste mode.

#### DirectStack<sup>™</sup> mode



#### Filter-to-waste mode



## Specifications

Chemical compatibility for the Deep Well Collar can be found in publication number PR4772EN, available at [www.millipore.com](http://www.millipore.com) (enter the publication number in the search box). The compatibility is the same as for the Standard Collar.

### Materials of construction

Deep well collar	Nylon
Gasket	Silicone

### Deep well collar dimensions

length × width × height  
15.0 cm × 10.9 cm × 6.9 cm  
(5.9 in. × 4.3 in. × 2.7 in.)

Assembled height of manifold with deep well collar in place 8.6 cm (3.4 in.), excluding plate and feet

## Product Ordering Information

This section lists the catalogue numbers for the Deep Well Collar and associated products for use with the MultiScreen<sup>®</sup><sub>HTS</sub> Vacuum Manifold. See the Technical Assistance section for contact information. You can purchase these products on-line at [www.millipore.com/products](http://www.millipore.com/products).

Description	Cat. No.	Qty/Pk
Deep Well Collar	MSVMHTS0D	1
MultiScreen <sup>®</sup> <sub>HTS</sub> Vacuum Manifold	MSVMHTS00	1
MultiScreen <sup>®</sup> Deep Well Solvinert <sup>™</sup> Plate, 0.45 µm, phobic, non-sterile	MDRLN0410	10
MultiScreen <sup>®</sup> Deep Well Solvinert <sup>™</sup> Plate, 0.45 µm, phobic, non-sterile	MDRPNO410	10
MultiScreen <sup>®</sup> Deep Well Solvinert <sup>™</sup> Plate, 0.45 µm, phobic with prefilter, non-sterile	MDRPNP410	10
MultiScreen <sup>®</sup> Deep Well Collection Plate, 96-well, non-sterile	MDCPNM50	50

## Notice

The information in this document is subject to change without notice and should not be construed as a commitment by EMD Millipore Corporation ("Millipore") or an affiliate. Neither EMD Millipore Corporation nor any of its affiliates assumes responsibility for any errors that may appear in this document.

## Technical Assistance

For more information, contact the office nearest you. In the U.S., call 1-800-221-1975. Outside the U.S., go to our web site at [www.millipore.com/offices](http://www.millipore.com/offices) for up-to-date worldwide contact information. You can also visit the tech service page on our web site at [www.millipore.com/techservice](http://www.millipore.com/techservice).

## Standard Warranty

The applicable warranty for the products listed in this publication may be found at [www.millipore.com/terms](http://www.millipore.com/terms) ("Conditions of Sale").

The M logo, Millipore, and MultiScreen are registered trademarks of Merck KGaA, Darmstadt, Germany. DirectStack and Solvinert are trademarks of Merck KGaA.

© 2014 EMD Millipore Corporation. Billerica, MA, U.S.A. All rights reserved.

P36537, Rev. A, 12/14

DOMINIQUE DUTSCHER SAS

**iM**