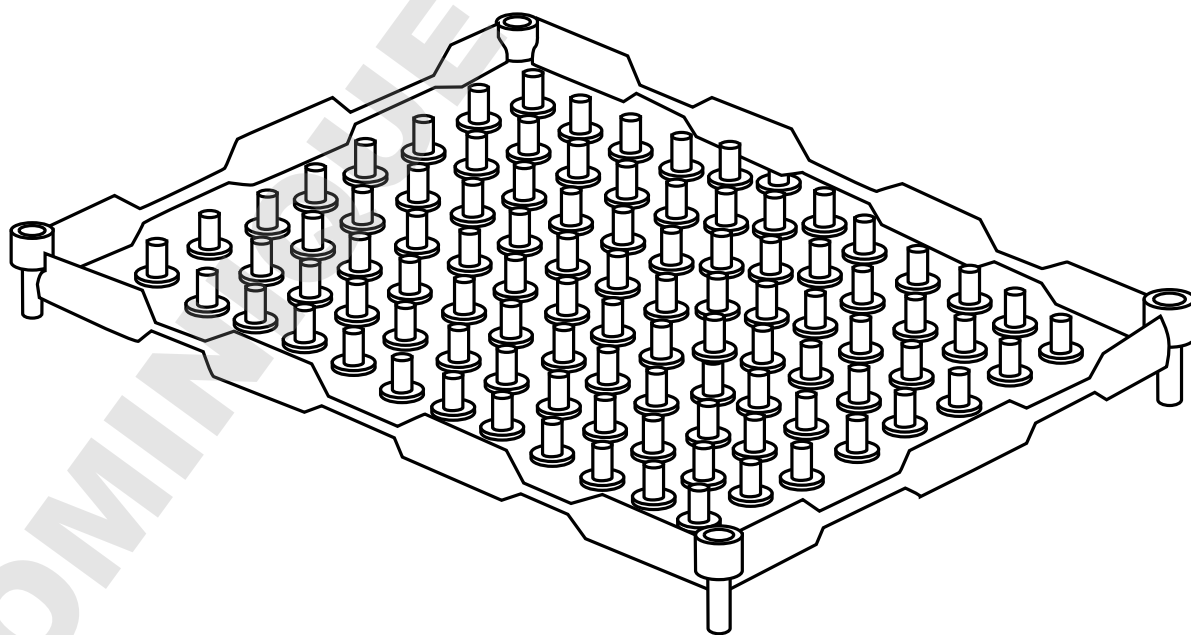


User Guide

MultiScreen[®] Assay System

Disposable Punch Tips Assembly

- MADP 196 10 (10/pk)
- MADP 196 50 (50/pk)



MILLIPORE

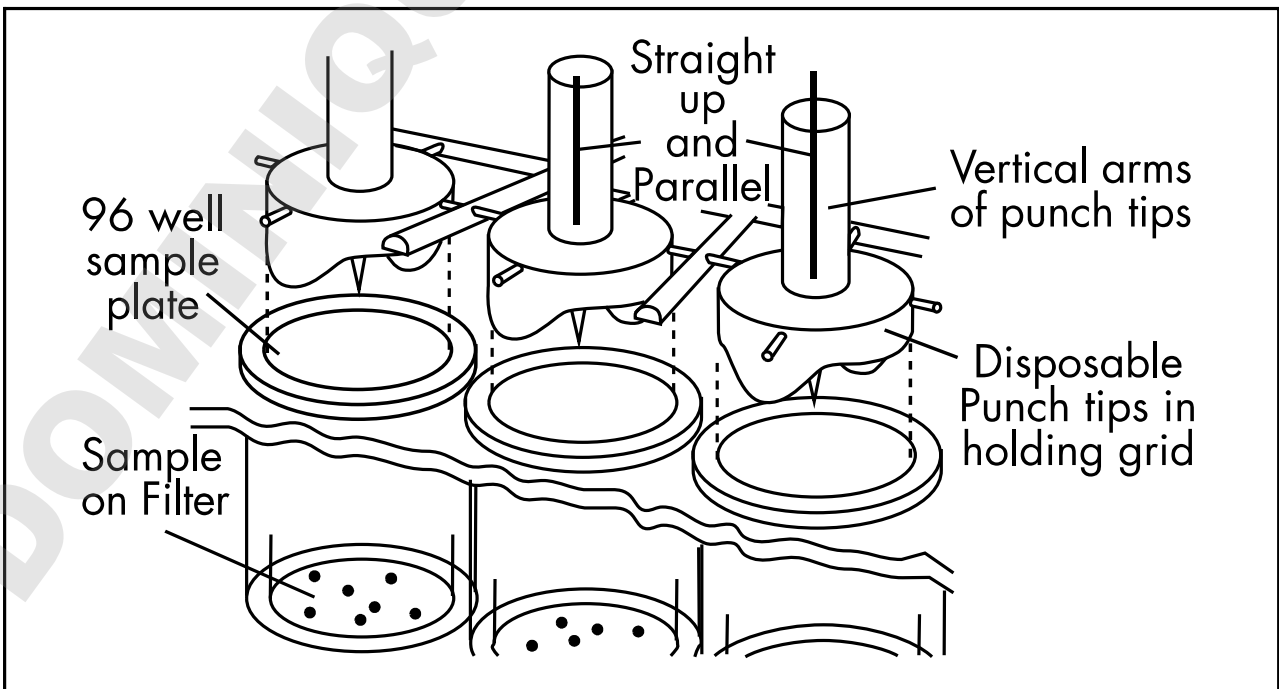
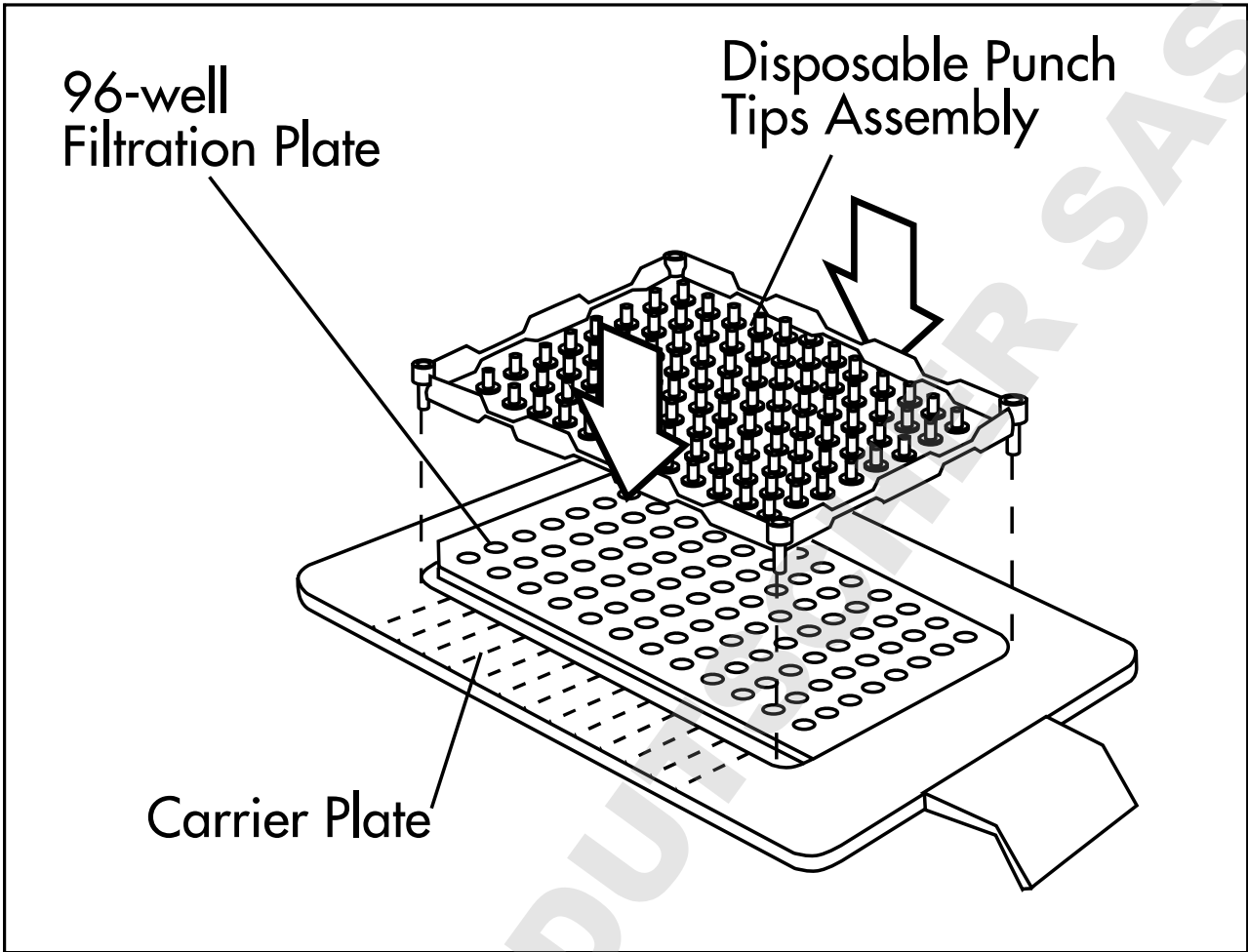
Disposable Punch Tips Assembly

Each 8 by 12 array of disposable punch tips is positioned directly on top of any Millipore disposable 96-well filtration plate. This array is, in turn, installed on the MultiScreen multiple punch carrier plate as shown.

A single punch operation removes one row of eight membrane/tip combinations. These sample combinations then pass through the multiple punch assembly distributor into eight storage containers.

The punch operation is repeated until the 12 rows of eight have been removed from the MultiScreen 96-well filtration plate.

CAUTION: Make sure the vertical arms of the disposable punch tips are parallel to one another, are not damaged, and are perpendicular to the plane of the disposable punch tips assembly pistons (disks).



Technical Assistance

For details, see the operating and maintenance manual supplied with the Millipore MultiScreen Assay System multiple punch assembly and/or vacuum manifold.

For more information, contact the Millipore office nearest you. In the U.S., call **1-800-MILLIPORE** (1-800-645-5476). Outside the U.S., see your Millipore catalogue for the phone number of the office nearest you or go to our web site at www.millipore.com/offices for up-to-date worldwide contact information.

Standard Warranty

Millipore Corporation (“Millipore”) warrants its products will meet their applicable published specifications when used in accordance with their applicable instructions for a period of one year from shipment of the products.

MILLIPORE MAKES NO OTHER WARRANTY, EXPRESSED OR IMPLIED.

THERE IS NO WARRANTY OF MERCHANTABILITY OR FITNESS FOR A PARTICULAR PURPOSE.

The warranty provided herein and the data, specifications and descriptions of Millipore products appearing in Millipore’s published catalogues and product literature may not be altered except by express written agreement signed by an officer of Millipore. Representations, oral or written, which are inconsistent with this warranty or such publications are not authorized and if given, should not be relied upon.

In the event of a breach of the foregoing warranty, Millipore's sole obligation shall be to repair or replace, at its option, the applicable product or part thereof, provided the customer notifies Millipore promptly of any such breach. If after exercising reasonable efforts, Millipore is unable to repair or replace the product or part, then Millipore shall refund to the customer all monies paid for such applicable product or part. **MILLIPORE SHALL NOT BE LIABLE FOR CONSEQUENTIAL, INCIDENTAL, SPECIAL OR ANY OTHER DAMAGES RESULTING FROM ECONOMIC LOSS OR PROPERTY DAMAGE SUSTAINED BY ANY CUSTOMER FROM THE USE OF ITS PRODUCTS.**

PR02324 Rev. A, 01/07

Millipore and MultiScreen are registered trademarks of Millipore Corporation.