

# MultiScreen<sup>®</sup> Assay System

## Centrifuge Alignment Frame

### User Guide

- MACF09604 — For aqueous systems, 4 pk.



## Introduction

The Centrifuge Alignment Frame “locks” the MultiScreen® 96-well filtration plates to most other 96-well microtiter plates during centrifugation procedures. Although not all microtiter plates have exactly the same dimensions, the Centrifuge Alignment Frame assures that no relative movement occurs in the centrifuge. Proper plate alignment is crucial if you are to achieve quantitative filtration collection. This frame is reusable until damaged by handling or contact with unsuitable solutions.

## How to Use the Centrifuge Alignment Frame

1. Complete the loading of all reagents into the MultiScreen filtration plate.
2. Place the centrifuge frame on the filtrate receiver plate.
3. Place the 96-well filtration plate on the centrifuge frame. Cover.
4. Place assemblies in pairs in centrifuge, being certain to balance centrifuge.

## How to Separate the Components after Centrifugation

Always remove the MultiScreen plate from the Centrifuge Alignment Frame before separating the Centrifuge Alignment Frame from the filtrate receiver plate.

1. Place a fingernail or other thin device between the Centrifuge Alignment Frame and the bottom of the MultiScreen plate underdrain **BEFORE** lifting up the MultiScreen plate.
2. Remove the frame from the filtrate receiver plate.

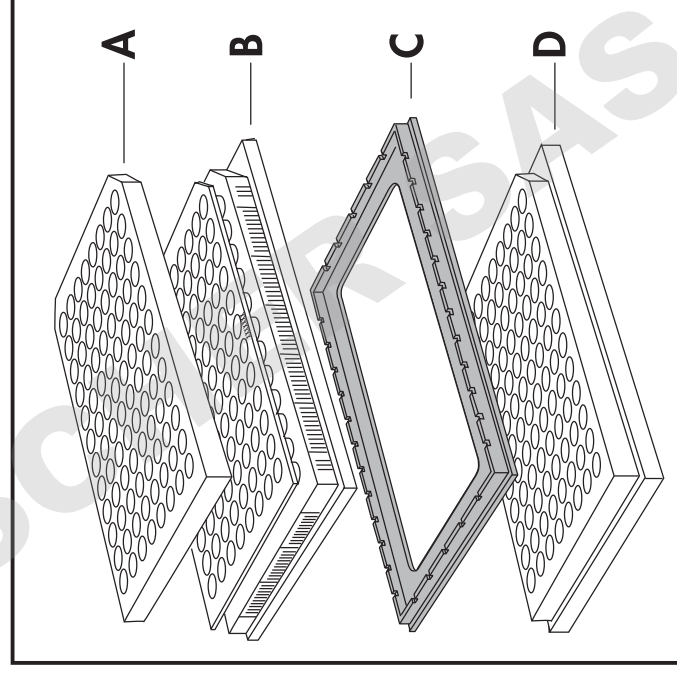
## Diagram of Centrifuge Alignment Frame Assembly

**A** — Cover

**B** — MultiScreen Filtration Plate  
*All MultiScreen filtration plates fit the frame. Underdrain MUST be on the plate.*

**C** — Centrifuge Alignment Frame  
*Use only for aqueous solutions.*

**D** — Filtrate Receiver Plate  
*Can be any 96-well plate, regular or conical wellled.*



## Technical Assistance

For more information, contact the Millipore office nearest you. In the U.S., call 1-800-MILLIPORE (1-800-645-5476). Outside the U.S., see your Millipore laboratory catalogue for the phone number of the office nearest you. Or, look us up on the Internet at our World Wide Web site: <http://www.millipore.com/multiscreen>.

© 2008 MILLIPORE CORPORATION. ALL RIGHTS RESERVED. THIS USER GUIDE OR PARTS THEREOF MAY NOT BE REPRODUCED IN ANY FORM WITHOUT THE WRITTEN PERMISSION OF THE PUBLISHERS.

Millipore and MultiScreen are registered trademarks of Millipore Corporation.  
The M mark is a trademark of Millipore Corporation.

PR02732, Rev. B, 05/08

