



User Manual

FinnpiPETTE® F3 Single Channel Variable & Fixed Volume

**Instructions for Use
Bedienungsanleitung
Guide d'utilisation
Instrucciones de uso
取扱説明書**

This product complies with the European Union Directive 98/79/EC, and it is marked with a CE-marking.

When the product is used in applications related to the directive 98/79/EC, read the additional information at www.thermofisher.com or contact the manufacturer at info.pipettes@thermofisher.com to ensure correct and safe use.

The CE-mark covers the system containing the CE-marked Finnpiquette F3 pipette and the CE-marked Finntips.

Product specifications are subject to change without prior notice. Finnpiquette® and Finntip® are registered trademarks of Thermo Fisher Scientific Oy.

Dieses Produkt entspricht der Europäischen Richtlinie 98/79/EG und ist mit dem CE-Symbol gekennzeichnet.

Sollte das Produkt in Anwendungen verwendet werden, die in Verbindung zur Direktive 98/79/EC stehen, lesen Sie die Zusatzinformationen auf www.thermofisher.com oder kontaktieren Sie den Hersteller unter info.pipettes@thermofisher.com, um die richtige und sichere Verwendung zu gewährleisten.

Die CE-Kennzeichnung bezieht sich auf die Kombination der Finnpiquette F3 mit Finntip-Pipettenspitzen.

Wir behalten uns das Recht auf unangekündigte Änderungen der Produktspezifikationen vor. Finnpiquette® und Finntip® sind eingetragene Warenzeichen der Fa. Thermo Fisher Scientific Oy.

Ce produit est conforme à la directive de l'Union européenne 98/79/CE et porte le marquage CE.

Lorsque le produit est utilisé pour des applications relatives à la directive 98/79/EC, veuillez prendre connaissance des informations complémentaires à www.thermofisher.com ou contacter le constructeur à info.pipettes@thermofisher.com. Ceci pour garantir un usage adéquat et sûr.

Le marquage CE s'applique au système comprenant la Finnpiquette F3 et les cônes Finntip.

Les spécifications du produit sont sujettes à modification sans avis préalable. Finnpiquette® et Finntip® sont des marques déposées de Thermo Fisher Scientific Oy.

Este producto cumple la Directiva de la Unión Europea 98/79/CE y presenta el marcado CE. Cuando el producto sea usado en aplicaciones afectadas por la directiva 98/79/EC, por favor, lea la información adicional en www.thermofisher.com o contacte con el fabricante en info.pipettes@thermofisher.com para asegurar su uso correcto y seguro.

El marcado CE corresponde al sistema que contiene la pipeta Finnpiquette F3 con el marcado CE y las puntas de pipeta Finntip con marcado CE.

Las especificaciones del producto pueden cambiar sin previo aviso. Finnpiquette® y Finntip® son marcas registradas de Thermo Fisher Scientific Oy.

本製品は欧州指令98/79/ECに準拠しており、CEマーキングが付いています。製品を指令98/79/ECに関連するアプリケーションで使用するときは、適切で安全にご使用いただくため、www.thermofisher.com に掲載の追加情報をお読みになるか、製造元 info.pipettes@thermofisher.com にお問い合わせください。

CEマークは、CEマークの付いた Finnpiquette F3ピペットおよびCEマークの付いた Finntipピペットチップを含むシステムを対象としています。

製品仕様は事前の予告なく変更されることがあります。フィンピペット®とフィンチップ®は、サーモフィッシャーサイエンティフィックの登録商標です。

English	CONTENTS	
	PRODUCT DESCRIPTION	4
	PACKAGE	4
	SAFETY	5
	PIPETTE OPERATION	6
	PIPETTING TECHNIQUES	6
	CALIBRATION AND ADJUSTMENT	7
	MAINTENANCE	10
	TROUBLE SHOOTING	12
	SPARE PARTS	53-56

Deutsch	INHALT	
	PRODUKTBESCHREIBUNG	13
	PACKUNGSINHALT	14
	SICHERHEIT	14
	PIPETTENFUNKTION	15
	PIPETTIERMETHODEN	15
	KALIBRIERUNG UND JUSTIERUNG	17
	WARTUNG	20
	FEHLERBEHEBUNG	22
	ERSATZTEILE UND ZUBEHÖR	53-56

Français	SOMMAIRE	
	DESCRIPTION DU PRODUIT	23
	CONDITIONNEMENT	23
	CONSIGNES DE SÉCURITÉ	24
	UTILISATION DE LA PIPETTE	25
	MÉTHODES DE PIPETAGE	25
	CALIBRAGE	26
	ENTRETIEN	29
	EN CAS DE PROBLEME	31
	PIÈCES DÉTACHÉES	53-56

Español	CONTENIDO	
	DESCRIPCIÓN DEL PRODUCTO	32
	PAQUETE	33
	SEGURIDAD	33
	USO DE LA PIPETA	34
	TÉCNICAS DE PIPETEO	34
	CALIBRACIÓN Y AJUSTE	36
	MANTENIMIENTO	39
	SOLUCIÓN DE PROBLEMAS	41
	PIEZAS DE RECAMBIO	53-56

日本語	目次	
	製品について	42
	パッケージ	42
	安全にお使いいただくために	43
	ピペットの操作	44
	ピペッティングテクニック	44
	キャリブレーション	45
	メンテナンス	48
	トラブルシューティング	49
	保証規定	51
パーツ及び付属品	53-56	

Product description

The Finnpiquette F3 is a continuously adjustable, general purpose micropipette for sampling and dispensing accurate liquid volumes.

It operates on an air displacement principle (i.e. an air interface) and uses detachable, disposable tips. The adjusted delivery volume is displayed digitally on a readout window in the handle.

The twelve different models of Finnpiquette F3 pipettes cover a volume range from 0.2 μl to 10 ml.

Order No.	Volume Range	Color code	Finntip
4640110	0,2 μl to 2 μl	pink	Flex 10, 10, 20, 50
4640000	1 μl to 10 μl	pink	Flex 10, 10, 20, 50
4640010	1 μl to 10 μl	yellow	Flex 200, 250 Univ., 200 Ext, 300, Flex 300
4640020	2 μl to 20 μl	turquoise	50
4640030	2 μl to 20 μl	yellow	Flex 200, 250 Univ., 200 Ext, 300, Flex 300
4640080	5 μl to 50 μl	turquoise	50
4640090	5 μl to 50 μl	yellow	Flex 200, 250 Univ., 200 Ext, 300, Flex 300
4640040	10 μl to 100 μl	yellow	Flex 200, 250 Univ., 200 Ext, 300, Flex 300
4640050	20 μl to 200 μl	yellow	Flex 200, 250 Univ., 200 Ext, 300, Flex 300
4640060	100 μl to 1000 μl	blue	Flex 1000, 1000, 1000 Ext
4640100	0,5 ml to 5 ml	green	5 ml
4640070	1 ml to 10 ml	red	10 ml, Flex 10 ml Ext

The eleven different models of Finnpiquette F3 Fixed Volume pipettes cover a volume range from 1 μl to 10 ml.

Order No.	Volume Range	Color code	Finntip
4650000	1 μl	dark blue	Flex 10, 10, 20, 50
4650010	5 μl	dark blue	Flex 10, 10, 20, 50
4650020	10 μl	dark blue	Flex 200, 250 Univ., 200 Ext, 300, Flex 300
4650090	20 μl	dark blue	Flex 200, 250 Univ., 200 Ext, 300, Flex 300
4650030	25 μl	dark blue	Flex 200, 250 Univ., 200 Ext, 300, Flex 300
4650040	50 μl	dark blue	Flex 200, 250 Univ., 200 Ext, 300, Flex 300
4650050	100 μl	dark blue	Flex 200, 250 Univ., 200 Ext, 300, Flex 300
4650100	200 μl	dark blue	Flex 200, 250 Univ., 200 Ext, 300, Flex 300
4650060	250 μl	dark blue	Flex 1000, 1000, 1000 Ext
4650070	500 μl	dark blue	Flex 1000, 1000, 1000 Ext
4650080	1000 μl	dark blue	Flex 1000, 1000, 1000 Ext

Digital display

The adjusted delivery volume is clearly indicated in the large digital display on the handle.



Raw materials

The Finnpiquette F3 is made of mechanically durable and chemically resistant materials. The tip cone modules can be repeatedly autoclaved at 121°C.

Description of tips

Finntips are recommended for use with the Finnpiquette F3.

They are made of virgin natural colour polypropylene, generally regarded as the only contamination free material suitable for tips. Finntips are also autoclavable (121°C).

Package

The Finnpiquette F3 is shipped in a specially designed package containing the following items:

1. The Finnpiquette
2. Service tool
3. Finntip sample
4. Bag of grease 1g (**Order No. 3300200**)
5. Instruction manual
6. Calibration certificate / Warranty certificate
7. Shelf hanger (**Order No. 2206040**)
8. Two stickers

Cautions are marked with this symbol .

Intended use

The intended use of the device is to transfer liquids in the volume range of 0,2 µl to 10 ml. The F3 Finnpiquette pipette and Finntips are designed as a component of an analyzing system for an end user, who is responsible for validating the system to ensure reliable and safe results.

Damage to health

- ▶ Follow general procedures for hazard prevention and safety instructions; e.g. wear protective clothing, eye protection and gloves.
- ▶ For use and waste disposal of hazardous (e.g. radioactive and potentially infectious) material, follow the safety instructions and general laboratory practice.
- ▶ The pipette and tips are not intended for in vivo use. Do not use the pipette for pipetting any liquid to be injected into a human body.
- ▶ Do not eject the tip towards anybody.

The Finnpiquette F3 is to be used by trained personnel with required laboratory skills. The instructions for use must be read prior to and during the use of the device (pipette and tip). The F3 pipette can be used between +4°C and +40°C.

Incorrect dispensing results

- ▶ Performance may vary due to:
 - a. pipetting method (forward pipetting technique recommended)
 - b. temperature (air, liquid, vessel, pipette, and tip)
 - c. pressure
 - d. humidity
 - e. operator, e.g. thumb movement, pipetting angle
 - f. liquid density, viscosity and vapor pressure
 - g. type of tip
- ▶ If the pipetting performance is critical to the outcome of a specific application, the result has to be assured with an alternative test, and if this is not an option, by duplicate testing. The possibility of an incorrect volume delivery during pipetting cannot be entirely mitigated.
- ▶ To avoid inaccurate dispensing and/or leakage, check that the tip is properly attached to the pipette.
- ▶ When rotating the volume adjustment button, do not exceed the volume range of the pipette. Otherwise the pipette may be damaged or affect pipetting performance.
- ▶ Pipetting performance cannot be guaranteed if the tip is reused.
- ▶ Choose only a tip and pipette with matching color coding.

Disposal of the Materials

Follow laboratory and country-specific procedures for the disposal of biohazardous or radioactive waste. Refer to local regulations for the disposal of infectious material.

Warning The tips can be potentially infectious. Dispose of all used disposable tips as biohazardous waste.

Warning Decontaminate the pipette before disposal.

Waste disposal according to local instructions taking into account legislation in place. For more information, please contact us at info.pipettes@thermofisher.com or your local Thermo Fisher Scientific representative.

Regarding the original packaging and packing materials, use the recycling operators known to you.

Pipette operation

Setting the delivery volume

1. Set the delivery volume using the push button on the top of the pipette. To increase the delivery volume, turn the push button counterclockwise. To decrease the delivery volume, turn it clockwise.
2. Make sure that the desired delivery volume clicks into place.
3. Do not set volumes outside the pipette's specified volume range. Using excessive force to turn the push button outside the range may jam the mechanism and eventually damage the pipette.

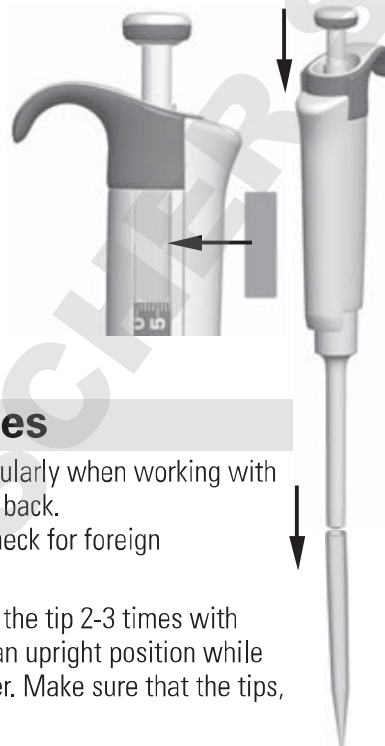


Safety Label

You can mark the pipette application, your initials, the calibration date, etc. on the safety label. Remove the old label with a sharp needle. Mark the new label with a pencil and slide the label back in place.

Tip ejection

To help eliminate the risk of contamination, each pipette is fitted with a tip ejector system. To release the tip, point the pipette at suitable waste receptacle and press the tip ejector with your thumb.



Pipetting techniques

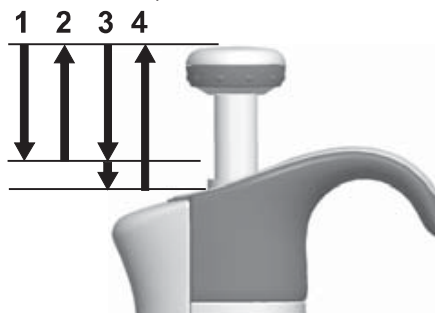
Push and release the push button slowly at all times particularly when working with high viscosity liquids. Never allow the push button to snap back. Make sure that the tip is firmly attached to the tip cone. Check for foreign particles in the tip.

Before you begin your actual pipetting work, fill and empty the tip 2-3 times with the solution that you will be pipetting. Hold the pipette in an upright position while aspirating liquid. The grippy should rest on your index finger. Make sure that the tips, pipette and solution are at the same temperature.

Forward technique

Fill a clean reagent reservoir with the liquid to be dispensed.

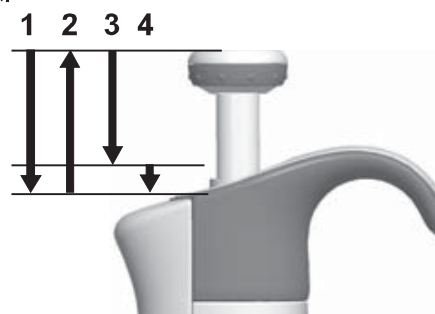
1. Depress the push button to the first stop.
2. Dip the tip under the surface of the liquid in the reservoir to a depth of about 1 cm and slowly release the push button. Withdraw the tip from the liquid touching it against the edge of the reservoir to remove excess liquid.
3. Deliver the liquid by gently depressing the push button to the first stop. After a delay of about one second, continue to depress the push button all the way to the second stop. This action will empty the tip.
4. Release the push button to the ready position. If necessary, change the tip and continue pipetting.



Reverse technique

The reverse technique is suitable for dispensing liquids that have a high viscosity or a tendency to foam easily. The technique is also recommended for dispensing very small volumes. Fill a clean reagent reservoir with the liquid to be dispensed.

1. Depress the push button all the way to the second stop.
2. Dip the tip under the surface of the liquid in the reservoir to a depth of about 1 cm, and slowly release the push button. This action will fill the tip. Withdraw the tip from the liquid touching it against the edge of the reservoir to remove excess liquid.

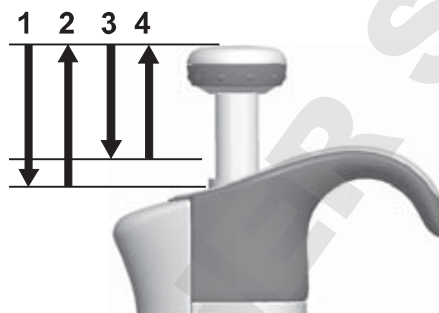


3. Deliver the preset volume by gently depressing the push button to the first stop. Hold the push button at the first stop. Some liquid will remain in the tip and this should not be included in the delivery.
4. The remaining liquid should either be discarded with the tip or pipetted back into the container.

Repetitive technique

The repetitive technique offers a rapid and simple procedure for repeated delivery of the same volume. Fill a clean reagent reservoir with the liquid to be dispensed.

1. Depress the push button all the way to the second stop.
2. Dip the tip under the surface of the liquid in the reservoir to a depth of about 1 cm, and slowly release the push button. This action will fill the tip. Withdraw the tip from the liquid touching against the edge of the reservoir to remove excess liquid.
3. Deliver the preset volume by gently depressing the push button to the first stop. Hold the push button at the first stop. Some liquid will remain in the tip and this should not be included in the delivery.
4. Continue pipetting by repeating steps 3 and 4.



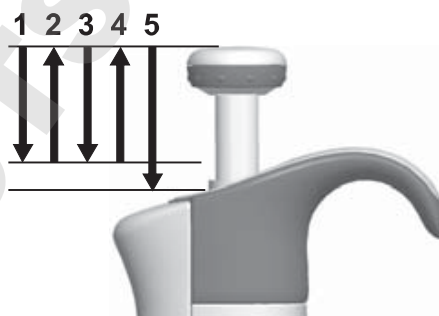
Pipetting of heterogeneous samples

(deproteinization in blood glucose determination, for example)

Use steps 1 and 2 of the forward technique to fill the tip with blood.

Wipe the tip carefully with a dry clean tissue.

1. Immerse the tip into the reagent and depress the push button to the first stop, making sure the tip is well below the surface.
2. Release the push button slowly to the ready position. This will fill the tip. Keep the tip in the solution.
3. Depress the push button to the first stop and release slowly. Keep repeating this procedure until the interior wall of the tip is clear.
4. Finally, depress the push button all the way to the second stop to completely empty the tip.



Calibration and adjustment

All Finnpiettes are factory calibrated and adjusted to give the volumes as specified with distilled or deionized water using the forward pipetting technique. It should be noted that the use of other pipetting techniques may affect the calibration results. The pipettes are constructed to permit re-adjustment for other pipetting techniques or liquids of different temperature and viscosity.

Device requirements and test conditions

An analytical balance must be used. The scale graduation value of the balance should be chosen according to the selected test volume of the pipette:

Volume range	readable graduation
under 10 μl	0.001 mg
10-100 μl	0.01 mg
above 100 μl	0.1 mg

Test liquid: Water, distilled or deionized, "grade 3" water conforming ISO 3696. Tests are done in a draft-free room at a constant ($\pm 0.5^\circ\text{C}$) temperature of water, pipette and air between 15°C to 30°C . The relative humidity must be above 50%. Especially with volumes under 50 μl the air humidity should be as high as possible to reduce the effect of evaporation loss. Special accessories, such as the evaporation trap, are recommended.

Procedure to check calibration

The pipette is checked with the maximum volume (nominal volume) and with the minimum volume. A new tip is first pre-wetted 3-5 times and a series of ten pipettings is done with both volumes. A pipette is always adjusted for delivery (Ex) of the selected volume. Use of forward pipetting technique is recommended. The maximum permissible errors are designed for forward method. It is recommended to calibrate all channels of the multichannel pipette, but a suitable method is also to calibrate only the edge channels. Adjustment check prior calibration is done using one of the middle channels. It is recommended to use the ISO8655 calibration limits presented in the following tables or user-defined specifications.

Procedure:

1. Do 10 pipettings with the minimum volume.
2. Do 10 pipettings with the maximum volume.
3. Calculate the inaccuracy (A) and imprecision (cv) of both series.
4. Compare the results to the limits.

If the calculated results are within the selected limits, the adjustment of the pipette is correct.

ISO8655 calibration specifications

Thermo Scientific Finnpiquette F3 specifications according to ISO8655 standard.

Finnpiquette F3 Variable Volume Single Channel

Range	Volume μl	Inaccuracy		Imprecision	
		μl	%	s.d. μl	cv%
0.2-2 μl	2	± 0.080	± 4	0.040	2.0
	0.2	± 0.080	± 40	0.040	20.0
1-10 μl	10	± 0.120	± 1.2	0.080	0.8
	1	± 0.120	± 12	0.080	8.0
2-20 μl	20	± 0.20	± 1.0	0.10	0.5
	2	± 0.20	± 10.0	0.10	5.0
5-50 μl	50	± 0.50	± 1.0	0.20	0.4
	5	± 0.50	± 10	0.20	4.0
10-100 μl	100	± 0.80	± 0.8	0.30	0.3
	10	± 0.80	± 8.0	0.30	3.0
20-200 μl	200	± 1.60	± 0.8	0.60	0.3
	20	± 1.60	± 8.0	0.60	3.0
100-1000 μl	1000	± 8.0	± 0.8	3.0	0.3
	100	± 8.0	± 8.0	3.0	3.0
0.5-5 ml	5000	± 40.0	± 0.8	15.0	0.3
	500	± 40.0	± 8.0	15.0	3.0
1-10 ml	10000	± 60.0	± 0.6	30.0	0.3
	1000	± 60.0	± 6.0	30.0	3.0

Finnpiquette F3 Fixed Volume Single Channel

Fixed Volume μl	Inaccuracy		Imprecision	
	μl	%	s.d. μl	cv%
1	± 0.050	± 5.00	0.050	5.00
5	± 0.125	± 2.50	0.075	1.50
10	± 0.120	± 1.20	0.080	0.80
20	± 0.20	± 1.00	0.10	0.50
25	± 0.50	± 2.00	0.20	0.80
50	± 0.50	± 1.00	0.20	0.40
100	± 0.80	± 0.80	0.30	0.30
200	± 1.6	± 0.80	0.60	0.30
250	± 4.0	± 1.60	1.50	0.60
500	± 4.0	± 0.80	1.50	0.30
1000	± 8.0	± 0.80	3.00	0.30

Manufacturer specification limits

Finnpipette F3 Variable Volume Single Channel

Range	Volume μl	Inaccuracy μl	%	Imprecision s.d. μl	cv%	Factory calibration tip
0.2-2 μ l	2	$\pm 0,050$	$\pm 2,50$	0,040	2,00	Flex 10
	0,2	$\pm 0,024$	$\pm 12,00$	0,020	10,00	
1-10 μ l, micro	10	$\pm 0,100$	$\pm 1,00$	0,050	0,50	Flex 10
	1	$\pm 0,025$	$\pm 2,50$	0,020	2,00	
1-10 μ l	10	$\pm 0,100$	$\pm 1,00$	0,080	0,80	Flex 200
	1	$\pm 0,035$	$\pm 3,50$	0,030	3,00	
2-20 μ l, micro	20	$\pm 0,20$	$\pm 1,00$	0,08	0,40	50
	2	$\pm 0,06$	$\pm 3,00$	0,05	2,50	
2-20 μ l	20	$\pm 0,20$	$\pm 1,00$	0,08	0,40	Flex 200
	2	$\pm 0,06$	$\pm 3,00$	0,05	2,50	
5-50 μ l, micro	50	$\pm 0,30$	$\pm 0,60$	0,15	0,30	50
	5	$\pm 0,15$	$\pm 3,00$	0,125	2,50	
5-50 μ l	50	$\pm 0,30$	$\pm 0,60$	0,15	0,30	Flex 200
	5	$\pm 0,15$	$\pm 3,00$	0,125	2,50	
10-100 μ l	100	$\pm 0,80$	$\pm 0,80$	0,20	0,20	Flex 200
	10	$\pm 0,30$	$\pm 3,00$	0,10	1,00	
20-200 μ l	200	$\pm 1,2$	$\pm 0,60$	0,4	0,20	Flex 200
	20	$\pm 0,36$	$\pm 1,80$	0,14	0,70	
100-1000 μ l	1000	$\pm 6,0$	$\pm 0,60$	2,0	0,20	Flex 1000
	100	$\pm 1,0$	$\pm 1,00$	0,6	0,60	
0,5-5 ml	5000	$\pm 25,0$	$\pm 0,50$	10,0	0,20	5 ml
	500	$\pm 10,0$	$\pm 2,00$	4,0	0,80	
1-10 ml	10000	$\pm 50,0$	$\pm 0,50$	20,0	0,20	10 ml
	1000	$\pm 20,0$	$\pm 2,00$	8,0	0,80	

Finnpipette F3 Fixed Volume Single Channel

Fixed Volume μl	Inaccuracy μl	%	Imprecision s.d. μl	cv%	Factory calibration tip
1	$\pm 0,040$	$\pm 4,00$	0,040	4,00	Flex 10
5	$\pm 0,070$	$\pm 1,40$	0,070	1,40	Flex 10
10	$\pm 0,090$	$\pm 0,90$	0,080	0,80	Flex 200
20	$\pm 0,14$	$\pm 0,70$	0,10	0,50	Flex 200
25	$\pm 0,15$	$\pm 0,60$	0,125	0,50	Flex 200
50	$\pm 0,30$	$\pm 0,60$	0,20	0,40	Flex 200
100	$\pm 0,40$	$\pm 0,40$	0,30	0,30	Flex 200
200	$\pm 0,80$	$\pm 0,40$	0,60	0,30	Flex 200
250	$\pm 1,0$	$\pm 0,40$	0,75	0,30	Flex 1000
500	$\pm 1,5$	$\pm 0,30$	1,5	0,30	Flex 1000
1000	$\pm 3,0$	$\pm 0,30$	3,0	0,30	Flex 1000

Adjustment

Adjustment is done only for one volume. The recommended adjustment volume is the minimum volume or 10% of the maximum volume.

1. Place the service tool into the openings of the calibration nut at the top of the handle.
2. Turn the service tool clockwise to increase, or counterclockwise to decrease the volume.
3. After adjustment check the calibration according to the instructions above.



Formulas for calculating results

Conversion of mass to volume

$$V = (w + e) \times Z$$

V = volume (μl)
 w = weight (mg)
 e = evaporation loss (mg)
 Z = conversion factor for $\mu\text{l}/\text{mg}$ conversion

Evaporation loss can be significant with low volumes. To determine mass loss, dispense water to the weighing vessel, note the reading and start a stopwatch. See how much the reading decreases during 30 seconds (e.g. 6 mg = 0.2 mg/s).

Compare this to the pipetting time from taring to reading. Typically pipetting time might be 10 seconds and the mass loss is 2 mg (10 s x 0.2 mg/s) in this example. If an evaporation trap or lid on the vessel is used the correction of evaporation is usually unnecessary.

The factor Z is for converting the weight of the water to volume at test temperature and pressure. A typical value is 1.0032 $\mu\text{l}/\text{mg}$ at 22°C and 95 kPa. See the conversion table on page 52.

Inaccuracy (systematic error)

Inaccuracy is the difference between the dispensed volume and the selected volume of a pipette.

$$A = \bar{V} - V_0$$

A = inaccuracy
 \bar{V} = mean volume
 V_0 = nominal volume

Inaccuracy can be expressed as a relative value: $A\% = 100\% \times A / V_0$

Imprecision (random error)

Imprecision refers to the repeatability of the pipettings. It is expressed as standard deviation (s) or coefficient of variation (cv)

$$S = \sqrt{\frac{\sum_{i=1}^n (V_i - \bar{V})^2}{n-1}}$$

s = standards deviation
 \bar{v} = mean volume
 n = number of measurements

Standard deviation can be expressed as a relative value (CV) $CV = 100\% \times S / \bar{V}$

Maintenance

When the Finnpiquette F3 is not in use, make sure it is stored in an upright position. We recommend a Finnpiquette stand for this purpose.

The part # refer to exploded views beginning at page 53.

Short-term service

The pipette should be checked at the beginning of each day for dust and dirt on the outside surfaces of the pipette.

Particular attention should be paid to the tip cone. No other solvents except 70 % ethanol should be used to clean the pipette.

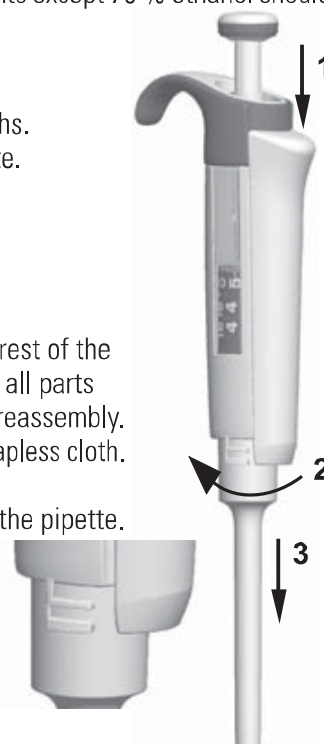
Long-term maintenance

If the pipette is used daily it should be checked every three months.

The servicing procedure starts with the disassembly of the pipette.

1-1000 μl pipettes

1. Press the tip ejector.
2. Rotate the tip ejector 11 counterclockwise and pull it out.
3. Turn out the tip cone counterclockwise with the service tool.
4. Pull out the piston and other parts. Push out with piston the rest of the piston assembly. Then turn the tip cone upside down and tap all parts from tip cone. Remember keep all parts in order on table for reassembly.
5. Clean the piston, the piston spring and the O-rings with a dry napless cloth.
6. Check the tip cone for foreign particles.
7. Grease the cleaned parts with the lubricant that comes with the pipette.
8. Reassemble the pipette components.



0.2-2µl & 1-10 µl: First, slide spring 22, o-ring support 23 and o-ring 24 on the tube 21. With the 0.2-2µl model insert the tube 27 into the tube 21. Then slide the spring 13, spring support 16 and tubes 17 and 18, bigger o-ring 19 and smaller o-ring 20 back on the piston. Compress the spring with fingers by pressing piston and spring support 16 against each other and slide the tube 21 with rest of the parts on the piston. Hold the spring compressed and carefully slide the entire assembly into the tip cone and release the spring.

2-20 µl & 5-50 µl: Slide the spring 13, spring support 16 and tubes 17 and 18, bigger o-ring 19 and smaller o-ring 20 back on the piston. Compress the spring with fingers by pressing piston and spring support 16 against each other and slide the bigger o-ring 19, smaller o-ring 20, spring support 21 and the spring 22 (smaller diameter against spring support 21) on the piston. Hold the spring compressed and carefully slide the entire assembly into the tip cone and release the spring.

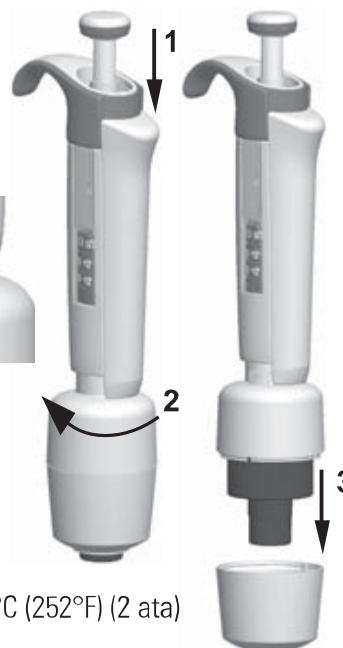
10-100 µl & 20-200 µl: Slide the spring 13, spring support 16 and o-ring 17 back on the piston. Slide the entire assembly into the tip cone.

100-1000 µl: Put the o-ring 17 and support ring 16 to the tip cone. Slide the spring 13 on the piston and slide the entire assembly into the tip cone.

- All:** Put the spring 15 and support 14 on top of the tip cone and carefully insert the tip cone assembly to the handle. Attach the tip cone by turning it first clockwise tight by hand, then do the final tightening with the service tool.
- Reassemble the tip ejector.

0.5-5 ml & 1-10 ml pipettes

- Press the tip ejector.
- Rotate the tip ejector 10 counterclockwise to open it.
- Disassemble the lower part of the tip ejector 14 (snap fitting).
- Turn the cylinder 13 counterclockwise and pull out the tip cone assembly.
- Remove the cylinder 13 by pressing the snaps fittings of the cylinder.
- Clean and regrease the O-ring 12 and cylinder 13.
- Assemble the parts in the opposite order of disassembly.



Sterilization

The tip cone module can be sterilized by autoclaving it at 121°C (252°F) (2 ata) for 20 minutes. You can use steam sterilization bags if needed.

After autoclaving the module must be cooled to room temperature for at least two hours. Before pipetting, make sure that the module is dry. We recommend that you check the calibration after every sterilization cycle.

Trouble shooting

The table below lists possible problems and their solutions.

Defect	Possible reason	Solution
<i>Leakage</i>	<i>Tip incorrectly attached</i> <i>Foreign particles between tip and tip cone</i> <i>Foreign particles between the piston, the O-ring and the cylinder</i> <i>Insufficient amount of grease on cylinder and O-ring</i> <i>O-ring damaged</i>	<i>Attach firmly</i> <i>Clean tip cones attach new tips</i> <i>Clean and grease O-ring and cylinder.</i> <i>Grease accordingly</i> <i>Change the O-ring</i>
<i>Inaccurate dispensing</i>	<i>Incorrect operation</i> <i>Tip incorrectly attached</i> <i>Calibration altered: caused by misuse, for example</i> <i>Tip cone loose</i>	<i>Follow instructions carefully</i> <i>Attach firmly</i> <i>Recalibrate according to instructions</i> <i>Tighten the tip cone with the service tool.</i>
<i>Inaccurate dispensing with certain liquids</i>	<i>Unsuitable calibration</i> <i>High viscosity liquids may require recalibration</i>	<i>Recalibrate with the liquids in question</i>

CAUTION!

The Finnpiquette is designed to allow easy in-lab service. If you would prefer to have us or your local representative service your pipette, please make sure that the pipette has been decontaminated before you send it to us.

Please note that the postal authorities in your country may prohibit or restrict the shipment of contaminated material by mail.

Produktbeschreibung

Finnpipette F3 ist eine stufenlos einstellbare Mehrzweck-Mikropipette zur Entnahme und Ausgabe genauer Flüssigkeitsmengen.

Sie funktioniert auf der Basis des Luftverdrängungsprinzips (d. h. einer Luftschnittstelle) und verwendet abnehmbare Einwegspitzen.

Das einstellbare Ablaufvolumen wird in einer digitalen Anzeige am Griff dargestellt.

Die zwölf Pipettenmodelle von Finnpipette F3 umfassen einen Volumenbereich von 0.2 µl bis 10 ml.

Bestellnr.	Volumen	Farbcode	Finntip
4640110	0,2 µl bis 2 µl	rosa	Flex 10, 10, 20, 50
4640000	1 µl bis 10 µl	rosa	Flex 10, 10, 20, 50
4640010	1 µl bis 10 µl	gelb	Flex 200, 250 Univ., 200 Ext, 300, Flex 300
4640020	2 µl bis 20 µl	turquoise	50
4640030	2 µl bis 20 µl	gelb	Flex 200, 250 Univ., 200 Ext, 300, Flex 300
4640080	5 µl bis 50 µl	turquoise	50
4640090	5 µl bis 50 µl	gelb	Flex 200, 250 Univ., 200 Ext, 300, Flex 300
4640040	10 µl bis 100 µl	gelb	Flex 200, 250 Univ., 200 Ext, 300, Flex 300
4640050	20 µl bis 200 µl	gelb	Flex 200, 250 Univ., 200 Ext, 300, Flex 300
4640060	100 µl bis 1000 µl	blau	Flex 1000, 1000, 1000 Ext
4640100	0,5 ml bis 5 ml	grün	5 ml
4640070	1 ml bis 10 ml	rot	10 ml, Flex 10 ml Ext

Die elf Pipettenmodelle von Finnpipette F3 Fixed Volume umfassen einen Volumenbereich von 1 µl bis 10 ml.

Bestellnr.	Volumen	Farbcode	Finntip
4650000	1 µl	dunkelblau	Flex 10, 10, 20, 50
4650010	5 µl	dunkelblau	Flex 10, 10, 20, 50
4650020	10 µl	dunkelblau	Flex 200, 250 Univ., 200 Ext, 300, Flex 300
4650090	20 µl	dunkelblau	Flex 200, 250 Univ., 200 Ext, 300, Flex 300
4650030	25 µl	dunkelblau	Flex 200, 250 Univ., 200 Ext, 300, Flex 300
4650040	50 µl	dunkelblau	Flex 200, 250 Univ., 200 Ext, 300, Flex 300
4650050	100 µl	dunkelblau	Flex 200, 250 Univ., 200 Ext, 300, Flex 300
4650100	200 µl	dunkelblau	Flex 200, 250 Univ., 200 Ext, 300, Flex 300
4650060	250 µl	dunkelblau	Flex 1000, 1000, 1000 Ext
4650070	500 µl	dunkelblau	Flex 1000, 1000, 1000 Ext
4650080	1000 µl	dunkelblau	Flex 1000, 1000, 1000 Ext

Digitalanzeige

Die einstellbare Ablaufmenge ist in der großen digitalen Anzeige am Griff zu sehen.



Materialien

Die Finnpipette F3 wird aus mechanisch dauerhaften und chemisch beständigen Materialien hergestellt.

Die Module des Spitzenkegels können wiederholt bei 121°C autoklaviert werden.

Beschreibung der Spitzen

Für die Verwendung mit der Finnpipette F3 werden Finntips empfohlen.

Sie bestehen aus neuem, naturfarbenem Polypropylen, dem allgemein einzigen nicht kontaminierenden Material, das für Spitzen geeignet ist. Finntips sind ebenfalls autoklavierbar (121°C).

Packung

Die Finnpipette F3 wird in einer speziell konzipierten Verpackung transportiert und enthält die folgenden Bestandteile:

1. Die Finnpipette
2. Werkzeug
3. Spitze Finntip
4. Tasche Schmiermittel 1g (**Bestellnr. 3300200**)
5. Anleitungshandbuch
6. Kalibrierungszertifikat / Garantiezertifikat
7. Hängevorrichtung (**Bestellnr. 2206040**)
8. Zwei Etiketten

Sicherheit

Warnungen sind mit diesem Symbol gekennzeichnet: 

Vorgesehener Verwendungszweck

Die vorgesehene Verwendung des Produkts ist die Übertragung von Flüssigkeiten in Volumina von 0,2 µl bis 10 ml.

Die Finnpipette F3 Pipette und die Finntips sind als Komponenten eines Analysesystems konzipiert. Der Endbenutzer ist für die Validierung des Systems und die Sicherstellung korrekter Ergebnisse verantwortlich.



Gesundheitsgefahren

- ▶ Halten Sie die allgemeinen Sicherheitsvorschriften ein und tragen Sie angemessene Schutzkleidung einschließlich Schutzbrille und -handschuhen.
- ▶ Befolgen Sie bei der Entsorgung von Gefahrgut (z.B. radioaktive oder potentiell infektiöse Substanzen) die Sicherheitsvorschriften und Laborregeln.
- ▶ Die Pipette und ihre Spitzen sind nicht für In-vivo-Untersuchungen geeignet. Verwenden Sie die Pipette niemals zum Injizieren von Flüssigkeiten in den menschlichen Körper.
- ▶ Richten Sie die Pipette nicht auf Personen, wenn Sie die Spitze auswerfen.

Die Finnpipette F3 darf nur von geschultem Personal verwendet werden, das über entsprechende Laborpraxis verfügt. Vor und während der Verwendung von Pipette und Spitze unbedingt die Gebrauchsanleitung lesen! Die zulässige Betriebstemperatur der F3 liegt zwischen +4°C und +40°C.



Falsche Dispensierergebnisse

- ▶ Mögliche Gründe für Abweichungen:
 - a. Pipettiermethode (Direktmodus empfohlen)
 - b. Temperatur (Luft, Flüssigkeit, Pipette und Spitze).
 - c. Druck
 - d. Feuchtigkeit
 - e. Bediener (z.B. Daumenbewegung, Pipettierwinkel)
 - f. Flüssigkeitsdichte, Viskosität und Dampfdruck
 - g. Art der Spitze
- ▶ Wenn die Pipettierleistung für die medizinische Diagnose entscheidend ist, muss das Ergebnis des Diagnosetests durch einen weiteren Test verifiziert werden, möglichst in alternativem Verfahren. Die Möglichkeit eines inkorrekten Ablaufvolumens beim Pipettieren kann nicht völlig ausgeschlossen werden.
- ▶ Um Fehler und/oder Leckagen zu verhindern, vergewissern Sie sich, dass die Spitze korrekt an der Pipette befestigt ist.
- ▶ Überschreiten Sie beim Drehen des Volumenreglers nicht den zulässigen Maximalwert. Andernfalls kann die Pipette Schaden nehmen oder ungenaue Ergebnisse produzieren.
- ▶ Für wiederverwendete Pipettenspitzen wird keine Leistungsgarantie übernommen.
- ▶ Die Farbcodierung von Pipette und Spitze muss übereinstimmen.

Entsorgung der Materialien

Befolgen Sie bei der Entsorgung biologischen Gefahrguts und radioaktiver Abfälle sowohl die laborspezifischen als auch die nationalen Vorschriften. Beachten Sie außerdem die örtlichen Vorschriften für die Entsorgung infektiösen Materials.

Warnung Die Proben können ansteckende Keime enthalten. Entsorgen Sie alle Einwegspitzen als biologisches Gefahrgut.

Warnung Dekontaminieren Sie die Pipette vor der Entsorgung.

Für Informationen zur Abfallentsorgung wenden Sie sich bitte an Ihre örtliche Umweltbehörde. Für nähere Informationen wenden Sie sich bitte an info.pipettes@thermofisher.com.

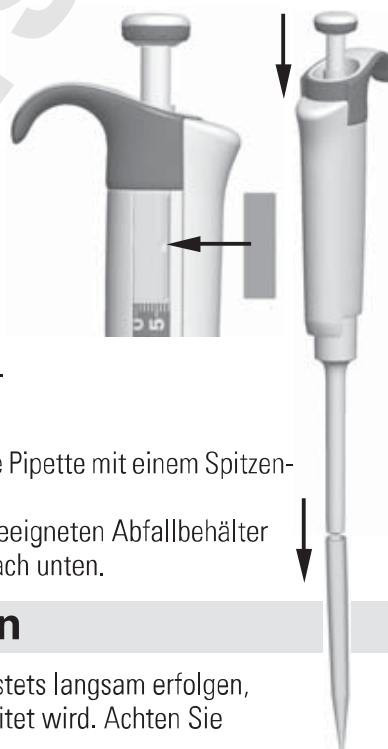
Bitte führen Sie die Originalverpackung und das darin enthaltene Verpackungsmaterial sachgerechtem Recycling zu.

Weitere Informationen erhalten Sie bei Ihrer örtlichen Vertretung von Thermo Fisher Scientific.

Pipettenfunktion

Einstellen der Ablaufmenge

1. Die Ablaufmenge wird mit dem Bedienungsknopf am oberen Ende der Pipette eingestellt. Um die Ablaufmenge zu erhöhen, drehen Sie den Bedienungsknopf gegen den Uhrzeigersinn. Um die Ablaufmenge zu verringern, drehen Sie den Bedienungsknopf im Uhrzeigersinn.
2. Achten Sie darauf, dass die gewünschte Ziffernanzeige einrastet.
3. Stellen Sie keine Mengen außerhalb des spezifizierten Volumenbereichs der Pipette ein. Durch das gewaltsame Drehen des Bedienungsknopfes außerhalb des Bereichs kann der Mechanismus beschädigt und die Pipette unbrauchbar werden.



Sicherheitsetikette

Sie können den Verwendungszweck der Pipette, Ihre Initialen, das Kalibrierungsdatum etc. auf der Sicherheitsetikette angeben. Entfernen Sie die alte Etikette mit einer spitzen Nadel. Beschriften Sie die neue Etikette mit einem Stift und schieben Sie sie an ihren Platz.

Auswerfen der Spitze

Um die Gefahr einer Kontamination auszuschließen, ist jede Pipette mit einem Spitzen-Auswurfsystem ausgestattet.

Um die Spitze zu lösen, halten Sie die Pipette über einen geeigneten Abfallbehälter und drücken Sie den Spitzenauswerfer mit dem Daumen nach unten.

Pipettiermethoden

Das Drücken und Loslassen des Bedienungsknopfes muss stets langsam erfolgen, insbesondere wenn mit hochviskosen Flüssigkeiten gearbeitet wird. Achten Sie darauf, dass der Bedienungsknopf nie zurückschnappt.

Stellen Sie sicher, dass die Spitze fest in der Spitzenhalterung sitzt. Kontrollieren Sie die Spitze auf Fremdkörper.

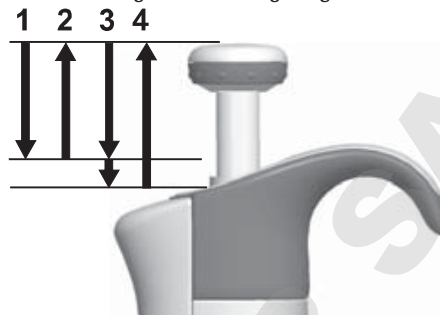
Bevor Sie mit dem Pipettieren beginnen, füllen und entleeren Sie die Spitze 2 - 3 Mal mit der Lösung, die Sie pipettieren wollen. Halten Sie die Pipette beim Ansaugen der Flüssigkeit senkrecht. Ihr Zeigefinger sollte auf dem griffigen Bereich liegen. Achten Sie darauf, dass die Spitze, die Pipette und die Lösung dieselbe Temperatur aufweisen.

Deutsch

Vorwärtsmethode

Füllen Sie ein sauberes Reagenzglas mit der Flüssigkeit, die pipettiert werden soll.

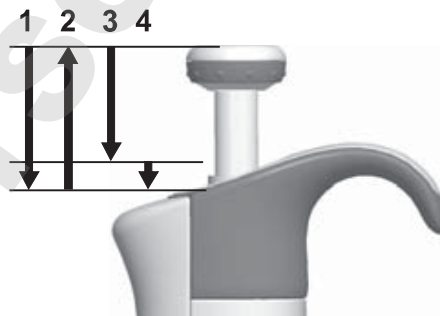
1. Drücken Sie den Bedienungsknopf bis zum ersten Anschlag.
2. Tauchen Sie die Spitze ca. 1 cm unter die Oberfläche der Flüssigkeit im Reagenzglas und lassen Sie den Bedienungsknopf langsam los. Nehmen Sie die Spitze aus der Flüssigkeit, wobei Sie überschüssige Flüssigkeit am Rand des Glases abstreifen.
3. Gießen Sie die Flüssigkeit aus, indem Sie den Bedienungsknopf sanft bis zum ersten Anschlag drücken. Drücken Sie nach etwa einer Sekunde den Bedienungsknopf bis zum zweiten Anschlag ganz hinunter. Dadurch wird die Spitze entleert.
4. Lassen Sie den Bedienungsknopf in die Ausgangsposition zurückgleiten. Wechseln Sie nötigenfalls die Spitze und fahren Sie mit dem Pipettieren fort.



Rückwärtsmethode

Die Rückwärtsmethode ist geeignet für Flüssigkeiten, die eine hohe Viskosität aufweisen oder leicht schäumen. Diese Methode wird auch empfohlen, wenn nur sehr kleine Mengen verteilt werden sollen. Füllen Sie ein sauberes Reagenzglas mit der Flüssigkeit, die pipettiert werden soll.

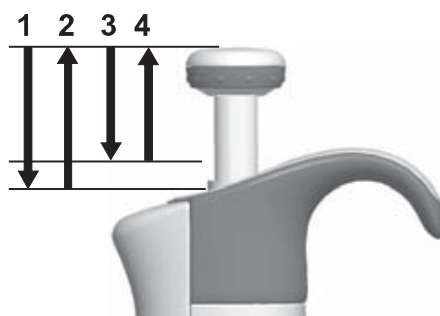
1. Drücken Sie den Bedienungsknopf ganz bis zum zweiten Anschlag hinunter.
2. Tauchen Sie die Spitze ca. 1 cm unter die Oberfläche der Flüssigkeit im Reagenzglas und lassen Sie den Bedienungsknopf langsam los. Dadurch wird die Spitze gefüllt. Nehmen Sie die Spitze aus der Flüssigkeit, wobei Sie überschüssige Flüssigkeit am Rand des Glases abstreifen.
3. Gießen Sie die voreingestellte Menge aus, indem Sie den Bedienungsknopf sanft bis zum ersten Anschlag drücken. Halten Sie den Bedienungsknopf am ersten Anschlag. Etwas Flüssigkeit verbleibt in der Spitze, die nicht ausgegossen werden darf.
4. Die restliche Flüssigkeit wird entweder mit der Spitze entsorgt oder zurück in den Flüssigkeitsbehälter gegossen.



Wiederholungsmethode

Die Wiederholungsmethode bietet eine rasche und einfache Möglichkeit, dasselbe Volumen mehrmals zu dosieren. Füllen Sie ein sauberes Reagenzglas mit der Flüssigkeit, die pipettiert werden soll.

1. Drücken Sie den Bedienungsknopf ganz bis zum zweiten Anschlag hinunter.
2. Tauchen Sie die Spitze ca. 1 cm unter die Oberfläche der Flüssigkeit im Reagenzglas und lassen Sie den Bedienungsknopf langsam los. Dadurch wird die Spitze gefüllt. Nehmen Sie die Spitze aus der Flüssigkeit, wobei Sie überschüssige Flüssigkeit am Rand des Glases abstreifen.
3. Gießen Sie die voreingestellte Menge aus, indem Sie den Bedienungsknopf sanft bis zum ersten Anschlag drücken. Halten Sie den Bedienungsknopf am ersten Anschlag. Etwas Flüssigkeit verbleibt in der Spitze, die nicht ausgegossen werden darf.
4. Fahren Sie mit dem Pipettieren fort, indem Sie die Schritte 3 und 4 wiederholen.



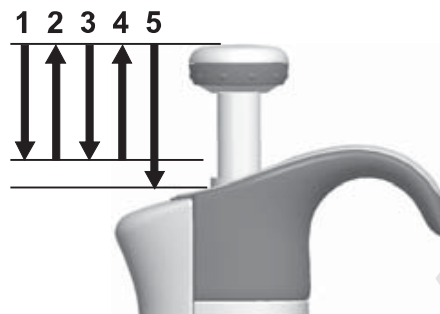
Pipettieren von heterogenen Proben

(z. B. Deproteinisation bei der Bestimmung des Blutzuckers)

Befolgen Sie Schritt 1 und 2 der Vorwärtsmethode, um die Spitze mit Blut zu füllen.

Wischen Sie die Spitze sorgfältig mit einem trockenen, sauberen Tuch ab.

1. Tauchen Sie die Spitze in das Reagenzglas ein und drücken Sie den Bedienungsknopf bis zum ersten Anschlag. Achten Sie dabei darauf, dass die Spitze unter der Oberfläche der Flüssigkeit eingetaucht ist.
2. Lassen Sie den Bedienungsknopf langsam in die Ausgangsposition zurückgleiten. Dadurch wird die Spitze gefüllt. Halten Sie die Spitze weiterhin in der Lösung.
3. Drücken Sie den Bedienungsknopf bis zum ersten Anschlag und lassen Sie ihn langsam aus. Wiederholen Sie diesen Vorgang, bis die Innenwand der Spitze klar ist.
4. Drücken Sie schließlich den Bedienungsknopf ganz hinunter bis zum zweiten Anschlag, um die Spitze vollständig zu entleeren.



Kalibrierung und Justierung

Alle FinnpiPETTEN werden im Werk auf die spezifizierten Mengen an destilliertem oder vollentsalztem Wasser bei Verwendung der Vorwärtsmethode kalibriert und justiert. Beachten Sie, dass die Verwendung anderer Pipettiermethoden die Kalibrierungsergebnisse beeinflussen können. Die Pipetten sind so konzipiert, dass eine erneute Justierung für andere Pipettiermethoden oder Flüssigkeiten vorgenommen werden kann, die eine unterschiedliche Temperatur und Viskosität aufweisen.

Erforderliche Geräte und Prüfbedingungen

Zur Überprüfung wird eine Analysenwaage benötigt. Der Skalenwert der Waage muss entsprechend der gewählten Testmenge der Pipette gewählt werden:

Menge	Skala
unter 10 µl	0,001 mg
10-100 µl	0,01 mg
über 100 µl	0,1 mg

Testflüssigkeit: Destilliertes oder vollentsalztes Wasser der Klasse 3 gemäß ISO 3696. Die Überprüfung wird in einem zugluftfreien Raum bei einer konstanten Temperatur von 15°C bis 30°C ($\pm 0,5^\circ\text{C}$) des Wassers, der Pipette und der Luft durchgeführt. Die relative Luftfeuchtigkeit muss über 50% liegen. Insbesondere bei Mengen unter 50 µl sollte die Luftfeuchtigkeit möglichst hoch sein, um Verdunstungsverluste zu vermeiden. Die Verwendung von Spezialzubehör, z.B. eines Verdunstungsschutzes, wird empfohlen.

Prüfen der Kalibrierung

Die Pipette wird mit der Höchstmenge (Nennvolumen) und der Mindestmenge geprüft. Zuerst wird eine neue Spitze drei- bis fünfmal mit Flüssigkeit durchspült. Dann wird mit beiden Mengen eine Serie von zehn Pipettierungen durchgeführt. Eine Pipette ist stets auf den Ablauf (Ex) der gewählten Menge justiert. Die Verwendung der Vorwärtsmethode wird empfohlen. Die maximal zulässigen Abweichungen beziehen sich auf die Vorwärtsmethode. Es wird empfohlen alle Kanäle einer Mehrkanalpipette zu kalibrieren, hilfsweise können auch nur die Randkanäle kalibriert werden. Anpassungen werden dann mit den mittleren Kanälen vorgenommen. Wir empfehlen die ISO8655 Kalibriergrenzen zu verwenden, wie in nachfolgenden Tabellen aufgeführt. Alternativ können anwenderspezifische Kalibriergrenzen angewendet werden.

Vorgang:

1. Nehmen Sie 10 Pipettierungen mit der Mindestmenge vor.
2. Nehmen Sie 10 Pipettierungen mit der Höchstmenge vor.
3. Berechnen Sie die Ungenauigkeit (A) und die Unpräzision (cv) beider Serien.
4. Vergleichen Sie die Ergebnisse mit den Fehlergrenzen.

Wenn sich die berechneten Werte innerhalb der festgelegten Fehlergrenzen befinden, ist die Kalibrierung der Pipette korrekt.

Kalibrierungsgrenzwerte nach ISO8655

Die Spezifikationen von Thermo Scientific Finnpipette F3 entsprechen ISO8655

Finnpipette F3-Einzelkanalpipette mit variablem Volumen

Bereich	Volumen μl	Ungenauigkeit		Unpräzision	
		μ l	%	s.d. μ l	cv%
0.2-2 μ l	2	± 0.080	± 4	0.040	2.0
	0.2	± 0.080	± 40	0.040	20.0
1-10 μ l	10	± 0.120	± 1.2	0.080	0.8
	1	± 0.120	± 12	0.080	8.0
2-20 μ l	20	± 0.20	± 1.0	0.10	0.5
	2	± 0.20	± 10.0	0.10	5.0
5-50 μ l	50	± 0.50	± 1.0	0.20	0.4
	5	± 0.50	± 10	0.20	4.0
10-100 μ l	100	± 0.80	± 0.8	0.30	0.3
	10	± 0.80	± 8.0	0.30	3.0
20-200 μ l	200	± 1.60	± 0.8	0.60	0.3
	20	± 1.60	± 8.0	0.60	3.0
100-1000 μ l	1000	± 8.0	± 0.8	3.0	0.3
	100	± 8.0	± 8.0	3.0	3.0
0.5-5 ml	5000	± 40.0	± 0.8	15.0	0.3
	500	± 40.0	± 8.0	15.0	3.0
1-10 ml	10000	± 60.0	± 0.6	30.0	0.3
	1000	± 60.0	± 6.0	30.0	3.0

Deutsch

Finnpipette F3-Einzelkanalpipette mit Konstantvolumen

Fixed Volumen μl	Ungenauigkeit		Unpräzision	
	μ l	%	s.d. μ l	cv%
1	± 0.050	± 5.00	0.050	5.00
5	± 0.125	± 2.50	0.075	1.50
10	± 0.120	± 1.20	0.080	0.80
20	± 0.20	± 1.00	0.10	0.50
25	± 0.50	± 2.00	0.20	0.80
50	± 0.50	± 1.00	0.20	0.40
100	± 0.80	± 0.80	0.30	0.30
200	± 1.6	± 0.80	0.60	0.30
250	± 4.0	± 1.60	1.50	0.60
500	± 4.0	± 0.80	1.50	0.30
1000	± 8.0	± 0.80	3.00	0.30

Grenzwerte laut Herstellerspezifikation

Finnpipette F3-Einzelkanalpipette mit variablem Volumen

Bereich	Volumen μl	Ungenauigkeit		Unpräzision		Hersteller Kalibrier- Spitze
		μl	%	s.d. μl	cv%	
0.2-2 μl	2	$\pm 0,050$	$\pm 2,50$	0,040	2,00	Flex 10
	0,2	$\pm 0,024$	$\pm 12,00$	0,020	10,00	
1-10 μl , micro	10	$\pm 0,100$	$\pm 1,00$	0,050	0,50	Flex 10
	1	$\pm 0,025$	$\pm 2,50$	0,020	2,00	
1-10 μl	10	$\pm 0,100$	$\pm 1,00$	0,080	0,80	Flex 200
	1	$\pm 0,035$	$\pm 3,50$	0,030	3,00	
2-20 μl , micro	20	$\pm 0,20$	$\pm 1,00$	0,08	0,40	50
	2	$\pm 0,06$	$\pm 3,00$	0,05	2,50	
2-20 μl	20	$\pm 0,20$	$\pm 1,00$	0,08	0,40	Flex 200
	2	$\pm 0,06$	$\pm 3,00$	0,05	2,50	
5-50 μl , micro	50	$\pm 0,30$	$\pm 0,60$	0,15	0,30	50
	5	$\pm 0,15$	$\pm 3,00$	0,125	2,50	
5-50 μl	50	$\pm 0,30$	$\pm 0,60$	0,15	0,30	Flex 200
	5	$\pm 0,15$	$\pm 3,00$	0,125	2,50	
10-100 μl	100	$\pm 0,80$	$\pm 0,80$	0,20	0,20	Flex 200
	10	$\pm 0,30$	$\pm 3,00$	0,10	1,00	
20-200 μl	200	$\pm 1,2$	$\pm 0,60$	0,4	0,20	Flex 200
	20	$\pm 0,36$	$\pm 1,80$	0,14	0,70	
100-1000 μl	1000	$\pm 6,0$	$\pm 0,60$	2,0	0,20	Flex 1000
	100	$\pm 1,0$	$\pm 1,00$	0,6	0,60	
0,5-5 ml	5000	$\pm 25,0$	$\pm 0,50$	10,0	0,20	5 ml
	500	$\pm 10,0$	$\pm 2,00$	4,0	0,80	
1-10 ml	10000	$\pm 50,0$	$\pm 0,50$	20,0	0,20	10 ml
	1000	$\pm 20,0$	$\pm 2,00$	8,0	0,80	

Deutsch

Finnpipette F3-Einzelkanalpipette mit Konstantvolumen

Fixed Volume μl	Ungenauigkeit		Unpräzision		Hersteller Kalibrier- Spitze
	μl	%	s.d. μl	cv%	
1	$\pm 0,040$	$\pm 4,00$	0,040	4,00	Flex 10
5	$\pm 0,070$	$\pm 1,40$	0,070	1,40	Flex 10
10	$\pm 0,090$	$\pm 0,90$	0,080	0,80	Flex 200
20	$\pm 0,14$	$\pm 0,70$	0,10	0,50	Flex 200
25	$\pm 0,15$	$\pm 0,60$	0,125	0,50	Flex 200
50	$\pm 0,30$	$\pm 0,60$	0,20	0,40	Flex 200
100	$\pm 0,40$	$\pm 0,40$	0,30	0,30	Flex 200
200	$\pm 0,80$	$\pm 0,40$	0,60	0,30	Flex 200
250	$\pm 1,0$	$\pm 0,40$	0,75	0,30	Flex 1000
500	$\pm 1,5$	$\pm 0,30$	1,5	0,30	Flex 1000
1000	$\pm 3,0$	$\pm 0,30$	3,0	0,30	Flex 1000

Justierung

Die Einstellung wird nur für ein Volumen vorgenommen. Als Einstellvolumen wird die Mindest- oder 10% der Höchstmenge empfohlen.

1. Stecken Sie das Werkzeug in die Öffnungen der Eichungsschraube am oberen Ende des Griffs.
2. Drehen Sie das Werkzeug im Uhrzeigersinn, um die Menge zu erhöhen, oder gegen den Uhrzeigersinn, um die Menge zu verringern.
3. Überprüfen Sie nach der Justierung die Kalibrierung gemäß der oben beschriebenen Anleitung.



Formeln zum Berechnen von Werten

Umrechnung von Masse in Volumen

$$V = (w + e) \times Z$$

V = Volumen (μl)
 w = Gewicht (mg)
 e = Verdunstungsverlust (mg)
 Z = Umrechnungsfaktor für $\mu\text{l}/\text{mg}$ -Konversion

Verdunstungsverluste können bei kleinen Mengen ausschlaggebend sein. Um den Volumenverlust zu bestimmen, leeren Sie Wasser in die Waagschale, notieren Sie den Anzeigewert und starten Sie eine Stoppuhr. Stellen Sie fest, um wie viel der angezeigte Wert während 30 Sekunden abnimmt (z.B. 6 mg = 0,2 mg/s).

Vergleichen Sie dies mit der Pipettierzeit vom Austarieren bis zum Ablesen. Normalerweise beträgt die Pipettierzeit 10 Sekunden. Der Volumensverlust beträgt in diesem Fall deshalb 2 mg (10 s x 0,2 mg/s). Wird ein Verdunstungsschutz oder Deckel für das Gefäß verwendet, ist ein Korrigieren der Verdampfungs Menge normalerweise nicht nötig.

Der Faktor Z dient zur Umrechnung des Gewichts von Wasser auf sein Volumen bei Prüftemperatur und Prüfdruck. Ein typischer Wert ist 1,0032 $\mu\text{l}/\text{mg}$ bei 22°C und 95 kPa. Siehe die Umwandlungstabelle auf Seite 52.

Ungenauigkeit (systematischer Fehler)

Ungenauigkeit bezeichnet die Differenz zwischen der abgegebenen Menge und dem gewählten Volumen einer Pipette.

$$A = \bar{V} - V_0$$

A = Ungenauigkeit
 \bar{V} = Mittleres Volumen
 V_0 = Nennvolumen

Ungenauigkeit kann als relativer Wert dargestellt werden: $A\% = 100\% \times A / V_0$

Unpräzision (statistischer Fehler)

Unpräzision bezieht sich auf die Wiederholbarkeit der Pipettierung. Sie wird als Standardabweichung (s) oder Variationskoeffizient (cv) angegeben.

$$S = \sqrt{\frac{\sum_{i=1}^n (V_i - \bar{V})^2}{n-1}}$$

s = Standardabweichung
 \bar{v} = Mittleres Volumen
 n = Anzahl der Messungen

Die Standardabweichung kann als relativer Wert dargestellt werden (CV) $CV = 100\% \times S / \bar{V}$

Wartung

Wenn die Finnpipette F3 nicht in Verwendung ist, muss sie in einer senkrechten Position aufbewahrt werden. Wir empfehlen dafür eine Finnpipette-Halterung.

Die angegebenen Teilenummern beziehen sich auf die Explosionszeichnungen auf Seite 53.

Kurzfristige Wartung

Die Außenfläche der Pipette sollte täglich vor Gebrauch auf Staub und Schmutz überprüft werden.

Insbesondere die Spitzenhalterung sollte untersucht werden. Zur Reinigung der Pipette darf ausschließlich 70% Ethylalkohol verwendet werden.

Langfristige Wartung

Wird die Pipette täglich verwendet, sollte sie alle drei Monate überprüft werden. Die Wartung beginnt mit dem Zerlegen der Pipette.

Pipetten von 1-1000 µl:

1. Drücken Sie den Spitzenauswerfer.
2. Drehen Sie den Spitzenauswerfer 11 gegen den Uhrzeigersinn und ziehen Sie ihn heraus.
3. Drehen Sie die Spitzenhalterung mit dem Werkzeug gegen den Uhrzeigersinn heraus.
4. Ziehen Sie den Kolben und die anderen Bestandteile heraus. Ziehen Sie mit dem Kolben die restliche Kolbeneinheit heraus. Drehen Sie die Spitzenhalterung um und leeren Sie alle Bestandteile aus. Legen Sie alle Teile sorgfältig angeordnet auf den Tisch, um sie wieder zusammensetzen zu können.
5. Reinigen Sie den Kolben, die Kolbenfeder und die O-Ringe mit einem trockenen, fusselreifen Tuch.
6. Kontrollieren Sie die Spitzenhalterung auf Fremdkörper.
7. Schmieren Sie die gesäuberten Teile mit dem Schmiermittel, das mit der Pipette geliefert wird.
8. Setzen Sie die Pipettenkomponenten wieder zusammen.

0,2-2 µl und 1-10 µl: Schieben Sie zuerst die Feder 22, die O-Ring-Stütze 23 und den O-Ring 24 auf die Röhre 21.

0,2-2 µl-Modell: Schieben Sie die Röhre 27 in die Röhre 21. Schieben Sie danach die Feder 13, die Federstütze 16, die Röhren 17 und 18, den größeren O-Ring 19 sowie den kleineren O-Ring 20 wieder auf den Kolben.

Drücken Sie die Feder mit den Fingern zusammen, indem Sie den Kolben und die Federstütze 16 gegeneinander drücken, und schieben Sie auch die Röhre 21 auf den Kolben. Halten Sie die Feder gedrückt und schieben Sie die ganze Baugruppe vorsichtig in den Spitzenkegel. Lassen Sie danach die Feder los.

2-20 µl und 5-50 µl: Schieben Sie die Feder 13, die Federstütze 16, die Röhren 17 und 18, den größeren O-Ring 19 und den kleineren O-Ring 20 auf den Kolben zurück. Drücken Sie die Feder mit den Fingern zusammen, indem Sie den Kolben und die Federstütze 16 gegeneinander drücken und schieben Sie den größeren O-Ring 19, den kleineren O-Ring 20, die Federstütze 21 und die Feder 22 (kleinerer Durchmesser als Federstütze 21) auf den Kolben. Halten Sie die Feder gedrückt, schieben Sie die gesamte Einheit vorsichtig in die Spitzenhalterung und lassen Sie die Feder los.

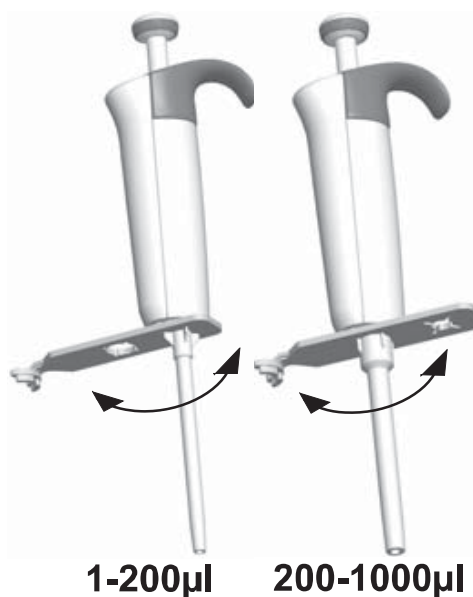
10-100 µl und 20-200 µl: Schieben Sie die Feder 13, die Federstütze 16 und den O-Ring 17 wieder auf den Kolben. Schieben Sie die gesamte Einheit in die Spitzenhalterung.

100-1000µl: Stecken Sie den O-Ring 17 und den Stützring 16 auf die Spitzenhalterung. Schieben Sie die Feder 13 auf den Kolben und schieben Sie die gesamte Einheit in die Spitzenhalterung.

9. **Alle Modelle:** Setzen Sie die Feder 15 und die Stütze 14 auf den Spitzenkegel. Schieben Sie die Spitzenkegeleinheit vorsichtig in den Griff. Bringen Sie den Spitzenkegel an, indem sie diesen zunächst mit der Hand im Uhrzeigersinn drehen und anschließend mit dem Wartungswerkzeug festziehen.
10. Setzen Sie den Spitzenauswerfer wieder zusammen.



Deutsch

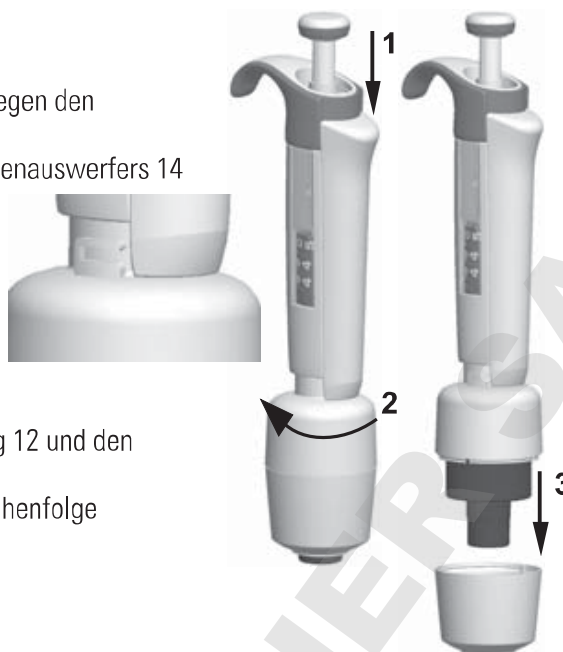


1-200µl

200-1000µl

Pipetten von 0.5-5 ml und 1-10 ml

1. Drücken Sie den Spitzenauswerfer.
2. Drehen Sie den Spitzenauswerfer 10 gegen den Uhrzeigersinn, um ihn zu öffnen.
3. Zerlegen Sie den unteren Teil des Spitzenauswerfers 14 (Einschnapphalterung).
4. Drehen Sie den Zylinder 13 gegen den Uhrzeigersinn und ziehen Sie die Spitzenhalterungseinheit heraus.
5. Entfernen Sie den Zylinder 13 durch Drücken der Einschnapphalterungen des Zylinders.
6. Reinigen und schmieren Sie den O-Ring 12 und den Zylinder 13.
7. Setzen Sie die Teile in umgekehrter Reihenfolge wieder zusammen.

**Sterilisieren**

Das Spitzenkegelmodul kann sterilisiert werden, indem es bei 121°C (252°F) (2 ata) 20 Minuten lang autoklaviert wird. Nötigenfalls können Dampfsterilisationstaschen verwendet werden. Nach dem Autoklavieren muss das Modul mindestens zwei Stunden lang auf Raumtemperatur abgekühlt werden. Achten Sie vor dem Pipettieren darauf, dass das Modul trocken ist. Wir empfehlen, nach jedem Sterilisationsdurchgang die Kalibrierung zu prüfen.

Fehlerbehebung

Die unten stehende Tabelle listet mögliche Probleme und Lösungsvorschläge auf.

Fehler	Mögliche Ursache	Lösung
<i>Undichtigkeit</i>	<i>Spitze nicht ordnungsgemäß befestigt</i>	<i>Ordnungsgemäß befestigen</i>
	<i>Fremdkörper zwischen Spitze und Spitzenhalterung</i>	<i>Spitzenhalterung reinigen und neue Spitze anbringen</i>
	<i>Fremdkörper zwischen Kolben, O-Ring und Zylinder</i>	<i>O-Ring und Zylinder reinigen und schmieren.</i>
	<i>Zu wenig Schmiermittel auf Zylinder und O-Ring</i>	<i>Ordnungsgemäß schmieren</i>
	<i>O-Ring beschädigt</i>	<i>O-Ring auswechseln</i>
<i>Ungenauere Ausgabe</i>	<i>Falsche Handhabung</i>	<i>Anleitung genau befolgen</i>
	<i>Spitze nicht ordnungsgemäß befestigt</i>	<i>Ordnungsgemäß befestigen</i>
	<i>Geänderte Kalibrierung: verursacht durch z. B. falsche Verwendung</i>	<i>Gemäß Anleitung neu kalibrieren</i>
	<i>Loser Spitzenkegel</i>	<i>Spitzenkegel mit dem Wartungswerkzeug festziehen</i>
<i>Ungenauere Ausgabe bei manchen Flüssigkeiten</i>	<i>Ungeeignete Kalibrierungsmethode</i> <i>Hochviskose Flüssigkeiten könnten neue Kalibrierung erfordern</i>	<i>Für manche Flüssigkeiten neu kalibrieren.</i>

ACHTUNG!

Die Finnpipette wurde konzipiert um eine einfache Verwendung im Labor zu gewährleisten. Wenn Sie uns oder dem Vertreter vor Ort Ihre Pipette zukommen lassen wollen, stellen Sie bitte sicher, dass die Pipette dekontaminiert wurde, bevor Sie sie versenden.

Beachten Sie bitte, dass die Postbehörden in Ihrem Land den Transport von verunreinigtem Material auf dem Postweg untersagen oder einschränken könnten.

Description du produit

La Finnpiquette F3 est une micropipette polyvalente à volume variable pour l'échantillonnage et la distribution de volumes liquides précis de.

Elle fonctionne selon le principe du déplacement d'air (volume d'air entre piston et liquide) et utilise des cônes jetables.

Le volume sélectionné apparaît sur un écran numérique situé sur le corps de la pipette.

Les douze modèles de Finnpiquette F3 couvrent une gamme de 0.2 µl à 10 ml.

Référence	Plage de volumes	Code couleur	Embout Finntip
4640110	0,2 µl à 2 µl	rose	Flex 10, 10, 20, 50
4640000	1 µl à 10 µl	rose	Flex 10, 10, 20, 50
4640010	1 µl à 10 µl	jaune	Flex 200, 250 Univ., 200 Ext, 300, Flex 300
4640020	2 µl à 20 µl	turquoise	50
4640030	2 µl à 20 µl	jaune	Flex 200, 250 Univ., 200 Ext, 300, Flex 300
4640080	5 µl à 50 µl	turquoise	50
4640090	5 µl à 50 µl	jaune	Flex 200, 250 Univ., 200 Ext, 300, Flex 300
4640040	10 µl à 100 µl	jaune	Flex 200, 250 Univ., 200 Ext, 300, Flex 300
4640050	20 µl à 200 µl	jaune	Flex 200, 250 Univ., 200 Ext, 300, Flex 300
4640060	100 µl à 1000 µl	bleu	Flex 1000, 1000, 1000 Ext
4640100	0,5 ml à 5 ml	vert	5 ml
4640070	1 ml à 10 ml	rouge	10 ml, Flex 10 ml Ext

Les onze modèles de Finnpiquette F3 Fixed Volume couvrent une gamme de 1 µl à 10 ml.

Référence	Plage de volumes	Code couleur	Embout Finntip
4650000	1 µl	bleu foncé	Flex 10, 10, 20, 50
4650010	5 µl	bleu foncé	Flex 10, 10, 20, 50
4650020	10 µl	bleu foncé	Flex 200, 250 Univ., 200 Ext, 300, Flex 300
4650090	20 µl	bleu foncé	Flex 200, 250 Univ., 200 Ext, 300, Flex 300
4650030	25 µl	bleu foncé	Flex 200, 250 Univ., 200 Ext, 300, Flex 300
4650040	50 µl	bleu foncé	Flex 200, 250 Univ., 200 Ext, 300, Flex 300
4650050	100 µl	bleu foncé	Flex 200, 250 Univ., 200 Ext, 300, Flex 300
4650100	200 µl	bleu foncé	Flex 200, 250 Univ., 200 Ext, 300, Flex 300
4650060	250 µl	bleu foncé	Flex 1000, 1000, 1000 Ext
4650070	500 µl	bleu foncé	Flex 1000, 1000, 1000 Ext
4650080	1000 µl	bleu foncé	Flex 1000, 1000, 1000 Ext

Affichage numérique

Le volume sélectionné est indiqué sur l'écran numérique de la poignée.



Matériaux de fabrication

La Finnpiquette F3 est fabriquée à partir de matériaux à haute résistance mécanique et chimique. Les modules porte-cône peuvent ainsi être systématiquement autoclavés à 121°C.

Description des cônes

Il est recommandé d'utiliser les cônes Finntip avec les Finnpiquettes F3.

Ces cônes sont en polypropylène incolore, de haute qualité, seule matière considérée comme non contaminante. Les Finntip sont également autoclavables (121°C).

Conditionnement

La Finnpiquette F3 est livrée dans un emballage spécial contenant les éléments suivants :

1. Finnpiquette
2. Clé de démontage et de calibrage
3. Echantillons de cônes
4. Sac de lubrifiant 1g (**Référence 3300200**)
5. Guide d'utilisation
6. Certificat de calibrage / Certificat de garantie
7. Porte-pipettes (**Référence 2206040**)
8. Deux autocollants

Consignes de sécurité

Les mises en garde sont indiquées par ce symbole .

Utilisation attendue

Cet appareil a été conçu pour transférer des volumes de liquides compris entre 0,2 µl à 10 ml. La pipette Finnpiquette F3 et les cônes Finntips sont conçus pour être utilisés dans des analyses et il incombe à l'utilisateur de valider le système afin de garantir des résultats sûrs et fiables.



Effets sur la santé

- ▶ Suivre les procédures générales de prévention des risques et de sécurité (par exemple : port de vêtements de protection, de lunettes de protection et de gants).
- ▶ Pour l'utilisation et l'élimination des matériaux dangereux (radioactifs ou potentiellement infectieux, par exemple), suivre les consignes de sécurité et les bonnes pratiques de laboratoire.
- ▶ Les pipettes et les cônes ne sont pas prévus pour être utilisés in vivo. Ne pas utiliser ce dispositif pour pipeter des liquides destinés à être injectés dans le corps humain.
- ▶ Ne pas éjecter le cône vers une personne.

La pipette Finnpiquette F3 doit être utilisée par des personnes dûment formées, dotées des compétences nécessaires pour travailler dans un laboratoire. Les instructions d'utilisation doivent être lues avant et, au besoin, pendant l'utilisation du dispositif (pipette et cône). La pipette F3 peut être utilisée entre +4°C et +40°C.



Résultats incorrects

- ▶ Les performances peuvent varier en fonction des paramètres suivants :
 - a. la méthode de pipetage (technique de pipetage directe recommandée)
 - b. la température (air, liquide, contenants, pipette et cône)
 - c. la pression
 - d. l'humidité
 - e. l'opérateur, par ex. : mouvement du pouce, angle de pipetage
 - f. la densité du liquide, la viscosité et la pression
 - g. le type de cône
- ▶ Si les performances du pipetage sont essentielles au résultat d'une application, le résultat doit être garanti par un test alternatif ou, si cela n'est pas possible, par des tests répétés. La possibilité de distribuer un volume incorrect lors du pipetage ne peut pas être totalement écarté.
- ▶ Pour éviter une distribution incorrecte et/ou une fuite, vérifier que le cône est correctement fixé à la pipette.
- ▶ Ne jamais tourner le bouton de réglage du volume au-delà de la plage de volume de la pipette. Cela risquerait d'endommager la pipette ou d'affecter les performances du pipetage.
- ▶ Les performances du pipetage ne peuvent être garanties en cas de réutilisation du cône.
- ▶ Toujours utiliser un cône et une pipette de code couleur assorti.

Élimination des déchets

Suivre les procédures locales pour éliminer les déchets nocifs pour l'organisme ou radioactifs. Se reporter à la réglementation locale pour l'élimination de matériaux infectieux.

Avertissement Les cônes peuvent être potentiellement infectieux. Éliminer tous les cônes jetables utilisés comme des déchets présentant un risque biologique.

Avertissement Décontaminer la pipette avant de s'en servir. Consulter.

Pour obtenir des instructions sur l'évacuation des déchets, contactez le service de l'environnement le plus proche. Pour plus d'informations, nous contacter à l'adresse suivante : info.pipettes@thermofisher.com.

Pour les matériaux d'emballage d'origine, utiliser les compagnies de recyclage habituelles.

Pour de plus amples informations, contacter le représentant Thermo Fisher Scientific local.

Utilisation de la pipette

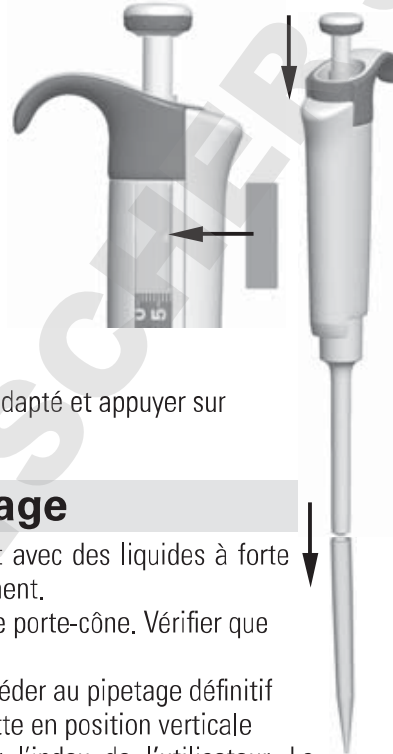
Réglage du volume à pipeter

1. Régler le volume souhaité à l'aide du bouton-poussoir situé sur le haut de la pipette. Pour augmenter le volume, tourner le bouton dans le sens inverse des aiguilles d'une montre. Pour diminuer le volume, le tourner dans le sens des aiguilles d'une montre.
2. S'assurer que les chiffres correspondants au volume désiré sont correctement affichés sur l'écran numérique.
3. Ne pas afficher un volume hors de la gamme spécifiée pour la pipette. Pour ne pas endommager le mécanisme de la pipette ni altérer sa précision, éviter de forcer sur le bouton-poussoir.



Étiquette de sécurité

L'étiquette de sécurité permet d'inscrire l'application de la pipette, les initiales de l'utilisateur, la date du calibrage, etc. Retirer l'ancienne étiquette à l'aide d'un objet pointu. Utiliser un crayon pour écrire sur la nouvelle étiquette, puis insérer l'étiquette dans son logement.



Éjection des cônes

Pour éliminer tout risque de contamination, chaque pipette est munie d'un dispositif d'éjection des cônes.

Pour éjecter le cône, diriger la pipette vers un réceptacle adapté et appuyer sur l'éjecteur avec le pouce.

Méthodes de pipetage

Manier toujours le bouton-poussoir avec douceur, surtout avec des liquides à forte viscosité. Ne jamais relâcher le bouton-poussoir brusquement.

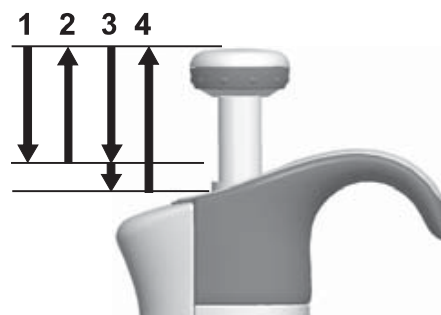
S'assurer que le cône est fermement emboîté sur l'embase porte-cône. Vérifier que le cône est propre.

Humidifier le cône avec la solution à pipeter avant de procéder au pipetage définitif (en remplissant et vidant 2 ou 3 fois le cône). Tenir la pipette en position verticale durant la manipulation. Le Grip-index doit reposer sur l'index de l'utilisateur. La température de la pipette et du cône doit être identique à celle de la solution.

Méthode directe

Remplir un réservoir propre avec le liquide à pipeter.

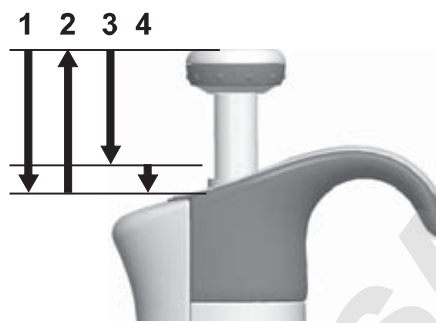
1. Appuyer sur le bouton-poussoir jusqu'au premier cran.
2. Plonger d'environ 1 cm le cône dans le liquide puis relâcher lentement le bouton-poussoir. Retirer le cône en l'appliquant contre la paroi du réservoir afin d'éliminer le liquide en excès.
3. Distribuer le liquide en appuyant doucement sur le bouton-poussoir jusqu'au premier cran. Marquer un temps d'arrêt d'environ une seconde, puis appuyer jusqu'au deuxième cran. Cette action videra complètement le cône.
4. Relâcher le bouton jusqu'à sa position de repos. Changer le cône si nécessaire, puis continuer le pipetage.



Méthode inverse

La méthode inverse convient pour pipeter des liquides à forte viscosité ou ayant tendance à mousser facilement. Cette méthode est également recommandée pour les faibles volumes. Remplir un réservoir propre avec le liquide à pipeter.

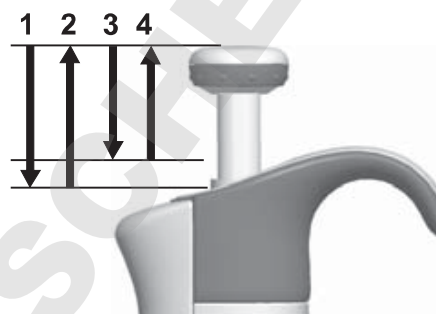
1. Enfoncer le bouton-poussoir jusqu'au deuxième cran.
2. Plonger d'environ 1 cm le cône dans le liquide puis relâcher délicatement le bouton-poussoir. Le cône se remplira. Retirer le cône en l'appliquant contre la paroi du réservoir afin d'éliminer le liquide en excès.
3. Distribuer le volume prélevé en enfonçant délicatement le bouton jusqu'au premier cran. Maintenir le bouton-poussoir dans cette position. Une partie du liquide doit rester dans le cône et ne sera pas distribuée.
4. Le liquide restant est éliminé avec le cône ou reversé dans le réservoir.



Méthode répétitive

La méthode répétitive est une méthode simple et rapide pour la distribution répétée d'un même liquide. Remplir un réservoir propre avec le liquide à distribuer.

1. Enfoncer le bouton-poussoir jusqu'au deuxième cran.
2. Plonger d'environ 1 cm le cône dans le liquide puis relâcher lentement le bouton-poussoir. Le cône se remplira.
3. Distribuer le volume prélevé en appuyant lentement le bouton jusqu'au premier cran. Maintenir le bouton-poussoir dans cette position. Une partie du liquide doit rester dans le cône et ne sera pas distribuée.
4. Continuez le pipetage en répétant les étapes 3 et 4.



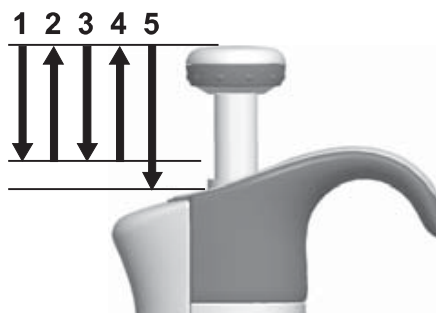
Pipetage de sang total

(ex. déprotéinisation du sang pour dosage de glucose)

Pour prélever l'échantillon de sang, suivre les étapes 1 et 2 de la méthode directe.

Essuyer soigneusement le cône à l'aide d'un mouchoir en papier propre et sec.

1. Plonger le cône dans le réactif et enfoncer le bouton-poussoir jusqu'au premier cran, en s'assurant que la pointe est bien dans le liquide.
2. Relâcher délicatement le bouton-poussoir jusqu'à sa position de repos. Le cône se remplira. Ne pas sortir le cône de la solution.
3. Enfoncer le bouton-poussoir jusqu'au premier cran puis le relâcher lentement. Répéter cette opération jusqu'à ce que l'intérieur du cône soit propre.
4. Enfin, enfoncer le bouton-poussoir jusqu'au deuxième cran pour vider complètement le cône.



Calibrage

Toutes les Finnpiquette sont réglées et calibrées en usine avec de l'eau distillée ou déionisée, selon la méthode de pipetage direct. Les pipettes sont conçues de sorte à pouvoir utiliser des liquides de différentes températures et viscosités.

Matériel et conditions de test

Utiliser une balance analytique. Les spécifications de la balance doivent être choisies en fonction du volume contrôlé de la pipette :

Volumes	Sensibilité de la balance
inférieurs à 10 μ l	0,001 mg
10-100 μ l	0,01 mg
supérieurs à 100 μ l	0,1 mg

Liquide test : eau distillée ou déionisée, grade 3, conforme à la norme ISO 3696. Les tests doivent être effectués dans une pièce climatisée avec une température d'eau, de pipette et d'air constante ($\pm 0,5^\circ\text{C}$) située entre 20°C et 25°C . L'humidité relative doit être supérieure à 50 %.

Pour les volumes inférieurs à 50 µl en particulier, l'humidité de l'air doit être la plus élevée possible pour réduire la perte par évaporation. Des accessoires spécifiques, tels qu'un piège à évaporation, sont recommandés.

Procédure de vérification du calibrage

La pipette est vérifiée au volume maximum (volume nominal) et au volume minimum. Chaque nouveau cône est d'abord pré-humidifié 3 à 5 fois, et une série de dix pipetages est réalisée pour chacun des deux volumes. Une pipette est toujours réglée pour distribuer le volume sélectionné. L'utilisation de la méthode de pipetage directe est recommandée. Les erreurs tolérables maximales sont fournies pour la méthode de pipetage directe. Il est conseillé d'étalonner tous les canaux des pipettes multicanaux, cependant une méthode acceptable consiste à étalonner seuls les canaux des extrémités. L'ajustage se réalise alors sur un canal central. Il est également recommandé d'utiliser les erreurs maximales tolérées définies par la norme ISO 8655, voir tableau ci-dessous ou des spécifications propres à chaque utilisateur.

Procédure :

1. Effectuer 10 pipetages au volume minimum.
2. Effectuer 10 pipetages au volume maximum.
3. Calculer la justesse (E) et la répétabilité (cv) des deux séries.
4. Comparer les résultats aux tolérances du tableau 1.

Si les résultats calculés se trouvent dans les limites de tolérance sélectionnées, c'est que le réglage de la pipette est correct.

Spécifications d'étalonnage ISO 8655

Spécifications Thermo Scientific Finnpiquette F3 selon la norme ISO 8655.

Finnpiquette F3 monocanal à volume variable

Gamme	Volumen µl	Erreur de justesse		Erreur de répétabilité	
		µl	%	s.d. µl	cv%
0.2-2 µl	2	±0.080	±4	0.040	2.0
	0.2	±0.080	±40	0.040	20.0
1-10 µl	10	±0.120	±1.2	0.080	0.8
	1	±0.120	±12	0.080	8.0
2-20 µl	20	±0.20	±1.0	0.10	0.5
	2	±0.20	±10.0	0.10	5.0
5-50 µl	50	±0.50	±1.0	0.20	0.4
	5	±0.50	±10	0.20	4.0
10-100 µl	100	±0.80	±0.8	0.30	0.3
	10	±0.80	±8.0	0.30	3.0
20-200 µl	200	±1.60	±0.8	0.60	0.3
	20	±1.60	±8.0	0.60	3.0
100-1000 µl	1000	±8.0	±0.8	3.0	0.3
	100	±8.0	±8.0	3.0	3.0
0.5-5 ml	5000	±40.0	±0.8	15.0	0.3
	500	±40.0	±8.0	15.0	3.0
1-10 ml	10000	±60.0	±0.6	30.0	0.3
	1000	±60.0	±6.0	30.0	3.0

Finnpiquette F3 monocanal à volume fixe

Fixed Volume µl	Erreur de justesse		Erreur de répétabilité	
	µl	%	s.d. µl	cv%
1	±0.050	±5.00	0.050	5.00
5	±0.125	±2.50	0.075	1.50
10	±0.120	±1.20	0.080	0.80
20	±0.20	±1.00	0.10	0.50
25	±0.50	±2.00	0.20	0.80
50	±0.50	±1.00	0.20	0.40
100	±0.80	±0.80	0.30	0.30
200	±1.6	±0.80	0.60	0.30
250	±4.0	±1.60	1.50	0.60
500	±4.0	±0.80	1.50	0.30
1000	±8.0	±0.80	3.00	0.30

Spécifications d'usine

Finnpipette F3 monocanal à volume variable

Gamme	Volumen μl	Erreur de justesse		Erreur de répétabilité		Pointes utilisées par le constructeur
		μl	%	s.d. μl	cv%	
0.2-2 μl	2	$\pm 0,050$	$\pm 2,50$	0,040	2,00	Flex 10
	0,2	$\pm 0,024$	$\pm 12,00$	0,020	10,00	
1-10 μl , micro	10	$\pm 0,100$	$\pm 1,00$	0,050	0,50	Flex 10
	1	$\pm 0,025$	$\pm 2,50$	0,020	2,00	
1-10 μl	10	$\pm 0,100$	$\pm 1,00$	0,080	0,80	Flex 200
	1	$\pm 0,035$	$\pm 3,50$	0,030	3,00	
2-20 μl , micro	20	$\pm 0,20$	$\pm 1,00$	0,08	0,40	50
	2	$\pm 0,06$	$\pm 3,00$	0,05	2,50	
2-20 μl	20	$\pm 0,20$	$\pm 1,00$	0,08	0,40	Flex 200
	2	$\pm 0,06$	$\pm 3,00$	0,05	2,50	
5-50 μl , micro	50	$\pm 0,30$	$\pm 0,60$	0,15	0,30	50
	5	$\pm 0,15$	$\pm 3,00$	0,125	2,50	
5-50 μl	50	$\pm 0,30$	$\pm 0,60$	0,15	0,30	Flex 200
	5	$\pm 0,15$	$\pm 3,00$	0,125	2,50	
10-100 μl	100	$\pm 0,80$	$\pm 0,80$	0,20	0,20	Flex 200
	10	$\pm 0,30$	$\pm 3,00$	0,10	1,00	
20-200 μl	200	$\pm 1,2$	$\pm 0,60$	0,4	0,20	Flex 200
	20	$\pm 0,36$	$\pm 1,80$	0,14	0,70	
100-1000 μl	1000	$\pm 6,0$	$\pm 0,60$	2,0	0,20	Flex 1000
	100	$\pm 1,0$	$\pm 1,00$	0,6	0,60	
0,5-5 ml	5000	$\pm 25,0$	$\pm 0,50$	10,0	0,20	5 ml
	500	$\pm 10,0$	$\pm 2,00$	4,0	0,80	
1-10 ml	10000	$\pm 50,0$	$\pm 0,50$	20,0	0,20	10 ml
	1000	$\pm 20,0$	$\pm 2,00$	8,0	0,80	

Français

Finnpipette F3 monocanal à volume fixe

Fixed Volume μl	Erreur de justesse		Erreur de répétabilité		Pointes utilisées par le constructeur
	μl	%	s.d. μl	cv%	
1	$\pm 0,040$	$\pm 4,00$	0,040	4,00	Flex 10
5	$\pm 0,070$	$\pm 1,40$	0,070	1,40	Flex 10
10	$\pm 0,090$	$\pm 0,90$	0,080	0,80	Flex 200
20	$\pm 0,14$	$\pm 0,70$	0,10	0,50	Flex 200
25	$\pm 0,15$	$\pm 0,60$	0,125	0,50	Flex 200
50	$\pm 0,30$	$\pm 0,60$	0,20	0,40	Flex 200
100	$\pm 0,40$	$\pm 0,40$	0,30	0,30	Flex 200
200	$\pm 0,80$	$\pm 0,40$	0,60	0,30	Flex 200
250	$\pm 1,0$	$\pm 0,40$	0,75	0,30	Flex 1000
500	$\pm 1,5$	$\pm 0,30$	1,5	0,30	Flex 1000
1000	$\pm 3,0$	$\pm 0,30$	3,0	0,30	Flex 1000

Réglage

Le réglage est effectué uniquement pour un volume. Réglage recommandé : volume minimal ou bien 10 % du volume maximal.

1. Placer la clé dans les crans de la bague de calibrage située au-dessous du bouton-poussoir.
2. Tourner la clé dans le sens des aiguilles d'une montre pour augmenter le volume ou dans le sens contraire pour le diminuer.
3. Une fois le réglage terminé, vérifier à nouveau le calibrage en suivant les instructions données ci-dessus.



Calculs

Conversion des poids en volume

$$V = (w + e) \times Z$$

V = volume (μl)
 w = poids (mg)
 e = perte par évaporation (mg)
 Z = facteur de conversion pour $\mu\text{l}/\text{mg}$

La perte par évaporation peut être importante avec les micro-volumes. Pour déterminer la perte de masse, verser de l'eau dans un bécher ou une fiole, noter le poids et déclencher un chronomètre. Noter le poids indiqué au bout de 30 secondes (ex. 6 mg = 0,2 mg/s).

Comparer ce résultat avec le temps de pipetage entre le tarage et la lecture du poids. Dans cet exemple, le temps de pipetage devrait être de 10 secondes et la perte de masse serait donc de 2 mg (10 s x 0,2 mg/s). En utilisant un piège à évaporation ou un couvercle sur bécher ou la fiole, l'erreur due à l'évaporation est négligeable et n'est donc pas prise en compte.

Le facteur Z permet de convertir le poids de l'eau en volume, à la température et à la pression de contrôle. Z est égal à 1,0032 $\mu\text{l}/\text{mg}$ à 22°C et 95 kPa. Se référer à la table de conversion page 52.

Erreur de justesse (erreur systématique)

La erreur de justesse correspond à la différence entre les volumes distribués et le volume sélectionné de la pipette.

$$E = \bar{V} - V_0$$

E = erreur de justesse
 \bar{V} = volume moyen
 V_0 = volume nominal

La erreur de justesse peut être exprimée en valeur relative : $E\% = 100\% \times E / V_0$

Erreur de répétabilité (erreur aléatoire)

Erreur de répétabilité des pipetages est exprimée par la déviation standard (s) ou le coefficient de variation (cv).

$$S = \sqrt{\frac{\sum_{i=1}^n (V_i - \bar{V})^2}{n-1}}$$

s = déviation standard
 \bar{v} = volume moyen
 n = nombre de mesures

La déviation standard peut être exprimée en valeur relative (CV) : $CV = 100\% \times S / \bar{V}$

Entretien

Lorsque la Finnpiquette F3 n'est pas utilisée, elle doit être rangée en position verticale. Pour cela, utiliser un porte-pipettes Finnpiquette.

Le numéro des pièces fait référence aux vues éclatées présentées à partir de la page 53.

Inspection journalière

Il est recommandé de vérifier avant chaque utilisation la propreté extérieure de la pipette.

Une attention toute particulière doit être accordée à l'embase porte-cône. Pour le nettoyage de la pipette, utiliser uniquement une solution d'éthanol à 70 %.

Entretien à court terme

Si la pipette est utilisée quotidiennement, elle doit être vérifiée tous les trois mois. La procédure d'entretien commence par le démontage de la pipette.

Pipettes 1-1000 μl

1. Appuyer sur le bouton éjecteur de cône.
2. Tourner l'éjecteur de cône 11 dans le sens inverse des aiguilles d'une montre et le sortir.
3. Dévissez l'embout porte-cône dans le sens inverse des aiguilles d'une montre à l'aide de la clé de calibrage.
4. Retirer l'ensemble piston et ressorts. Utiliser si nécessaire le piston pour pousser le reste du mécanisme. Retourner l'embase et la tapoter pour récupérer toutes les pièces. Disposer toutes les pièces en ordre sur une table en prévision du remontage.



5. Nettoyer le piston, le ressort du piston et les joints toriques avec un chiffon sec sans peluche.
6. Nettoyer l'embase.
7. Lubrifier les pièces nettoyées en utilisant la graisse silicone fournie avec la pipette.
8. Remonter la pipette.

0,2-2 µl et 1-10 µl : Tout d'abord, faire glisser le ressort 22, le support de joint torique 23 et le joint torique 24 sur le tube 21. Sur le modèle 0,2-2 µl, introduire le tube 27 dans le tube 21. Puis remettre en place le ressort 13, le support de ressort 16 et les tubes 17 et 18, le gros joint torique 19 et le petit joint torique 20 en les faisant glisser sur le piston. Comprimer le ressort avec les doigts en serrant le piston et le support de ressort 16 l'un contre l'autre, et faire glisser le tube 21 avec le reste des pièces sur le piston. Tenir le ressort serré et faire glisser soigneusement l'ensemble sur l'embase et libérer le ressort.

2-20 µl et 5-50 µl : Remettre en place le ressort 13, le support de ressort 16 et les tubes 17 et 18, le gros joint O-ring 19 et le petit joint O-ring 20 en les faisant glisser sur le piston. Comprimer le ressort avec vos doigts en serrant le piston et le support de ressort 16 l'un contre l'autre, et faire glisser le gros joint O-ring 19, le petit joint O-ring 20, le support de ressort 21 et le ressort 22 (petit diamètre contre le support de ressort 21) sur le piston. Tenir le ressort serré et faire glisser soigneusement l'ensemble sur l'embase et libérer le ressort.

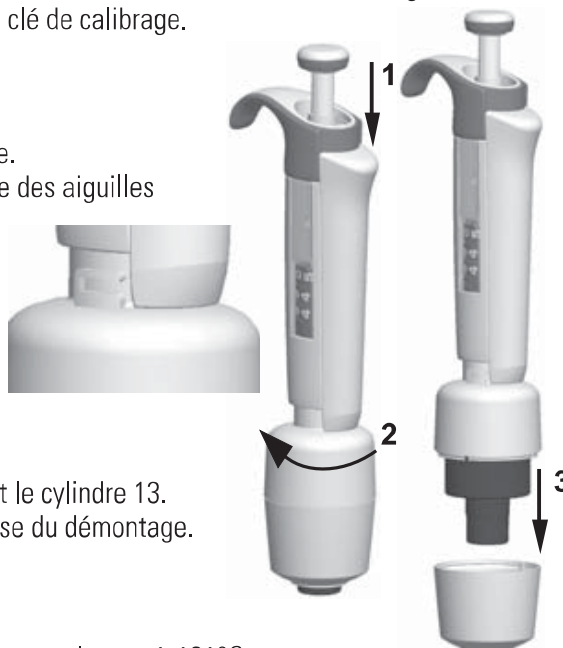
10-100 µl et 20-200 µl : Remettre le ressort 13, le support de ressort 16 et le joint O-ring 17 sur le piston en les faisant glisser. Faire glisser l'ensemble dans l'embase porte-cône.

100-1000 µl : Mettre le joint torique 17 et l'anneau de support 16 sur l'embase. Faire glisser le ressort 13 sur le piston et faire glisser l'ensemble sur l'embase porte-cône.

9. **Tous modèles :** Placer le ressort 15 et le support 14 en haut de l'embase porte-cône, puis insérer avec précaution l'ensemble de l'embase porte-cône sur la poignée. Fixer l'embase porte-cône en commençant par la faire tourner à la main dans le sens des aiguilles d'une montre et en finissant de serrer avec la clé de calibrage.
10. Remonter l'éjecteur de cône.

Pipettes 0.5-5 ml et 1-10 ml

1. Appuyer sur le bouton éjecteur de cône.
2. Tourner la pièce 10 dans le sens inverse des aiguilles d'une montre pour l'ouvrir.
3. Démontez la partie inférieure de l'éjecteur de cône 14 (clips de fixation).
4. Tourner le cylindre 13 dans le sens inverse des aiguilles d'une montre et sortir l'embase.
5. Retirer le cylindre 13 en appuyant sur ses clips de fixation.
6. Nettoyer et lubrifier le joint O-ring 12 et le cylindre 13.
7. Remonter les pièces dans le sens inverse du démontage.



Stérilisation

Le module porte-cône peut être stérilisé par autoclavage à 121°C.

Le module porte-cône peut être stérilisé par autoclavage à 121°C (252°F) (2 ata) pendant 20 minutes. Si nécessaire, des sacs de stérilisation à vapeur peuvent être utilisés.

Après l'autoclavage, le module doit être refroidi à température ambiante pendant au moins deux heures. Avant de pipeter, s'assurer que le module porte-cône est bien sec. Il est recommandé de vérifier le calibrage après chaque cycle de stérilisation.

En cas de problème

Le tableau ci-dessous donne une liste des problèmes éventuels et des solutions à apporter.

Problème	Cause probable	Solution
Fuite	<i>Cône mal emboîté</i>	<i>Bien vérifier la mise en place du cône</i>
	<i>Poussières ou cristaux entre le cône et l'embase</i>	<i>Nettoyer l'embase et remettre un nouveau cône</i>
	<i>Piston, joint torique et cylindre encrassés</i>	<i>Nettoyer et graisser le joint torique et le cylindre.</i>
	<i>Cylindre et joint torique insuffisamment lubrifiés</i>	<i>Graisser en conséquence</i>
Volume incorrect	<i>Joint torique endommagé</i>	<i>Remplacer le joint torique</i>
	<i>Utilisation incorrecte</i>	<i>Suivre attentivement les instructions</i>
	<i>Cône mal emboîté</i>	<i>Bien vérifier la mise en place du cône</i>
Volume incorrect avec certains liquides	<i>Embase porte-cône détaché</i>	<i>Serrer l'embase porte-cône à l'aide de la clé de calibrage.</i>
	<i>Calibrage modifié: causé par une mauvaise utilisation par exemple Calibrage inadapté.</i>	<i>Recalibrer en respectant les instructions</i>
	<i>Les liquides très visqueux peuvent demander un recalibrage.</i>	<i>Recalibrer en fonction du liquide utilisé.</i>

Français

ATTENTION !

Les Finnipettes sont conçues pour permettre un entretien facile en laboratoire. Toutefois, si vous préférez que nous ou notre représentant local se charge de l'entretien de vos pipettes, assurez-vous que vous les avez décontaminées avant de nous les envoyer.

Remarque: les services postaux de certains pays peuvent interdire ou restreindre l'envoi par courrier de matériels contaminés.

Descripción del producto

La Finn timer F3 es una micropipeta ajustable progresivamente y de propósito general, para el muestreo y la dispensación de volúmenes de líquido exactos.

Su funcionamiento se basa en el principio de desplazamiento de aire (es decir, en medio aéreo) y utiliza puntas separables y desechables.

El volumen de dispensación seleccionado se muestra digitalmente en una ventana de lectura que se encuentra en el mango.

Los doce modelos distintos de las pipetas Finn timer F3 permiten trabajar con volúmenes diferentes, abarcando un rango de 0.2 µl a 10 ml.

Nº de pedido	Rango volumétrico	Código de color	Finntip
4640110	0,2 µl a 2 µl	rosa	Flex 10, 10, 20, 50
4640000	1 µl a 10 µl	rosa	Flex 10, 10, 20, 50
4640010	1 µl a 10 µl	amarillo	Flex 200, 250 Univ., 200 Ext, 300, Flex 300
4640020	2 µl a 20 µl	turquoise	50
4640030	2 µl a 20 µl	amarillo	Flex 200, 250 Univ., 200 Ext, 300, Flex 300
4640080	5 µl a 50 µl	turquoise	50
4640090	5 µl a 50 µl	amarillo	Flex 200, 250 Univ., 200 Ext, 300, Flex 300
4640040	10 µl a 100 µl	amarillo	Flex 200, 250 Univ., 200 Ext, 300, Flex 300
4640050	20 µl a 200 µl	amarillo	Flex 200, 250 Univ., 200 Ext, 300, Flex 300
4640060	100 µl a 1000 µl	azul	Flex 1000, 1000, 1000 Ext
4640100	0,5 ml a 5 ml	green	5 ml
4640070	1 ml a 10 ml	red	10 ml, Flex 10 ml Ext

Los once modelos distintos de las pipetas Finn timer F3 de volumen fijo permiten trabajar con volúmenes diferentes, abarcando un rango de 1 µl a 10 ml.

Nº de pedido	Rango volumétrico	Código de color	Finntip
4650000	1 µl	azul oscuro	Flex 10, 10, 20, 50
4650010	5 µl	azul oscuro	Flex 10, 10, 20, 50
4650020	10 µl	azul oscuro	Flex 200, 250 Univ., 200 Ext, 300, Flex 300
4650090	20 µl	azul oscuro	Flex 200, 250 Univ., 200 Ext, 300, Flex 300
4650030	25 µl	azul oscuro	Flex 200, 250 Univ., 200 Ext, 300, Flex 300
4650040	50 µl	azul oscuro	Flex 200, 250 Univ., 200 Ext, 300, Flex 300
4650050	100 µl	azul oscuro	Flex 200, 250 Univ., 200 Ext, 300, Flex 300
4650100	200 µl	azul oscuro	Flex 200, 250 Univ., 200 Ext, 300, Flex 300
4650060	250 µl	azul oscuro	Flex 1000, 1000, 1000 Ext
4650070	500 µl	azul oscuro	Flex 1000, 1000, 1000 Ext
4650080	1000 µl	azul oscuro	Flex 1000, 1000, 1000 Ext

Pantalla digital

El volumen de dispensación seleccionado aparece claramente indicado en la pantalla digital de gran tamaño que se encuentra en el mango.



Materiales

La Finn timer F3 está fabricada con materiales mecánicamente duraderos y químicamente resistentes. Los módulos del cono portapuntas se pueden esterilizar varias veces en el autoclave a 121°C.

Descripción de las puntas

Se recomienda el uso de puntas Finntip con las pipetas Finn timer F3.

Las puntas Finntip se fabrican con polipropileno virgen de color natural que, por regla general, se considera el único material sin contaminar apropiado para las puntas. Asimismo, las Finntip se pueden introducir en el autoclave (121 °C).

Paquete

La pipeta Finnpiquette F3 se suministra en un paquete de diseño especial que incluye los siguientes elementos:

1. Pipeta Finnpiquette
2. Herramienta de servicio
3. Punta Finntip de muestra
4. Bolsa de grasa 1g (**Nº de pedido 3300200**)
5. Manual de instrucciones
6. Certificado de calibración / Certificado de garantía
7. Colgador para estante (**Nº de pedido 2206040**)
8. Dos adhesivos

Seguridad

Las precauciones aparecen marcadas con el símbolo .

Uso previsto

El uso previsto de este dispositivo consiste en transferir líquidos en el rango volumétrico de 0,2 µl a 10 ml.

La pipeta Finnpiquette F3 y la punta Finntips han sido diseñadas como componente de un sistema de análisis para un usuario final, que es responsable de la validación del sistema para garantizar unos resultados fiables y seguros.



Daños para la salud

- ▶ Siga los procedimientos generales de prevención de peligros y las instrucciones de seguridad; por ejemplo, lleve prendas protectoras, protección ocular y guantes.
- ▶ Para el uso y la eliminación de residuos de material peligroso (p. ej., radiactivo y potencialmente infeccioso), siga las instrucciones de seguridad y las prácticas generales de laboratorio.
- ▶ Ni la pipeta ni las puntas están destinadas al uso in vivo. No utilice la pipeta para el pipeteo de líquidos que se vayan a inyectar en un cuerpo humano.
- ▶ No expulse la punta hacia ninguna persona.

La Finnpiquette F3 debe ser utilizada por personal capacitado con las habilidades de laboratorio necesarias. Es necesario leer las instrucciones de uso antes y durante el uso del dispositivo (pipeta y punta). La pipeta F3 puede usarse entre los +4 y los +40 °C.



Resultados de dispensación incorrectos

- ▶ El rendimiento puede variar a causa de factores como:
 - a. Método de pipeteado (se recomienda la técnica directa de pipeteo)
 - b. Temperatura (aire, líquido, recipiente, pipeta y punta)
 - c. Presión
 - d. Humedad
 - e. Operador, p. ej., movimiento del pulgar, ángulo de pipeteado
 - f. Densidad del líquido, viscosidad y presión de vapor
 - g. Tipo de punta
- ▶ Si el rendimiento del pipeteo es crítico para el resultado de una aplicación específica, el resultado debe garantizarse con una prueba alternativa o, si no es posible, mediante duplicación de la prueba. La posibilidad de una dispensación de volumen incorrecta durante el pipeteo no puede mitigarse totalmente.
- ▶ Para evitar una dispensación inexacta y/o fugas, verifique que la punta esté encajada correctamente en la pipeta.
- ▶ Al girar el botón de ajuste de volumen, no sobrepase el rango volumétrico de la pipeta. De lo contrario, la pipeta podría sufrir daños o el rendimiento de pipeteo podría verse afectado.
- ▶ El rendimiento de pipeteo no puede garantizarse si la punta se reutiliza.
- ▶ Seleccione sólo puntas y pipetas con una codificación de colores coincidente.

Eliminación de los materiales

Siga los procedimientos de su laboratorio y específicos de su país para la eliminación de residuos con riesgo biológico o radioactivo. Consulte las normas locales para la eliminación de material infeccioso.

Advertencia Las puntas pueden ser potencialmente infecciosas. Deseche todas las puntas desechables como residuos con riesgo biológico.

Advertencia Descontamine la pipeta antes de la eliminación.

Para obtener instrucciones para la eliminación de residuos, póngase en contacto con las autoridades locales de medio ambiente. Para más información, póngase en contacto con nosotros en info.pipettes@thermofisher.com.

En cuanto a los materiales de embalaje y empaquetado originales, utilice sus servicios de reciclaje habituales.

Para más información, póngase en contacto con su representante local de Thermo Fisher Scientific.

Uso de la pipeta

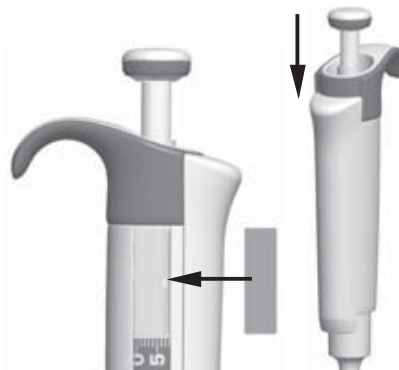
Selección del volumen de dispensación

1. Determine el volumen de dispensación con el pulsador que se encuentra en la parte superior de la pipeta. Para aumentar el volumen de dispensación, gire el pulsador en el sentido contrario a las agujas del reloj. Para disminuirlo, gírelo en la dirección opuesta.
2. Asegúrese de que el volumen de dispensación es el deseado.
3. No ajuste volúmenes que estén fuera del rango volumétrico especificado para la pipeta.
Si fuerza el pulsador excesivamente para superar dicho rango, puede atascar el mecanismo y, con el tiempo, estropear la pipeta.



Etiqueta de seguridad

Puede usar la etiqueta de seguridad para indicar la aplicación de la pipeta, sus iniciales, la fecha de calibración, etc. Retire la etiqueta anterior con una aguja afilada. Marque la nueva etiqueta con un lápiz y vuelva a introducirla en su posición.



Expulsión de la punta

Para evitar el riesgo de contaminación, cada pipeta viene equipada con un sistema de expulsión de puntas. Para soltar la punta, dirija la pipeta a un contenedor para residuos y presione el expulsor con el dedo pulgar.

Técnicas de pipeteo

Presione y suelte el pulsador lentamente y de forma continua, especialmente cuando trabaje con líquidos muy viscosos. Nunca suelte el pulsador de forma brusca. Asegúrese de que la punta se encuentra firmemente ajustada en el cono portapuntas. Compruebe que no haya partículas extrañas en la punta.

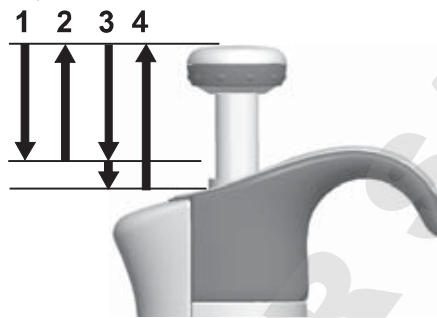
Antes de empezar, llene la punta con la sustancia que va a pipetear y vacíela, repitiendo esta acción 2 ó 3 veces. Sostenga la pipeta en posición vertical mientras se aspira el líquido. El agarre de la pipeta debe apoyarse en el dedo índice. Asegúrese de que las puntas, la pipeta y la solución se encuentran a la misma temperatura.



Técnica directa

Llene un frasco de reactivos limpio con el líquido con el que va a trabajar.

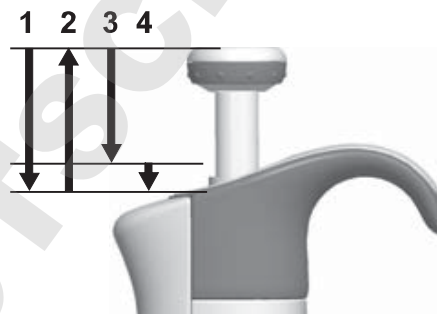
1. Presione el pulsador hasta la primera posición.
2. Sumerja la punta aproximadamente 1 cm bajo la superficie del líquido y suelte el pulsador lentamente. Saque la punta, retirando el exceso de líquido del borde del frasco de la dispensación para eliminar el exceso de líquido.
3. Descargue el líquido presionando ligeramente el pulsador hasta la primera posición. Transcurrido aproximadamente un segundo, vuelva a presionar el pulsador hasta la segunda posición para vaciar la punta. Esta acción vaciará la punta.
4. Suelte el pulsador para que vuelva a la posición inicial. Si es necesario, cambie la punta y siga pipeteando.



Técnica inversa

Se recomienda esta técnica para el pipeteo de líquidos muy viscosos o con tendencia a formar espuma fácilmente. Asimismo, resulta apropiada para el trabajo con volúmenes reducidos. Llene un frasco de reactivos limpio con el líquido con el que va a trabajar.

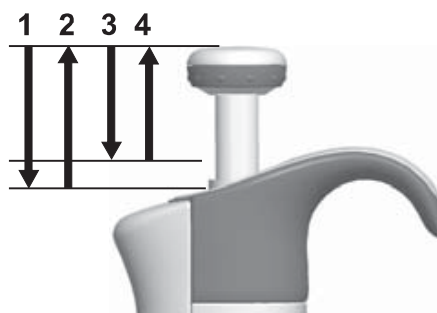
1. Presione el pulsador hasta la segunda posición.
2. Sumerja la punta aproximadamente 1 cm bajo la superficie del líquido y suelte el pulsador lentamente. Mantenga el pulsador en este punto. Saque la punta, retirando el exceso de líquido del borde del frasco de la dispensación para eliminar el exceso de líquido.
3. Descargue el volumen ajustado presionando ligeramente el pulsador hasta la primera posición. Mantenga el pulsador en este punto. El líquido que quede en la punta no debe incluirse en la dispensación.
4. Deseche el líquido restante junto con la punta, o bien, devuélvalo al frasco.



Técnica repetitiva

La técnica repetitiva ofrece un modo rápido y sencillo para la dispensación repetida del mismo volumen. Llene un frasco de reactivos limpio con el líquido con el que va a trabajar.

1. Presione el pulsador completamente hasta la segunda posición.
2. Sumerja la punta aproximadamente 1 cm bajo la superficie del líquido y suelte el pulsador lentamente. Mantenga el pulsador en este punto. Saque la punta, retirando el exceso de líquido del borde del frasco de la dispensación para eliminar el exceso de líquido.
3. Descargue el volumen ajustado presionando ligeramente el pulsador hasta la primera posición. Mantenga el pulsador en este punto. El líquido que quede en la punta no debe incluirse en la dispensación.
4. Repita los pasos 3 y 4 para seguir pipeteando.



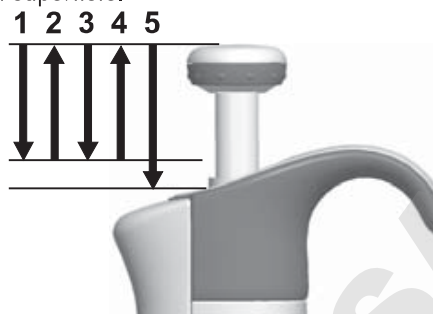
Pipeteo de muestras heterogéneas

(desproteínización en una determinación de glucosa en sangre, por ejemplo)

Siga los pasos 1 y 2 de la técnica directa para llenar la punta de sangre.

Limpie cuidadosamente la punta con un pañuelito limpio y seco.

1. Sumerja la punta en el reactivo y presione el pulsador hasta la primera posición. Compruebe que la punta se encuentra debajo de la superficie.
2. Suelte el pulsador lentamente para que vuelva a la posición inicial. Esto llenará la punta. Mantenga la punta sumergida dentro de la solución.
3. Presione el pulsador hasta la primera posición y suéltelo lentamente. Repita este proceso hasta que la pared interior de la punta quede limpia.
4. Por último, presione el pulsador hasta la segunda posición para vaciar la punta completamente.



Calibración y ajuste

Todas las pipetas Finnpiptette se distribuyen ajustadas y calibradas de fábrica para trabajar dentro de los volúmenes especificados con agua destilada o desionizada y con la técnica directa. Recuerde que el uso de otras técnicas de pipeteo puede afectar al resultado de la calibración. Las pipetas se diseñan para permitir el reajuste para otras técnicas de pipeteo u otros líquidos con temperaturas y viscosidades diferentes.

Requisitos de los dispositivos y condiciones del ensayo

Debe utilizar una balanza de laboratorio. Determine el valor de sensibilidad de la escala de la balanza en función del volumen de ensayo seleccionado de la pipeta:

Rango volumétrico	Sensibilidad
Menos de 10 μl	0,001 mg
10-100 μl	0,01 mg
Más de 100 μl	0,1 mg

Líquido de ensayo: agua, destilada o desionizada, agua de "grado 3" conforme a la norma ISO 3696. Los ensayos se deben realizar en una habitación sin corrientes de aire, manteniendo el agua, la pipeta y el aire a una temperatura constante ($\pm 0,5$ °C) entre los 15 °C y 30 °C. La humedad relativa debe ser superior al 50%. La humedad del aire, especialmente cuando se trabaja con volúmenes inferiores a 50 μl , debe ser lo más elevada posible para reducir el efecto de la pérdida por evaporación. Se recomienda el uso de accesorios especiales, tales como el concentrador de evaporación.

Procedimiento de comprobación de la calibración

Se debe comprobar el volumen máximo (volumen nominal) y el volumen mínimo de la pipeta. Humedezca de 3 a 5 veces una nueva punta antes de usarla y realice una serie de diez repeticiones a cada volumen. Las pipetas se ajustan siempre para dispensar (Ex) el volumen seleccionado. Se recomienda utilizar la técnica directa de pipeteo. El número máximo permitido de errores se ha diseñado para la técnica directa. Se recomienda calibrar todos los canales en las pipetas multicanal, otro método también viable es calibrar sólo los canales externos. El ajuste se hace usando uno de los canales centrales. Se recomienda usar los límites de calibración de la norma ISO8655 que podemos observar en las siguientes tablas o usar especificaciones definidas por el usuario.

Procedimiento:

1. Realice 10 repeticiones al volumen mínimo.
2. Realice 10 repeticiones al volumen máximo.
3. Calcule la inexactitud (A) y la imprecisión (cv) de cada serie.
4. Compare los resultados con los límites.

Si los resultados calculados están dentro de los límites seleccionados, el ajuste de la pipeta es correcto.

Especificaciones de calibración según norma ISO 8655

La especificación para la Thermo Scientific Finnpiquette F3 se corresponde con la norma ISO 8655.

Finnpiquette F3 monocanal de volumen variable

Rango	Volumen μl	Inexactitud		Imprecisión	
		μl	%	s.d. μl	cv%
0.2-2 μ l	2	± 0.080	± 4	0.040	2.0
	0.2	± 0.080	± 40	0.040	20.0
1-10 μ l	10	± 0.120	± 1.2	0.080	0.8
	1	± 0.120	± 12	0.080	8.0
2-20 μ l	20	± 0.20	± 1.0	0.10	0.5
	2	± 0.20	± 10.0	0.10	5.0
5-50 μ l	50	± 0.50	± 1.0	0.20	0.4
	5	± 0.50	± 10	0.20	4.0
10-100 μ l	100	± 0.80	± 0.8	0.30	0.3
	10	± 0.80	± 8.0	0.30	3.0
20-200 μ l	200	± 1.60	± 0.8	0.60	0.3
	20	± 1.60	± 8.0	0.60	3.0
100-1000 μ l	1000	± 8.0	± 0.8	3.0	0.3
	100	± 8.0	± 8.0	3.0	3.0
0.5-5 ml	5000	± 40.0	± 0.8	15.0	0.3
	500	± 40.0	± 8.0	15.0	3.0
1-10 ml	10000	± 60.0	± 0.6	30.0	0.3
	1000	± 60.0	± 6.0	30.0	3.0

Finnpiquette F3 monocanal de volumen fijo

Fixed Volume μl	Inexactitud		Imprecisión	
	μl	%	s.d. μl	cv%
1	± 0.050	± 5.00	0.050	5.00
5	± 0.125	± 2.50	0.075	1.50
10	± 0.120	± 1.20	0.080	0.80
20	± 0.20	± 1.00	0.10	0.50
25	± 0.50	± 2.00	0.20	0.80
50	± 0.50	± 1.00	0.20	0.40
100	± 0.80	± 0.80	0.30	0.30
200	± 1.6	± 0.80	0.60	0.30
250	± 4.0	± 1.60	1.50	0.60
500	± 4.0	± 0.80	1.50	0.30
1000	± 8.0	± 0.80	3.00	0.30

Español

Límites de especificación del fabricante

Finnpipette F3 monocanal de volumen variable

Range	Volume μ l	Inaccuracy		Imprecisión		Punta de calibración en fábrica
		μ l	%	s.d. μ l	cv%	
0.2-2 μ l	2	$\pm 0,050$	$\pm 2,50$	0,040	2,00	Flex 10
	0,2	$\pm 0,024$	$\pm 12,00$	0,020	10,00	
1-10 μ l, micro	10	$\pm 0,100$	$\pm 1,00$	0,050	0,50	Flex 10
	1	$\pm 0,025$	$\pm 2,50$	0,020	2,00	
1-10 μ l	10	$\pm 0,100$	$\pm 1,00$	0,080	0,80	Flex 200
	1	$\pm 0,035$	$\pm 3,50$	0,030	3,00	
2-20 μ l, micro	20	$\pm 0,20$	$\pm 1,00$	0,08	0,40	50
	2	$\pm 0,06$	$\pm 3,00$	0,05	2,50	
2-20 μ l	20	$\pm 0,20$	$\pm 1,00$	0,08	0,40	Flex 200
	2	$\pm 0,06$	$\pm 3,00$	0,05	2,50	
5-50 μ l, micro	50	$\pm 0,30$	$\pm 0,60$	0,15	0,30	50
	5	$\pm 0,15$	$\pm 3,00$	0,125	2,50	
5-50 μ l	50	$\pm 0,30$	$\pm 0,60$	0,15	0,30	Flex 200
	5	$\pm 0,15$	$\pm 3,00$	0,125	2,50	
10-100 μ l	100	$\pm 0,80$	$\pm 0,80$	0,20	0,20	Flex 200
	10	$\pm 0,30$	$\pm 3,00$	0,10	1,00	
20-200 μ l	200	$\pm 1,2$	$\pm 0,60$	0,4	0,20	Flex 200
	20	$\pm 0,36$	$\pm 1,80$	0,14	0,70	
100-1000 μ l	1000	$\pm 6,0$	$\pm 0,60$	2,0	0,20	Flex 1000
	100	$\pm 1,0$	$\pm 1,00$	0,6	0,60	
0,5-5 ml	5000	$\pm 25,0$	$\pm 0,50$	10,0	0,20	5 ml
	500	$\pm 10,0$	$\pm 2,00$	4,0	0,80	
1-10 ml	10000	$\pm 50,0$	$\pm 0,50$	20,0	0,20	10 ml
	1000	$\pm 20,0$	$\pm 2,00$	8,0	0,80	

Finnpipette F3 monocanal de volumen fijo

Fixed Volume μ l	Inaccuracy		Imprecisión		Punta de calibración en fábrica
	μ l	%	s.d. μ l	cv%	
1	$\pm 0,040$	$\pm 4,00$	0,040	4,00	Flex 10
5	$\pm 0,070$	$\pm 1,40$	0,070	1,40	Flex 10
10	$\pm 0,090$	$\pm 0,90$	0,080	0,80	Flex 200
20	$\pm 0,14$	$\pm 0,70$	0,10	0,50	Flex 200
25	$\pm 0,15$	$\pm 0,60$	0,125	0,50	Flex 200
50	$\pm 0,30$	$\pm 0,60$	0,20	0,40	Flex 200
100	$\pm 0,40$	$\pm 0,40$	0,30	0,30	Flex 200
200	$\pm 0,80$	$\pm 0,40$	0,60	0,30	Flex 200
250	$\pm 1,0$	$\pm 0,40$	0,75	0,30	Flex 1000
500	$\pm 1,5$	$\pm 0,30$	1,5	0,30	Flex 1000
1000	$\pm 3,0$	$\pm 0,30$	3,0	0,30	Flex 1000

Ajuste

El ajuste se realiza sólo para un volumen. El volumen de ajuste recomendado es el volumen mínimo o el 10% del volumen máximo.

1. Inserte la herramienta de servicio en las aberturas de la tuerca de calibración que se encuentra en la parte superior del mango.
2. Gire la herramienta de servicio en el sentido de las agujas del reloj para aumentar el volumen o en la dirección opuesta para disminuirlo.
3. Una vez ajustado el volumen, compruebe la calibración siguiendo las instrucciones descritas anteriormente.



Fórmulas para el cálculo de los resultados

Conversión de masa a volumen

$$V = (w + e) \times Z$$

V = volumen (μl)
 w = peso (mg.)
 e = pérdida por evaporación (mg.)
 Z = factor de conversión para la conversión $\mu\text{l}/\text{mg}$

La pérdida por evaporación puede ser un factor relevante cuando se trabaja con volúmenes reducidos. Para determinar la pérdida de masa, llene de agua el recipiente a pesar, observe la lectura obtenida y ponga en marcha un cronómetro. Compruebe cómo disminuyen los valores al cabo de 30 segundos (p. ej., 6 mg = 0,2 mg/s).

Compare esta lectura con el tiempo de pipeteo transcurrido entre la acción y la lectura. Normalmente, el tiempo de pipeteo es de 10 segundos y la pérdida de masa de 2 mg (10 s x 0,2 mg/s) en este ejemplo. Si cubre el recipiente con un concentrador de evaporación o una tapa, no es preciso por lo general que corrija la evaporación.

El factor Z se utiliza para convertir el peso del agua en volumen a una temperatura y presión de ensayo. Un valor típico es 1,0032 $\mu\text{l}/\text{mg}$ a 22 °C y 95 kPa. Consulte la tabla de conversiones de la página 52.

Inexactitud (error sistemático)

La inexactitud es la diferencia entre el volumen dispensado y el volumen seleccionado de una pipeta.

$$A = \bar{V} - V_0$$

A = Inexactitud
 \bar{V} = Volumen medio
 V_0 = Volumen nominal

La inexactitud se puede expresar como un valor relativo: $A\% = 100\% \times A / V_0$

Imprecisión (error aleatorio)

La imprecisión hace referencia a la repetibilidad del pipeteo. Se expresa en forma de desviación estándar (s) o como coeficiente de variación (cv)

$$S = \sqrt{\frac{\sum_{i=1}^n (V_i - \bar{V})^2}{n-1}}$$

s = Desviación estándar
 \bar{V} = Volumen medio
 n = Número de mediciones

La desviación estándar se puede expresar como un valor relativo (CV) $CV = 100\% \times S / \bar{V}$

Mantenimiento

Guarde la pipeta Finnpiptette F3 cuando no se utilice y asegúrese de que se encuentra en posición vertical. Se recomienda para este propósito el uso del soporte especial para pipetas Finnpiptette. La referencia se refiere a las vistas de detalle del principio de la página 53.

Mantenimiento a corto plazo

Compruebe al comienzo de cada día que no haya polvo ni suciedad en las superficies externas de la pipeta.

Preste especial atención al cono portapuntas. Utilice exclusivamente etanol al 70% para limpiar la pipeta (no utilice otro tipo de disolvente).

Mantenimiento a largo plazo

Si la pipeta se utiliza diariamente, debe verificarla cada tres meses. El servicio de mantenimiento empieza por desmontar la pipeta.

Pipetas de 1-1000 μl

1. Pulse el expulsor.
2. Gire el expulsor 11 en el sentido contrario a las agujas del reloj y tire de él hacia fuera.
3. Gire hacia fuera el cono portapuntas en el sentido contrario a las agujas del reloj con ayuda de la herramienta de servicio.
4. Tire del émbolo y las demás piezas hacia fuera. Presione hacia fuera el émbolo con el resto del conjunto de émbolo. A continuación, invierta el cono portapuntas y golpee suavemente todas las piezas para retirarlas del cono portapuntas. Recuerde que debe conservar todas las piezas en orden sobre la mesa, para el montaje posterior.

5. Limpie el émbolo, el muelle del émbolo y las juntas tóricas con un paño seco sin hilos.
6. Compruebe que el cono portapuntas no contenga partículas extrañas.
7. Engrase las partes limpias con el lubricante que viene con la pipeta.
8. Vuelva a montar los componentes de la pipeta.

0,2-2 µl y 1-10 µl: Deslice primero el muelle 22, el soporte 23 para junta tórica y la junta tórica 24 en el tubo 21. En el modelo para 0,2-2 µl, inserte el tubo 27 en el tubo 21. A continuación, deslice de nuevo en el émbolo el muelle 13, el soporte 16 para muelle y los tubos 17 y 18, la junta tórica mayor 19 y la junta tórica menor 20.

Comprima el muelle con los dedos presionando el émbolo y el soporte 16 para muelle uno contra otro y deslice el tubo 21 con el resto de las partes del émbolo. Mantenga comprimido el muelle y deslice cuidadosamente todo el conjunto hacia el interior del cono portapuntas, liberando a continuación el muelle.

2-20 µl y 5-50 µl: Deslice el muelle 13, el soporte 16 para muelle y los tubos 17 y 18, la junta tórica mayor 19 y la junta tórica menor 20 de nuevo en el émbolo. Comprima el muelle con los dedos presionando el émbolo y el soporte 16 para muelle uno contra otro y deslice la junta tórica mayor 19, la junta tórica menor 20, el soporte 21 para muelle y el muelle 22 (con el diámetro menos apoyado contra el soporte 21 para muelle) en el émbolo.

Mantenga comprimido el muelle y deslice cuidadosamente todo el conjunto hacia el interior del cono portapuntas, liberando a continuación el muelle.

10-100 µl y 20-200 µl: Deslice el muelle 13, el soporte 16 para muelle y la junta tórica 17 de nuevo en el émbolo. Deslice todo el conjunto hacia el interior del cono portapuntas.

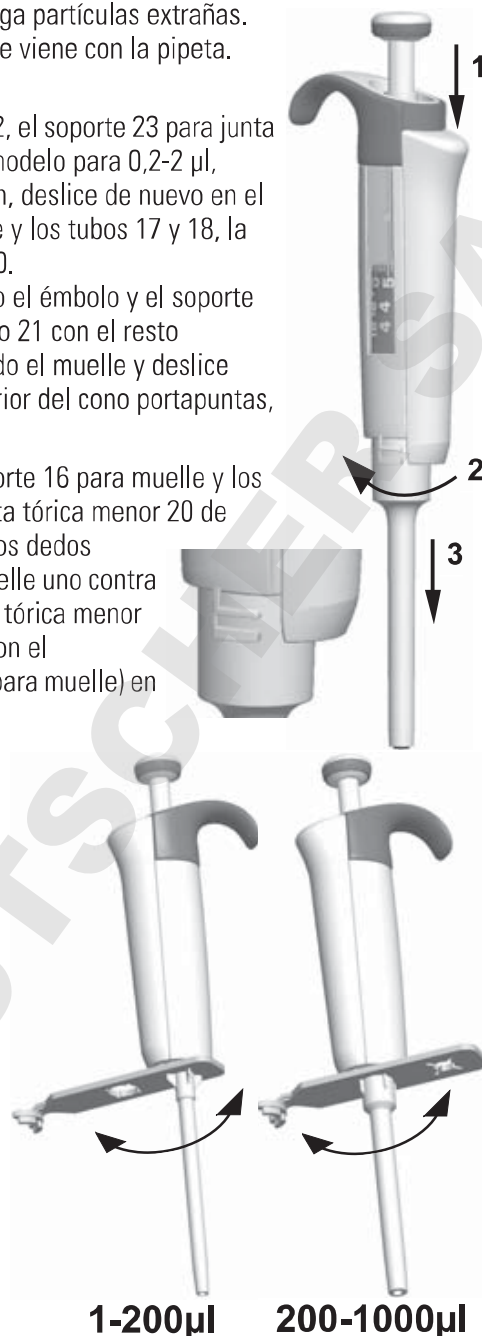
100-1000µl: Coloque la junta tórica 17 y el anillo de soporte 16 en el cono portapuntas. Deslice el muelle 13 en el pistón y deslice todo el conjunto en el cono portapuntas.

9. **Todas:** Coloque el muelle 15 y el soporte 14 en la parte superior del cono portapuntas 11 e inserte cuidadosamente el conjunto de cono portapuntas en el mango. Fije el cono portapuntas apretándolo primero a mano efectuando un giro hacia la derecha y luego realice el ajuste definitivo con la herramienta de servicio.

10. Vuelva a montar el expulsor.

Pipetas de 0.5-5 ml y 1-10 ml

1. Pulse el expulsor.
2. Gire el expulsor 10 en el sentido contrario a las agujas del reloj para abrirlo.
3. Desmonte la parte inferior del expulsor 14 (ajuste a presión).
4. Gire el cilindro 13 en el sentido contrario a las agujas del reloj y tire del conjunto de cono portapuntas hacia fuera.
5. Retire el cilindro 13 presionando los ajustes a presión del cilindro.
6. Limpie y reengrase la junta tórica 12 y el cilindro 13.
7. Monte las piezas en el orden opuesto al del desmontaje.



Esterilización

Para esterilizar el cono portapuntas, introdúzcalo en el autoclave a 121°C (252 °F) (2 ata) durante unos 20 minutos. Puede utilizar bolsas para la esterilización con vapor cuando sea necesario. Una vez esterilizado en el autoclave, deje enfriar el módulo a temperatura ambiente durante dos horas como mínimo. Antes de pipetear, compruebe que el módulo está seco. Es aconsejable que compruebe la calibración cada vez que termine el ciclo de esterilización.

Solución de problemas

En la tabla que aparece a continuación se describen varios problemas que pueden surgir y la manera de solucionarlos.

Defecto	Posible causa	Solución
<i>Goteo</i>	<i>Colocación incorrecta de la punta.</i>	<i>Coloque la punta firmemente.</i>
	<i>Presencia de partículas extrañas entre la punta y el cono portapuntas.</i>	<i>Limpie los conos portapuntas y coloque puntas nuevas.</i>
	<i>Presencia de partículas extrañas entre el émbolo, la junta tórica y el cilindro.</i>	<i>Limpie y lubrique la junta tórica y el cilindro.</i>
	<i>Cantidad insuficiente de lubricante en el cilindro y la junta tórica.</i>	<i>Lubrique los componentes correctamente.</i>
	<i>La junta tórica está dañada.</i>	<i>Cambie la junta tórica.</i>
<i>Dispensación errónea</i>	<i>Manejo incorrecto.</i>	<i>Siga las instrucciones atentamente.</i>
	<i>Colocación incorrecta de la punta.</i>	<i>Coloque la punta firmemente.</i>
	<i>Cono portapuntas flojo.</i>	<i>Apriete el cono portapuntas con la herramienta de servicio.</i>
<i>Dispensación errónea con determinados líquidos</i>	<i>Cambios en la calibración: causados por un mal uso, por ejemplo, una calibración inapropiada.</i>	<i>Vuelva a calibrar la pipeta siguiendo las instrucciones.</i>
	<i>Puede que deba volver a calibrar la pipeta para trabajar con líquidos muy viscosos.</i>	<i>Vuelva a calibrar la pipeta con los líquidos con los que va a trabajar.</i>

ADVERTENCIA

El mantenimiento de la pipeta Finnpipette se puede llevar a cabo fácilmente en el laboratorio. Si desea que nosotros o su representante local realicemos este servicio, envíenos la pipeta, asegurándose de descontaminarla previamente. Tenga en cuenta que las autoridades del servicio de correos de su país pueden prohibir o limitar el envío de materiales contaminados.

製品について

フィンピペットF3は、液体の正確な分量を採取して分注するための連続可変式マイクロピペットです。フィンピペットF3は、空気置換（エアインターフェース）方式で動作し、取り外し可能な使い捨てチップを採用しています。

分注容量は、ハンドルにあるディスプレイ（表示窓）に表示されます。

フィンピペットF3の容量可変ピペットには12種類のモデルがあり、0.2 µlから10 mlまでの容量範囲に対応しています。

製品番号	容量範囲	カラーコード	フィンチップ
4640110	0, 2-2 µl	ピンク	フレックス10、10、20、50
4640000	1-10 µl	ピンク	フレックス10、10、20、50
4640010	1-10 µl	イエロー	フレックス200, 250ユニバーサル, 200Ext, 300, フレックス300
4640020	2-20 µl	トルコ石	50
4640030	2-20 µl	イエロー	フレックス200, 250ユニバーサル, 200Ext, 300, フレックス300
4640080	5-50 µl	トルコ石	50
4640090	5-50 µl	イエロー	フレックス200, 250ユニバーサル, 200Ext, 300, フレックス300
4640040	10-100 µl	イエロー	フレックス200, 250ユニバーサル, 200Ext, 300, フレックス300
4640050	20-200 µl	イエロー	フレックス200, 250ユニバーサル, 200Ext, 300, フレックス300
4640060	100-1000 µl	ブルー	フレックス1000、1000、1000 Ext
4640100	0, 5-5 ml	グリーン	5 ml
4640070	1-10 ml	レッド	10 ml、フレックス10 ml Ext

フィンピペットF3の固定容量式ピペットには11種類のモデルがあり、1 µlから10 mlまでの容量範囲に対応しています。

製品番号	容量範囲	カラーコード	フィンチップ
4650000	1 µl	ダークブルー	フレックス10、10、20、50
4650010	5 µl	ダークブルー	フレックス10、10、20、50
4650020	10 µl	ダークブルー	フレックス200, 250ユニバーサル, 200Ext, 300, フレックス300
4650090	20 µl	ダークブルー	フレックス200, 250ユニバーサル, 200Ext, 300, フレックス300
4650030	25 µl	ダークブルー	フレックス200, 250ユニバーサル, 200Ext, 300, フレックス300
4650040	50 µl	ダークブルー	フレックス200, 250ユニバーサル, 200Ext, 300, フレックス300
4650050	100 µl	ダークブルー	フレックス200, 250ユニバーサル, 200Ext, 300, フレックス300
4650100	200 µl	ダークブルー	フレックス200, 250ユニバーサル, 200Ext, 300, フレックス300
4650060	250 µl	ダークブルー	フレックス1000、1000、1000 Ext
4650070	500 µl	ダークブルー	フレックス1000、1000、1000 Ext
4650080	1000 µl	ダークブルー	フレックス1000、1000、1000 Ext

デジタルディスプレイ

設定した容量は、ハンドルにある大きなディスプレイ（表示窓）にはっきり表示されます。



材質

フィンピペットF3は、耐摩耗性、耐薬品性に優れた材料を採用しています。チップコンモジュールは、121°Cで繰り返しオートクレーブにかけることができます。


チップ

フィンチップとフィンピペットF3を組み合わせることをお勧めします。フィンチップは、コンタミネーションがない、チップに適した唯一の材質とされる無着色のポリプロピレン製です。また、フィンチップはオートクレーブ処理が可能です（121°C）。

パッケージ

特別に設計されたフィンピペットF3のパッケージには、次のものが入っています。

1. フィンピペット
2. サービスツール
3. フィンチップ（サンプル）
4. バッググリース 1g（製品番号 3300200）
5. 取扱説明書
6. 検定証明書/保証書
7. シェルフハンガー（製品番号 2206040）
8. ステッカー2枚

注意事項はこのシンボルマークで表します。 

使用目的

この製品の使用目的は、0,2 µlから10 mlまでの量の液体の移動です。 Finnpiquette F3 ピペットとFinntipsチップは、信頼性と確実性のある結果を得るためのシステムの検証に責任を有するエンドユーザー用に分析システムのコンポーネントとして設計されています。



健康被害

- ▶ 防護服、保護眼鏡、手袋の着用など、危険防止と安全の指示に関する一般手順に従ってください。
- ▶ 危険性（放射性および感染の可能性など）のある物質の使用と廃棄物処理については、安全に関する指示や一般の試験所基準に従ってください。
- ▶ ピペットとチップはin vivoでの使用を意図していません。ピペットは、ヒトの体内に注入する液体のピペッティングに使用しないでください。
- ▶ チップを他の人に向けて取り外さないでください。

Finnpiquette F3 はラボにおいて必要なスキルを持ち、トレーニングを受けた方がご使用ください。製品（ピペットとチップ）の使用前および使用中についての注意を必ずお読みください。F3ピペットは+4° C~+40° Cで使用できます。



不正確な分注結果

- ▶ パフォーマンスは以下によって影響を受けることがあります。
 - a. ピペッティング方法（フォワード法をお勧めします）
 - b. 温度（空気、液体、容器、ピペット、チップ）
 - c. 気圧
 - d. 湿度
 - e. オペレータの個人差。例えば、親指の動き、ピペッティング角度
 - f. 液体濃度、粘性および蒸気圧
 - g. チップの種類
- ▶ ピペッティングパフォーマンスが特定のアプリケーションの結果に重要な影響を及ぼす場合、結果を別な試験で検証するか、それができない場合はデュプリケートをとって確認する必要があります。ピペッティング中の分注容量が正確でない可能性を、完全に排除することはできません。
- ▶ 不正確な分注またはリークを防ぐために、チップがピペットに適切に装着されていることを確認してください。
- ▶ 容量設定ボタンを回すときは、ピペットの容量レンジを超えないでください。ピペットが損傷したり、ピペッティングパフォーマンスに影響を及ぼしたりすることがあります。
- ▶ チップを再使用した場合、ピペッティングパフォーマンスは保証できません。
- ▶ カラーコードが一致するチップとピペットを選択してください。

材料の廃棄

バイオハザード廃棄物または放射性廃棄物の処分には、研究室と国で定められた手順に従ってください。伝染性物質の廃棄に関する現地の規定を参照してください。

警告 先端は伝染性である場合があります。すべての使用済みの先端はバイオハザード廃棄物として廃棄してください。

警告 廃棄前にピペットの汚染除去を行ってください。セクション を参照してください。

廃棄物処理に関しては、各自治体の環境局にお問い合わせください。詳しくは、弊社（info.pipettes@thermofisher.com）までお問い合わせください。

元の梱包と梱包材に関しては、正規リサイクル業者を使ってください。

詳細情報は、最寄りのThermo Fisher Scientific代理店に連絡してください。

ピペットの操作

分注容量の設定

1. ピペット上端のプッシュボタンで分注容量をセットします。分注容量を増やすには、プッシュボタンを反時計回りに回します。分注容量を減らすには、プッシュボタンを時計回りに回します。
2. 設定したい分注容量がカチッと正しい位置にセットされ、ディスプレイに正しい容量が表示されていることを確認してください。
3. ピペットの規格容量範囲外の容量を設定しないでください。規格の容量範囲外までプッシュボタンを無理に回そうとすると、故障や損傷の原因になることがあります。



安全ラベル

安全ラベルにはピペットの用途、ユーザーのイニシャル、校正日などを記載できます。古くなったラベルは尖った針で取り外してください。新しいラベルに鉛筆で記入して、元の位置にスライドさせます。



チップイジェクション

コンタミネーション防止のため、各ピペットにチップイジェクタシステムが備わっています。ピペットの先端を廃棄容器に向け、親指でチップイジェクタを押すと、チップに手を触れずに外すことができます。

ピペティングテクニック

プッシュボタンの操作は常にゆっくり行い、特に粘性の高い液体を扱うときは、ゆっくりと押してゆっくりと離します。プッシュボタンをはじくような扱いは決してしないでください。

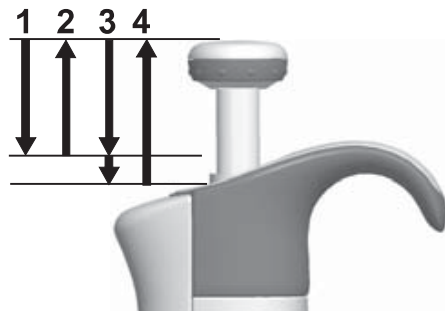
チップがチップコーンにしっかりと装着していることを確認してください。チップ内部に異物が入っていないことを確認してください。

分注を始める前に、分注する溶液を2、3回吸排します。溶液を吸引するときは、ピペットを垂直に保ち、人差し指の上にフィンガーレストがかかるように握ってください。チップ、ピペットおよび溶液が、同じ温度であることを確認してください。

フォワード法

分注する溶液をきれいな容器（リザーバー）に入れます。

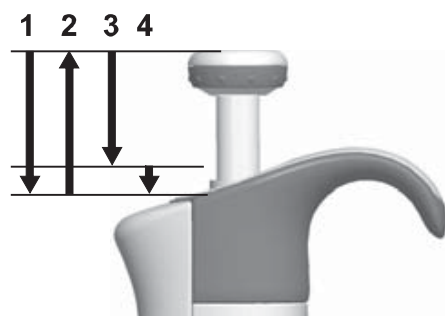
1. プッシュボタンを1段目まで押し下げます。
2. チップを容器に入った分注液の液面から約1cm下まで浸し、プッシュボタンをゆっくりと離します。チップを溶液から引き上げ、容器の縁に先端を軽く触れて外側についた余分な溶液を除きます。
3. プッシュボタンを1段目まで静かに押し下げ、溶液を分注します。約1秒後、続けてプッシュボタンを2段目まで押し下げます。チップの中が空になります。
4. プッシュボタンを離してレディポジションに戻します。必要に応じてチップを交換し、ピペティングを続けます。



リバーズ法

リバーズ法は、粘性の高い液体や泡立ちやすい溶液の分注に適しています。また、微量分注にもお勧めします。分注する溶液をきれいな容器（リザーバー）に入れます。

1. プッシュボタンを2段目まで押し下げます。
2. チップを容器に入った分注液の液面から約1cm下まで浸し、プッシュボタンをゆっくりと離します。チップが溶液で満たされます。チップを溶液から引き上げ、容器の縁に先端を軽く触れて外側についた余分な溶液を除きます。

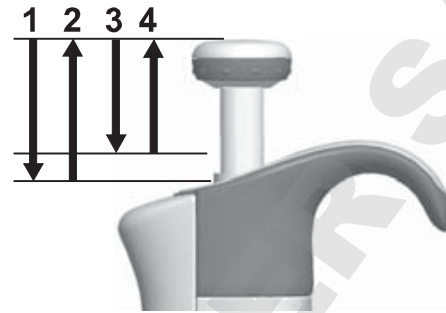


3. プッシュボタンを1段目まで静かに押し下げ、設定した容量の溶液を分注します。プッシュボタンは、必ず1段目までで止めてください。チップの中に少量の溶液が残りますが、これは分注しません。
4. チップ内に残った溶液を、廃棄するか元の容器に戻します。

リピート法

リピート法は、同じ溶液を同じ容量だけ、繰り返しすばやく分注するのに適しています。分注する溶液をきれいな容器（リザーバー）に入れます。

1. プッシュボタンを2段目まで押し下げます。
2. チップを容器に入った分注液の液面から約1cm下まで浸し、プッシュボタンをゆっくりと離します。チップが溶液で満たされます。チップを溶液から引き上げ、容器の縁に先端を軽く触れて外側についた余分な溶液を除きます。
3. プッシュボタンを1段目まで静かに押し下げ、設定した容量の溶液を分注します。プッシュボタンは、必ず1段目までで止めてください。チップの中に少量の溶液が残りますが、これは分注しません。
4. 手順3と4を繰り返して分注を続けます。

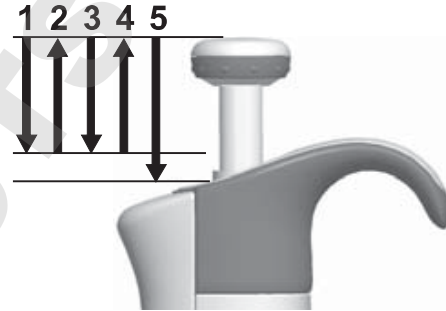


不均質なサンプルの分注

（血糖値測定時の除蛋白操作など）

フォワード法の手順1と2に従って、チップに血液を吸引します。乾いたきれいなティッシュペーパーでチップを慎重に拭いてください。

1. 分注済みの試薬の中にチップを浸し、プッシュボタンを1段目まで押し下げます。チップの先端が試薬の液面より十分下にあることを常に確認してください。
2. プッシュボタンをゆっくりと離してレディポジションに戻します。チップの中に試薬が入ってきます。チップの先端を試薬に浸したままにしておきます。
3. プッシュボタンを1段目まで押し下げ、再びゆっくりと離します。チップの内壁がきれいになるまでこの手順を繰り返します。
4. 最後に、プッシュボタンを2段目まで押し下げてチップの中を完全に空にします。



キャリブレーション

フィンピペットはすべて、蒸留水またはイオン交換水を使用し、フォワード法により工場出荷時にキャリブレーションを行っています。フォワード法以外の分注法では、結果が異なる場合があります。フィンピペットは、フォワード法以外で分注する場合や、温度や粘性の異なる液体を扱う場合、容易に検定および容量調整を行うことができます。

使用機器と検定条件

分析用天秤が必要です。天秤の感量は、ピペットの検定容量に合わせて選択してください。

検定容量	感量
10 µl未満	0.001 mg
10-100 µl	0.01 mg
100 µl超	0.1 mg

検定液は、蒸留水またはイオン交換水（ISO 3696「grade 3」に準拠するもの）を使用します。通風がなく、ピペット、チップ、検定液、室温が15~30°Cで安定（±0.5°C）した状態で検定を行ってください。相対湿度は、50%以上必要です。特に50µl以下の容量では、できるだけ湿度が高い方が蒸発の影響を防ぐことができます。エヴァポレーショントラップなどのアクセサリを使用することもお勧めします。

検定

ピペットは、最大容量（名目容量）と最小容量で検定します。新しいチップを装着し、検定液の吸排を3～5回行った後、それぞれの容量について10回ずつピペッティングを行います。ピペットは、常に選択した容量を分注（Ex）するように調整します。フォワード法での検定をお勧めします。最大許容誤差は、フォワード法で定められています。マルチチャンネルの場合は全てのチャンネルを検定することをお勧めしますが、両端チャンネルのみで検定することも可能です。調整は中央のどちらかのチャンネルにて行います。後述のIS08655キャリブレーション規格の表またはお客様がお決めになった規格で比較することをお勧めします。

手順：

1. 最小容量で10回ピペッティングし、天秤でそれぞれの重量を測定します。
2. 最大容量で10回ピペッティングし、天秤でそれぞれの重量を測定します。
3. それぞれの容量について、不正確度（A）と不精密度（cv）を計算します。
4. 結果を表1の規格と比較します。

計算結果が規格範囲内ならば、ピペットが適切に調整されています。

IS08655キャリブレーション規格

Thermo Scientific Finnpiquette F3の仕様はIS08655規格に準拠しています。

Finnpiquette F3容量可変シングルチャンネル

容量範囲	容量 μl	不正確度		不精密度	
		μl	%	s.d. μl	cv%
0.2-2 μl	2	± 0.080	± 4	0.040	2.0
	0.2	± 0.080	± 40	0.040	20.0
1-10 μl	10	± 0.120	± 1.2	0.080	0.8
	1	± 0.120	± 12	0.080	8.0
2-20 μl	20	± 0.20	± 1.0	0.10	0.5
	2	± 0.20	± 10.0	0.10	5.0
5-50 μl	50	± 0.50	± 1.0	0.20	0.4
	5	± 0.50	± 10	0.20	4.0
10-100 μl	100	± 0.80	± 0.8	0.30	0.3
	10	± 0.80	± 8.0	0.30	3.0
20-200 μl	200	± 1.60	± 0.8	0.60	0.3
	20	± 1.60	± 8.0	0.60	3.0
100-1000 μl	1000	± 8.0	± 0.8	3.0	0.3
	100	± 8.0	± 8.0	3.0	3.0
0.5-5 ml	5000	± 40.0	± 0.8	15.0	0.3
	500	± 40.0	± 8.0	15.0	3.0
1-10 ml	10000	± 60.0	± 0.6	30.0	0.3
	1000	± 60.0	± 6.0	30.0	3.0

Finnpiquette F3容量固定シングルチャンネル

容量 μl	不正確度		不精密度	
	μl	%	s.d. μl	cv%
1	± 0.050	± 5.00	0.050	5.00
5	± 0.125	± 2.50	0.075	1.50
10	± 0.120	± 1.20	0.080	0.80
20	± 0.20	± 1.00	0.10	0.50
25	± 0.50	± 2.00	0.20	0.80
50	± 0.50	± 1.00	0.20	0.40
100	± 0.80	± 0.80	0.30	0.30
200	± 1.6	± 0.80	0.60	0.30
250	± 4.0	± 1.60	1.50	0.60
500	± 4.0	± 0.80	1.50	0.30
1000	± 8.0	± 0.80	3.00	0.30

メーカー規格

Finnpipette F3容量可変シングルチャンネル

範囲	検定容量	不正確度		不精密度		工場キャリブレーションチップ
	μl	μl	%	s.d. μl	cv%	
0.2-2 μl	2	$\pm 0,050$	$\pm 2,50$	0,040	2,00	Flex 10
	0,2	$\pm 0,024$	$\pm 12,00$	0,020	10,00	
1-10 μl , micro	10	$\pm 0,100$	$\pm 1,00$	0,050	0,50	Flex 10
	1	$\pm 0,025$	$\pm 2,50$	0,020	2,00	
1-10 μl	10	$\pm 0,100$	$\pm 1,00$	0,080	0,80	Flex 200
	1	$\pm 0,035$	$\pm 3,50$	0,030	3,00	
2-20 μl , micro	20	$\pm 0,20$	$\pm 1,00$	0,08	0,40	50
	2	$\pm 0,06$	$\pm 3,00$	0,05	2,50	
2-20 μl	20	$\pm 0,20$	$\pm 1,00$	0,08	0,40	Flex 200
	2	$\pm 0,06$	$\pm 3,00$	0,05	2,50	
5-50 μl , micro	50	$\pm 0,30$	$\pm 0,60$	0,15	0,30	50
	5	$\pm 0,15$	$\pm 3,00$	0,125	2,50	
5-50 μl	50	$\pm 0,30$	$\pm 0,60$	0,15	0,30	Flex 200
	5	$\pm 0,15$	$\pm 3,00$	0,125	2,50	
10-100 μl	100	$\pm 0,80$	$\pm 0,80$	0,20	0,20	Flex 200
	10	$\pm 0,30$	$\pm 3,00$	0,10	1,00	
20-200 μl	200	$\pm 1,2$	$\pm 0,60$	0,4	0,20	Flex 200
	20	$\pm 0,36$	$\pm 1,80$	0,14	0,70	
100-1000 μl	1000	$\pm 6,0$	$\pm 0,60$	2,0	0,20	Flex 1000
	100	$\pm 1,0$	$\pm 1,00$	0,6	0,60	
0,5-5 ml	5000	$\pm 25,0$	$\pm 0,50$	10,0	0,20	5 ml
	500	$\pm 10,0$	$\pm 2,00$	4,0	0,80	
1-10 ml	10000	$\pm 50,0$	$\pm 0,50$	20,0	0,20	10 ml
	1000	$\pm 20,0$	$\pm 2,00$	8,0	0,80	

Finnpipette F3容量固定シングルチャンネル

固定容量	不正確度		不精密度		工場キャリブレーションチップ	
	μl	μl	%	s.d. μl		cv%
1	$\pm 0,040$	$\pm 4,00$		0,040	4,00	Flex 10
5	$\pm 0,070$	$\pm 1,40$		0,070	1,40	Flex 10
10	$\pm 0,090$	$\pm 0,90$		0,080	0,80	Flex 200
20	$\pm 0,14$	$\pm 0,70$		0,10	0,50	Flex 200
25	$\pm 0,15$	$\pm 0,60$		0,125	0,50	Flex 200
50	$\pm 0,30$	$\pm 0,60$		0,20	0,40	Flex 200
100	$\pm 0,40$	$\pm 0,40$		0,30	0,30	Flex 200
200	$\pm 0,80$	$\pm 0,40$		0,60	0,30	Flex 200
250	$\pm 1,0$	$\pm 0,40$		0,75	0,30	Flex 1000
500	$\pm 1,5$	$\pm 0,30$		1,5	0,30	Flex 1000
1000	$\pm 3,0$	$\pm 0,30$		3,0	0,30	Flex 1000

調整

調整は1つの容積に対してのみ行います。推奨される調整容積は、最小容積または最大容積の10%です。

1. サービスツールを、ハンドル上端にあるキャリブレーションナットの開口部に差し込みます。
2. サービスツールを時計回りに回すと分注容量が増え、反時計回りに回すと分注容量が減ります。
3. 調整後に、上記の手順に従って再度検定を行い、規格に適合するかどうかを確認してください。



計算式

重量から容量への変換

$$V = (w + e) \times Z$$

V = 容量 (μl)
 w = 重量 (mg)
 e = 蒸発量 (mg)
 Z = 変換係数 ($\mu\text{l}/\text{mg}$ 変換)

蒸発量は、特に微量の検定で問題になることがあります。蒸発量を調べるには、検定液を測定容器に分注し、天秤で重量を読み取って記録し、直ちにストップウォッチを押します。読み取り値が30秒でどのくらい減少するか（例えば6 mg = 0.2 mg/秒）を調べます。読み取った重量を風袋消去から読み取りまでにかかるピペッティング時間と比較します。1回のピペッティング（風袋消去-分注-読み取り）に10秒かかるとすると、この例では、蒸発量は2 mg (10s x 0.2mg/秒) になります。エヴァポレーショントラップや容器のふたなどを使用する場合は、通常、蒸発に関する補正は必要ありません。

変換係数Zは、検定時の温度および気圧での水の重量を容量に換算するための係数です。例えば、22°C、95kPaの場合は、1.0032 $\mu\text{l}/\text{mg}$ です。詳しくは、52ページの変換係数表を参照してください。

不正確度（システム誤差）

不正確度は、実際に分注された容量と設定した分注容量との差異です。

$$A = \bar{V} - V_0$$

A = 誤差
 \bar{V} = 分注容量の平均値
 V_0 = 設定した分注容量

不正確度は、相対値として表すことができます。 $A\% = 100\% \times A / V_0$

不精密度（ランダム誤差）

不精密度は、ピペッティングの再現性を表します。不精密度は、標準偏差 (s) または変動係数 (cv) で表します。

$$S = \sqrt{\frac{\sum_{i=1}^n (V_i - \bar{V})^2}{n-1}}$$

s = 標準偏差
 \bar{V} = 分注容量の平均値
 n = 測定回数

標準偏差は、相対値 (CV) として表すことができます。 $CV = 100\% \times S / \bar{V}$

メンテナンス

フィンピペットF3を使用しないときは、垂直に立てて保管してください。フィンピペットスタンドを使うと便利です。

パーツ番号は、53ページ以降の分解図に対応しています。

短期点検

毎日、ピペットを使用する前に、ピペットの外側の表面にほこりや汚れが付いていないかどうかを確認してください。

特に、チップコーンについては注意が必要です。ピペットのクリーニングには、70%エタノール以外の溶剤は使用しないでください。

長期メンテナンス

ピペットを毎日使用する場合は、3か月ごとに点検を行ってください。まず、ピペットを分解します。

1-1000 μl ピペット

1. チップイジェクタを押します。
2. チップイジェクタ11を反時計回りに回して引き抜きます。
3. サービスツールでチップコーンを反時計回りにひっくり返します。
4. ピストンとその他のパーツを引き抜きます。ピストンと一緒にピストンの残りの組み立てパーツを押し出します。次に、チップコーンを上下逆にし、チップコーンからパーツをすべて抜き取ります。あとで組み立て直すときに備えて、パーツはテーブル上に順番に置いてください。
5. けばのない乾いた布でピストン、ピストンスプリング、Oリングを拭きます。
6. チップコーン内に異物が入っていないか確認します。
7. ピペットに同梱されているグリースを、クリーニング済のパーツに塗ります。



8. ピペットのパーツを再度組み立てます。

0.2-2 μL および 1-10 μL : まず、スプリング (22)、リングサポート (23) およびリング (24) をチューブ (21) に装着します。0.2-2 μL モデルについては、チューブ (27) をチューブ (21) に挿入します。

次にスプリング (13)、スプリングサポート (16) とチューブ (17 および 18)、大きい方のリング (19) と小さい方のリング (20) をピストンに装着します。

ピストンとスプリングサポート (16) を指で挟んで押して、スプリングを圧縮し、チューブ (21) を残りの部品とともにピストンに装着します。スプリングを圧縮した状態のまま、アセンブリ全体をチップコーンの中に注意深く装着し、スプリングを緩めます。

2-20 μL および 5-50 μL : スプリング13、スプリングサポート16、チューブ17と18、0リング大19と0リング小20をピストンの元の位置に通します。ピストンとスプリングサポート16を指で押し合わせてスプリングを圧縮し、0リング大19、0リング小20、スプリングサポート21、スプリング22 (スプリングサポート21より小さな寸法) をピストンに通します。スプリングを圧縮した状態で、組み立てたアセンブリ全体をチップコーンに慎重に滑り込ませ、スプリングを離します。

10-100 μL および 20-200 μL : スプリング13、スプリングサポート16、0リング17をピストンの元の位置に通します。組み立てたアセンブリ全体をチップコーンに滑りこませます。

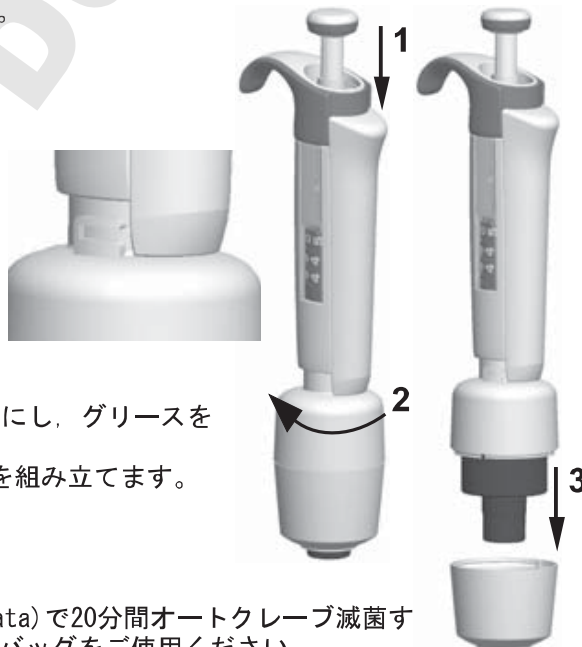
100-1000 μL : 0リング17とサポートリング16をチップコーンに取り付けます。ピストンにスプリング13を通し、組み立てたアセンブリをチップコーンに滑り込ませます。

9. すべてのモデル: スプリング15とサポート14をチップコーンの上部に置き、チップコーンアセンブリをハンドルに慎重に挿入します。チップコーンを最初に時計回りに回しながら手で締めつけ、それからサービスツールで最後に締めます。

10. チップイジェクタを組み立てます。

0.5-5 ml および 1-10 ml ピペット

1. チップイジェクタを押します。
2. チップイジェクタ10を反時計回りに回して開けます。
3. チップイジェクタ14 (留め具) の下部を分解します。
4. シリンダー13を反時計回りに回してチップコーンアセンブリを引き抜きます。
5. シリンダー13の留め具を押してシリンダーを取り外します。
6. 0リング12とシリンダー13をきれいにし、グリースを塗ります。
7. 分解した順序と逆の順序でパーツを組み立てます。



滅菌

チップコーンモジュールは121°C (2 ata)で20分間オートクレーブ滅菌することができます。必要に応じて滅菌バッグをご使用ください。

オートクレーブ滅菌後、部品を必ず2時間以上放置して室温に戻してください。ピペティングを行う前に、部品が乾いているかどうかを必ず確認してください。滅菌のためにキャリブレーションを行うことをお勧めします。

トラブルシューティング

症状	原因	対処方法
液漏れ	<p>チップが正しく装着されていない</p> <p>チップコーンとチップの間に異物がある</p> <p>ピストン、O-リング及びシリンダの間に異物がある</p> <p>グリース切れ</p> <p>O-リングの磨耗</p>	<p>チップをしっかり装着する</p> <p>チップコーンをきれいにし、新しいチップを装着する</p> <p>O-リングとシリンダをきれいにし、グリースを塗る</p> <p>O-リング、シリンダ、ピストンにグリースを塗る</p> <p>O-リングを交換する</p>
分注精度が悪い	<p>操作が正しく行われていない</p> <p>チップが正しく装着されていない</p> <p>キャリブレーションのずれ（誤操作などのため）</p> <p>チップコーンが緩まる</p>	<p>取扱説明書にしたがって注意深く操作する</p> <p>チップをしっかり装着する</p> <p>取扱説明書にしたがってキャリブレーションを行う</p> <p>サービスツールでチップコーンを締めます</p>
特定の液体の分注精度が悪い	不適切なキャリブレーション（粘性の高い液体はその液体でキャリブレーションを行う必要がある）	分注する液体を使用してキャリブレーションを行う

注意!

フィンピペットは、ユーザーの皆様自身で簡単にメンテナンスしていただけるように設計されています。
修理や検定のために販売元へ返送される場合には、返送前に必ず汚染除去/消毒を行ってください。

保証規定

万一、故障、不具合が生じた場合には、下記の規定に従って修理させていただきます。ご購入いただきました販売店または下記の輸入販売元にお申し付けください。

保証期間	ご購入の日から3年間 但し、Web登録した場合は5年間。 保証登録URL: www.thermoscientific.jp/finn/w
保証書	同封の「Finnpipette Warranty Certificate(英文)」が保証書となります。 紛失しないよう大切に保管してください。
無償修理の範囲	以下の条件を満たす場合は、無償で修理いたします。 1. ご購入の日から3年以内であること。 2. 保証書 (Finnpipette Warranty Certificate, 英文) の添付があること。 3. 本取扱説明書にしたがい、通常の用法でご使用の場合。 4. フィンピペットに、純正フィンチップを組合せてご使用の場合。 5. その他製造上、材質上の欠陥が原因と認められた場合。
有償修理の範囲	以下の場合の修理は、保証期間内であっても、有償とさせていただきます。 1. 誤った使用が原因の故障または損傷。 2. 不当な修理改造による故障または損傷。 3. 納品後の移動、輸送あるいは落下が原因の場合。 4. 火災、天災地変その他不可抗力の災害による場合。 5. 過度の使用が原因の摩耗、損傷。 6. O-リング等の消耗部品の摩耗。 7. キャリブレーションまたはクリーニングを依頼される場合。 8. 物理的損傷または化学薬品による損傷。 9. 保証書 (Finnpipette Warranty Certificate, 英文) の添付がない場合。
輸入販売元	サーモフィッシャーサイエンティフィック株式会社 ラボプロダクツ事業本部 〒221-0022 横浜市神奈川区守屋町3-9 C棟 問合せ先ピペットサービスセンター TEL 045-453-9227 FAX 045-453-9228

Conversion table

Value of the conversion factor Z ($\mu\text{l}/\text{mg}$), as a function of temperature and pressure, for distilled water.

Umrechnungstabelle

Wert des Umrechnungsfaktors Z ($\mu\text{l}/\text{mg}$) als eine Funktion von Temperatur und Druck für destilliertes Wasser.

Table de conversion

Valeur du facteur de conversion Z ($\mu\text{l}/\text{mg}$), comme fonction de la température et de la pression, pour de l'eau distillée.

Tabla de conversiones

Valor del factor de conversión Z ($\mu\text{l}/\text{mg}$), como función de temperatura y presión, para el agua destilada.

変換係数表

変換係数 Z ($\mu\text{l}/\text{mg}$)は温度と気圧の関数になります。蒸留水の場合の値を表に示します。

Temperature °C	Air pressure kPa						
	80	85	90	95	100	101,3	105
15,0	1,0017	1,0018	1,0019	1,0019	1,0020	1,0020	1,0020
15,5	1,0018	1,0019	1,0019	1,0020	1,0020	1,0020	1,0021
16,0	1,0019	1,0020	1,0020	1,0021	1,0021	1,0021	1,0022
16,5	1,0020	1,0020	1,0021	1,0021	1,0022	1,0022	1,0022
17,0	1,0021	1,0021	1,0022	1,0022	1,0023	1,0023	1,0023
17,5	1,0022	1,0022	1,0023	1,0023	1,0024	1,0024	1,0024
18,0	1,0022	1,0023	1,0023	1,0024	1,0025	1,0025	1,0025
18,5	1,0023	1,0024	1,0024	1,0025	1,0025	1,0026	1,0026
19,0	1,0024	1,0025	1,0025	1,0026	1,0026	1,0027	1,0027
19,5	1,0025	1,0026	1,0026	1,0027	1,0027	1,0028	1,0028
20,0	1,0026	1,0027	1,0027	1,0028	1,0028	1,0029	1,0029
20,5	1,0027	1,0028	1,0028	1,0029	1,0029	1,0030	1,0030
21,0	1,0028	1,0029	1,0029	1,0030	1,0031	1,0031	1,0031
21,5	1,0030	1,0030	1,0031	1,0031	1,0032	1,0032	1,0032
22,0	1,0031	1,0031	1,0032	1,0032	1,0033	1,0033	1,0033
22,5	1,0032	1,0032	1,0033	1,0033	1,0034	1,0034	1,0034
23,0	1,0033	1,0033	1,0034	1,0034	1,0035	1,0035	1,0036
23,5	1,0034	1,0035	1,0035	1,0036	1,0036	1,0036	1,0037
24,0	1,0035	1,0036	1,0036	1,0037	1,0037	1,0038	1,0038
24,5	1,0037	1,0037	1,0038	1,0038	1,0039	1,0039	1,0039
25,0	1,0038	1,0038	1,0039	1,0039	1,0040	1,0040	1,0040
25,5	1,0039	1,0040	1,0040	1,0041	1,0041	1,0041	1,0042
26,0	1,0040	1,0041	1,0041	1,0042	1,0042	1,0043	1,0043
26,5	1,0042	1,0042	1,0043	1,0043	1,0044	1,0044	1,0044
27,0	1,0043	1,0044	1,0044	1,0045	1,0045	1,0045	1,0046
27,5	1,0045	1,0045	1,0046	1,0046	1,0047	1,0047	1,0047
28,0	1,0046	1,0046	1,0047	1,0047	1,0048	1,0048	1,0048
28,5	1,0047	1,0048	1,0048	1,0049	1,0049	1,0050	1,0050
29,0	1,0049	1,0049	1,0050	1,0050	1,0051	1,0051	1,0051
29,5	1,0050	1,0051	1,0051	1,0052	1,0052	1,0052	1,0053
30,0	1,0052	1,0052	1,0053	1,0053	1,0054	1,0054	1,0054

Spare parts / Ersatzteile
Pieces detachees / Piezas de recambio
 パーツ及び付属品

1062800 1µl-10ml



1

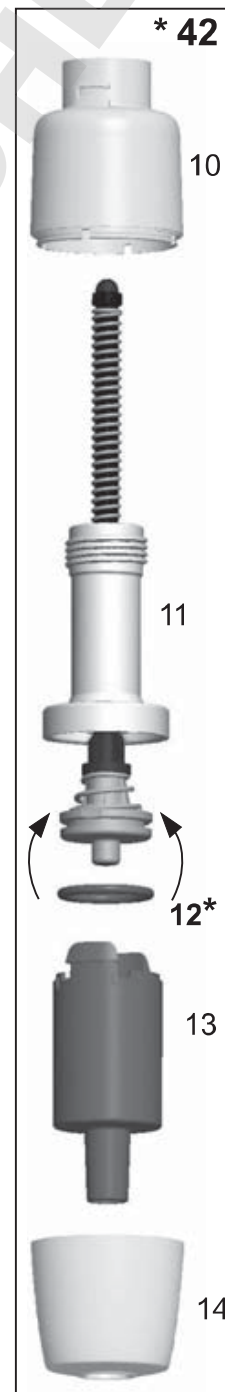
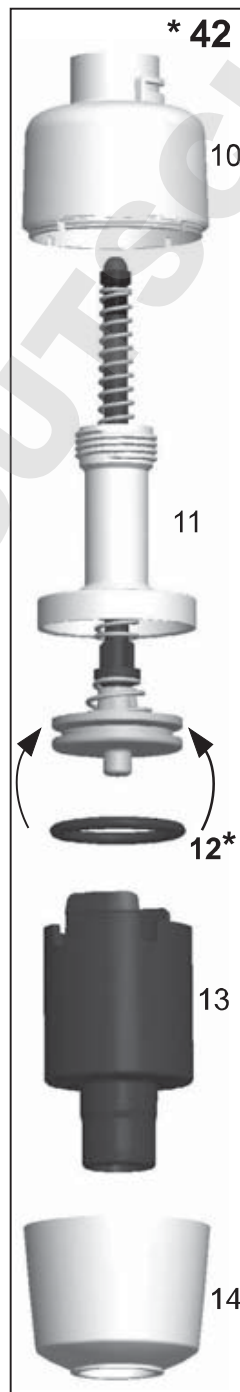


2*

3*

1-10 ml

0.5-5 ml



* 42

* 42

10

10

11

11

12*

12*

13

13

14

14

- * 2. Cap
- * 3. Handle
- * 12. O-ring
- * 42. Tip Cone assy

1-10 ml
0.5-5 ml

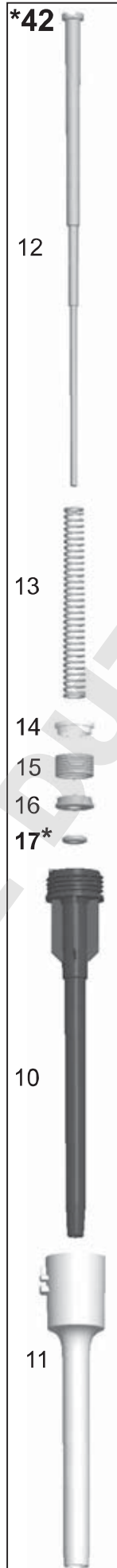
- 2. 2210670 Fixed 1-1000µl
- 2. 2214770 5 ml
- 2. 2210480 10 ml
- 3. 2214780 5 ml
- 3. 2210150 10 ml
- 12. 1030230 5 ml
- 12. 1033050 10 ml
- 42. 2214800 5 ml
- 42. 2210290 10 ml

100-1000µl
250/500/1000µl

Fixed



20-200µl
200µl Fixed



- * 2. Cap
- * 3. Handle
- * 17. O-ring
- * 42. Tip Cone assy

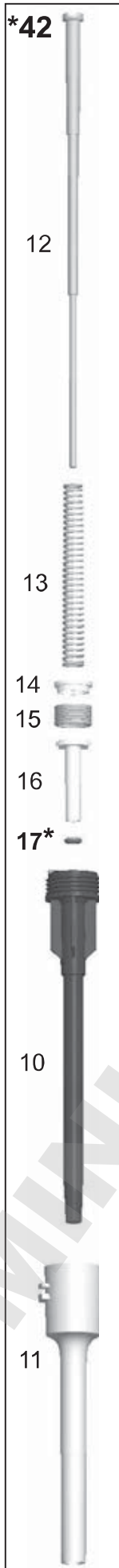
100-1000 µl
250 / 500 / 1000 µl Fixed

- 2. 2210470 **100-1000µl**
- 3. 2210140 **100-1000µl**
- 3. 2210210 **Fix 250µl**
- 3. 2210220 **Fix 500µl**
- 3. 2210230 **Fix 1000µl**
- 17. 1030020
- 42. 2210280

20-200µl
200 µl Fixed

- 2. 2210460 **20-200µl**
- 3. 2210130 **20-200µl**
- 3. 2213540 **Fix 200µl**
- 17. 1030160
- 42. 2210270

10-100µl
25/50/100µl
Fixed



2-20µl / 2-20µl Micro
5-50µl / 5-50µl Micro
20µl Fixed



- * **2. Cap**
- * **3. Handle**
- * **17. O-ring**
- * **42. Tip Cone assy**

10-100 µl
25 µl Fixed
50 µl Fixed
100 µl Fixed

- 2. 2210460 **10-100µl**
- 3. 2210120 **10-100µl**
- 3. 2210180 **Fix 25µl**
- 3. 2210190 **Fix 50µl**
- 3. 2210200 **Fix 100µl**
- 17. 1030510
- 42. 2210260

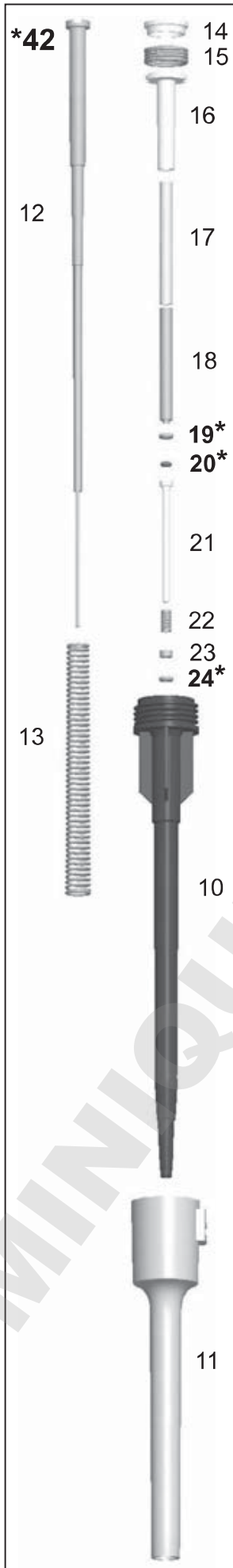
2-20 µl
2-20 µl Micro
20 µl Fixed

- 2. 2210460 **2-20µl**
- 2. 2210500 **2-20µl Micro**
- 3. 2210110 **2-20µl**
- 3. 2210440 **2-20µl Micro**
- 3. 2213530 **Fix 20µl**
- 19. 1030380
- 20. 1033110
- 42. 2210250 **2-20µl/Fix 20µl**
- 42. 2210390 **2-20µl Micro**

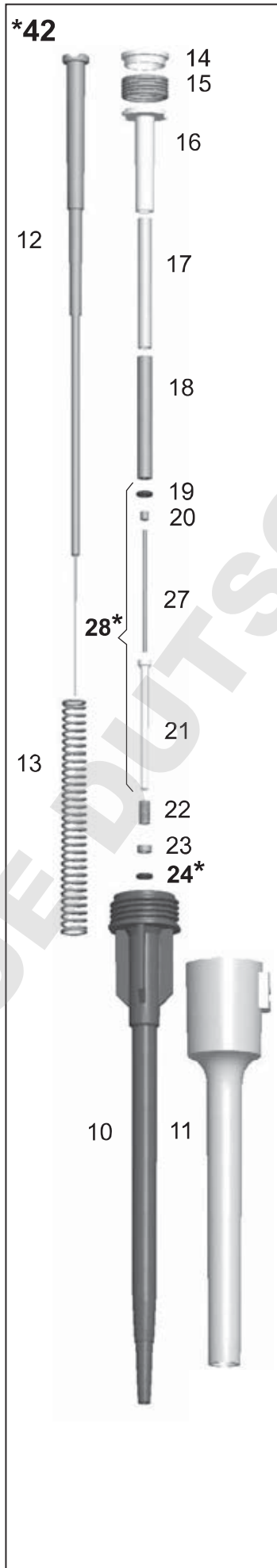
5-50 µl
5-50 µl Micro

- 2. 2210460 **5-50µl**
- 2. 2210500 **5-50µl Micro**
- 3. 2212960 **5-50µl**
- 3. 2212940 **5-50µl Micro**
- 19. 1030500
- 20. 1033060
- 42. 2212970 **5-50µl**
- 42. 2212950 **5-50µl Micro**

1-10µl / 1-10µl Micro
10µl Fixed



0.2-2µl



- * 2. Cap
- * 3. Handle
- * 19. O-ring
- * 20. O-ring
- * 24. O-ring
- * 42. Tip Cone assy

1-10 µl / 10 µl Fixed

1-10 µl Micro

1µl Fixed

5 µl Fixed

- 2. 2210460 1-10µl
- 2. 2210490 1-10µl Micro
- 3. 2210100 1-10µl
- 3. 2210430 1-10µl Micro
- 3. 2210450 Fix 1µl
- 3. 2210160 Fix 5µl
- 3. 2210170 Fix 10µl
- 19. 1030380
- 20. 1030060
- 24. 1030170
- 42. 2210240 1-10µl/Fix 10µl
- 42. 2210380 1-10µl Micro/
Fix 1 / 5 µl

0.2-2 µl

- 2. 2210490 0.2-2µl
- 3. 2215560 0.2-2µl
- 24. 1030170
- 28. 2205730
- 42. 2215550 0.2-2µl

	Finntip (sterile and non-sterile)														Finntip Filter (sterile)																															
	10 Micro	10 Flex Micro	20 Micro	50 Micro	250 Univ	200 Ext	200 Flex	300	300 Flex	1000 Ext	1000	1000 Flex	1200 Flex	5 ml	10ml	10ml Flex Ext	10 Micro	10 Flex Micro	10 Univ	20 Univ	20 Micro	30 Univ	30 Flex	50 Micro	100 Ext	100 Univ	100 Flex	200 Ext	200 Univ	200 Flex	300	300 Flex	1000 Ext	1000	1000 Flex	1200 Flex	5 ml	10ml	10ml Flex Ext							
FP F3 0.2 - 2 µl micro	•	•	•	•																																										
FP F3 1 - 10 µl micro	•	•	•	•													•	•																												
FP F3 1 - 10 µl					•	•	•	•	•										•	•			•	•																						
FP F3 2 - 20 µl micro			•	•																	•																									
FP F3 2 - 20 µl					•	•	•	•	•											•			•	•																						
FP F3 5 - 50 µl micro				•																				•																						
FP F3 5 - 50 µl					•	•	•	•	•																	•	•	•	•	•	•	•	•	•	•	•	•	•	•	•	•	•	•			
FP F3 10 - 100 µl					•	•	•	•	•																	•	•	•	•	•	•	•	•	•	•	•	•	•	•	•	•	•	•			
FP F3 20 - 200 µl					•	•	•	•	•																		•	•	•	•	•	•	•	•	•	•	•	•	•	•	•	•	•	•		
FP F3 100 - 1000 µl										•	•	•	•	•																								•	•	•	•	•	•			
FP F3 0.5 - 5 ml														•																										•		•	•			
FP F3 1 - 10 ml															•	•																									•	•	•			
FP F3 Fixed Volume 1µl	•	•	•	•													•	•			•		•																							
FP F3 Fixed Volume 5µl	•	•	•	•													•	•			•		•																							
FP F3 Fixed Volume 10µl					•	•	•	•	•										•	•			•	•			•	•																		
FP F3 Fixed Volume 20µl					•	•	•	•	•											•	•			•	•			•	•																	
FP F3 Fixed Volume 25µl					•	•	•	•	•															•	•			•	•	•	•	•	•	•	•	•	•	•	•	•	•	•	•	•	•	
FP F3 Fixed Volume 50µl					•	•	•	•	•																		•	•	•	•	•	•	•	•	•	•	•	•	•	•	•	•	•	•	•	
FP F3 Fixed Volume 100µl					•	•	•	•	•																		•	•	•	•	•	•	•	•	•	•	•	•	•	•	•	•	•	•	•	
FP F3 Fixed Volume 200µl					•	•	•	•	•																		•	•	•	•	•	•	•	•	•	•	•	•	•	•	•	•	•	•	•	
FP F3 Fixed Volume 250µl										•	•	•	•	•																											•	•	•	•		
FP F3 Fixed Volume 500µl										•	•	•	•	•																												•	•	•	•	
FP F3 Fixed Volume 1000µl										•	•	•	•	•																													•	•	•	•

Finntip compatibility chart 1508760-04

Tip Ordering Information
Bestellinformation: Pipettenspitzen
Renseignements pour commander des cônes
Información para pedidos del portapuntas
チップの注文について

Code	Finntip	Volume	Qty
* 9400300	10 Micro	0,2-10 µl	10x96/rack
9400303	10 Micro sterile	0,2-10 µl	10x96/rack
* 94060100	Flex 10	0,2-10 µl	10x96/rack
94060103	Flex 10 sterile	0,2-10 µl	10x96/rack
* 9400610	20 Micro	0,2-20 µl	10x384/rack
9400613	20 Micro sterile	0,2-20 µl	10x384/rack
* 9400370	50 Micro	0,2-50 µl	10x384/rack
9400373	50 Micro sterile	0,2-50 µl	10x384/rack
* 9400130	200 Ext	5-200 µl	10x96/rack
9400133	200 Ext sterile	5-200 µl	10x96/rack
* 94060310	Flex 200	1-200 µl	10x96/rack
94060313	Flex 200 sterile	1-200 µl	10x96/rack
* 9400260	250 Univ.	0,5-250 µl	10x96/rack
9400263	250 Univ. sterile	0,5-250 µl	10x96/rack
* 9401250	300	5-300 µl	10x96/rack
9401253	300 sterile	5-300 µl	10x96/rack
* 94060510	Flex 300	5-300 µl	10x96/rack
94060513	Flex 300 sterile	5-300 µl	10x96/rack
* 9401110	1000	100-1000 µl	10x96/rack
9401113	1000 sterile	100-1000 µl	10x96/rack
* 94060710	Flex 1000	100-1000 µl	10x96/rack
94060713	Flex 1000 sterile	100-1000 µl	10x96/rack
* 9402070	5 ml	1-5 ml	5x54/rack
9402073	5 ml sterile	1-5 ml	5x54/rack
* 9402160	10 ml	1-10 ml	5x24/rack
9402163	10 ml sterile	1-10 ml	5x24/rack
94060970	Flex 10ml Ext	1-10 ml	100 pcs/bag
94060973	Flex 10ml Ext sterile	1-10 ml	50 pcs/bag

*** Also available in bags**

Code	Finntip Filter	Volume	Qty
94052000	10 Micro sterile	0,2-10 µl	10x96/rack
94056980	Flex 10 sterile	0,2-10 µl	10x96/rack
94052100	10 sterile	0,5-10 µl	10x96/rack
94052150	20 sterile	0,5-20 µl	10x96/rack
94052020	20 Micro sterile	0,2-20 µl	10x384/rack
94052160	30 sterile	0,5-30 µl	10x96/rack
94056510	Flex 30 sterile	5-30 µl	10x96/rack
94052060	50 Micro sterile	0,2-50 µl	10x384/rack
94052200	100 µl sterile	0,5-100 µl	10x96/rack
94052310	100 µl Ext sterile	5-100 µl	10x96/rack
94056520	Flex 100 sterile	5-100 µl	10x96/rack
94052300	200 µl sterile	0,5-200 µl	10x96/rack
94052320	200 µl Ext sterile	5-200 µl	10x96/rack
94056380	Flex 200 sterile	1-200 µl	10x96/rack
94052350	300 µl sterile	5-300 µl	10x96/rack
94056580	Flex 300 sterile	5-300 µl	10x96/rack
94052410	1000 µl sterile	100-1000 µl	10x96/rack
94052430	1000 µl Ext sterile	100-1000 µl	5x96/rack
94056710	Flex 1000 sterile	100-1000 µl	10x96/rack
94052550	5 ml sterile	1-5 ml	5x54/rack
94052600	10 ml sterile	1-10 ml	5x24/rack
94056970	Flex 10 ml Ext sterile	1-10 ml	50/bag

DOMINIQUE DUTSCHER SAS

DOMINIQUE DUTSCHER SAS

thermofisher.com

© 2017 Thermo Fisher Scientific Inc. All rights reserved. All trademarks are the property of Thermo Fisher Scientific Inc. and its subsidiaries. Specifications, terms and pricing are subject to change. Not all products are available in all countries. Please consult your local sales representative for details.

Thermo Fisher Scientific Oy

Ratastie 2,
01620 Vantaa
Finland

1508030-18

thermo
scientific