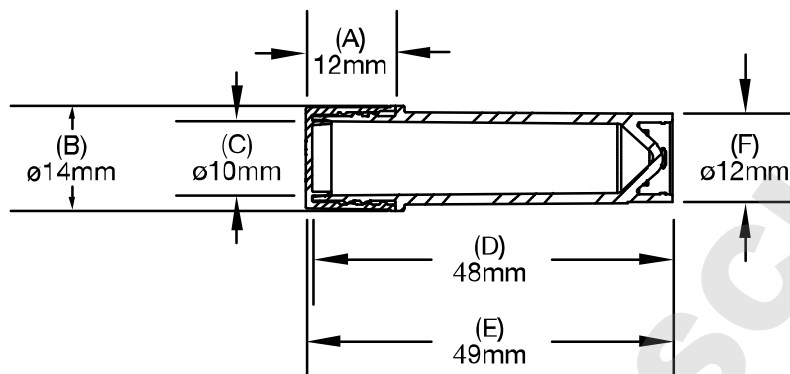


WHEATON®

Product Data Sheet

CryoELITE® Cryogenic Vials

2mL Freestanding, External Thread - Catalog No. W985852



2mL FS Ext	
A	Cap Height
B	Overall OD
C	Vial ID
D	Vial Height
E	Overall Height
F	Body OD

1.0 Specifications

1.1	Description:	CryoELITE® Cryogenic Vials provide assurance and maintain the integrity of your precious samples under cryogenic temperatures
1.2	Dimensions:	12 x 49mm (Cap on dimension)
1.3	Working Volume:	2ml
1.4	Cap Color:	Natural
1.5	Writing Patch:	Yes
1.6	Sterile:	No

2.0 Technical Information

2.1	Material:	Made from low binding, cryogenic grade, virgin polypropylene (PP)
2.2	Temperature Range:	-196°C to +121°C
2.3	DNase & RNase Free:	Lot Certified, Ethidium Bromide, (EtBr) Agarose Gel Electrophoresis Analysis
2.4	Non-Pyrogenic, Endotoxin Free:	Lot Certified, < 0.500 EU/mL (Kinetic Turbidimetric LAL Method, FDA guideline)
2.5	Seal PSI:	Exceeds 15psi / 1 atmosphere / 95kPa pressure tested
2.6	IATA (International Air Transport Association):	Can be used as a primary receptacle for the Transport of Diagnostic Specimens as outlined by the IATA Dangerous Goods Regulations, Part 6.3.5
2.7	DOT (U.S. Department of Transportation):	Exceeds U.S. DOT 49 CFR Parts 171-180 requirements for Diagnostic Specimens as outlined by Transportation Requirements
2.8	Liquid Nitrogen:	Liquid Phase tested / Vapor Phase accepted
2.9	Autoclavable:	Recommended at -121°C, 15psi (1 bar) for 20 minutes
2.10	Cap Pigmentation:	Cap colors were chosen to ensure no reactivity with common biological samples
2.11	Mold Release Agent:	None used in the manufacturing process

3.0 Packaging

3.1	Pieces / Bag:	1'000
3.2	Pieces / Case:	1'000
3.3	Other Information:	QA-Certificate of Analysis included in product packaging

4.0 Quality

4.1	All dimensions are in millimeters
4.2	This is not a production drawing
4.3	This technical data sheet is for informational purposes only
4.4	This document is subject to change without notice

Disclaimer: The data and information contained herein are limited to illustrate examples that are based on limited testing procedures. However, due to variable conditions of use and methods or processing, NO WARRANTIES OR WARRANTIES ARE EXPRESSED OR IMPLIED INCLUDING ANY IMPLIED WARRANTY OF MERCHANTABILITY OR FITNESS FOR PARTICULAR PURPOSE. WHEATON does not recommend any use that infringes patents. This data and information, and the products and processes described, are subjected to change at any time without notice. Please contact your WHEATON representative with your specific packaging needs.

CryoELITE® is a registered trademark of WHEATON Industries Inc. Copyright © 2012.

