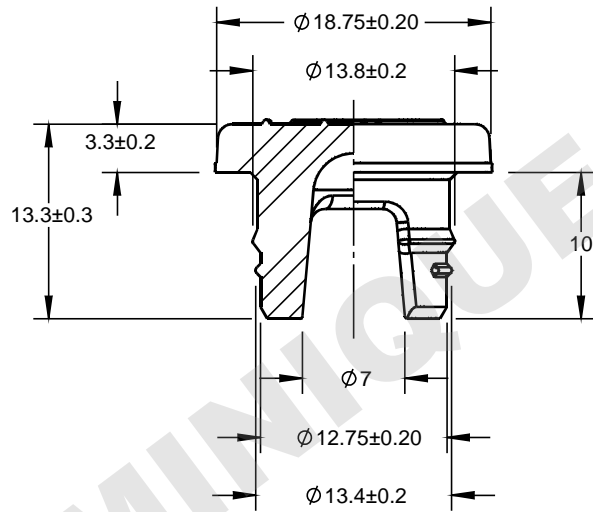
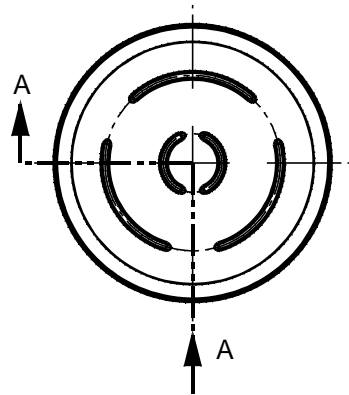


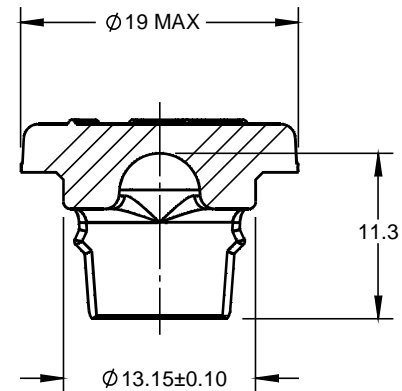
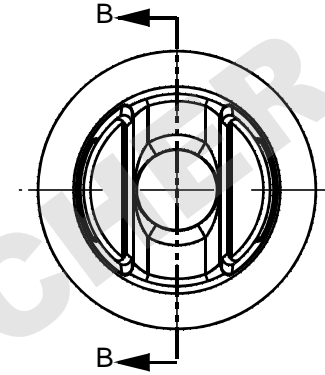


ISOMETRIC VIEW

REV	DESCRIPTION OF CHANGE	DRAWN BY	DATE	ECN
A	INITIAL ISSUE	BL	08/09/07	20070718151649
-	REDRAW TO SOLIDWORKS	EL	10/02/17	N/A



SECTION A-A
SCALE 3 : 1



SECTION B-B
SCALE 3 : 1

1	1,000	DARK GREY BROMOBUTYL RUBBER			
ITEM	QTY.	MATERIAL: DESCRIPTION AND SPECIFICATIONS			
		20 mm Stopper, 2 Leg, Ultra Pure			
ITEM NUMBER:	W224100-406	DRAWING NUMBER:	CSD-W224100-406	DRAWN BY:	EL
ITEM NUMBER:	W224100-406	OLD MATERIAL NUMBER:	N/A	SHEET SIZE:	B
				SHEET NUMBER:	1 OF 1
				SHEET SCALE:	3:1
<small>THIS CONFIDENTIAL AND PROPRIETARY DRAWING AND THE INFORMATION IN IT ARE THE EXCLUSIVE PROPERTY OF DINK LIFE SCIENCES. IT IS PROVIDED WITH THE UNDERSTANDING AND INTENTION THAT NOTHING CONTAINED HEREIN WILL BE REPRODUCED OR DISCLOSED TO THIRD PARTIES WITHOUT THE PRIOR EXPRESS WRITTEN CONSENT OF DINK LIFE SCIENCES. ELECTRONIC OR PAPER COPIES OF THIS PRINT OUTSIDE OF DINK LIFE SCIENCES ARE UNCONTROLLED AND ARE FOR REFERENCE ONLY UNLESS OTHERWISE STAMPED.</small>		<small>TOLERANCES DIMENSIONS IN MILLIMETERS X ± 0.25mm X.X ± 0.15mm X.XX ± 0.15mm</small>			