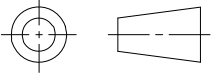


K:\GCA\W224100-193

THIS DRAWING CONTAINS CONFIDENTIAL INFORMATION AND IS A COPYRIGHT OF WHEATON INDUSTRIES INC. IT MAY NOT BE DUPLICATED FOR ANY PURPOSE IN WHOLE OR IN PART WITHOUT THE EXPRESS WRITTEN CONSENT OF WHEATON INDUSTRIES INC. ALL RIGHTS RESERVED. ELECTRONIC OR PAPER COPIES OF THIS PRINT OUTSIDE OF WHEATON'S SYSTEM ARE UNCONTROLLED AND ARE FOR REFERENCE ONLY UNLESS OTHERWISE STAMPED.

THIRD ANGLE PROJECTION

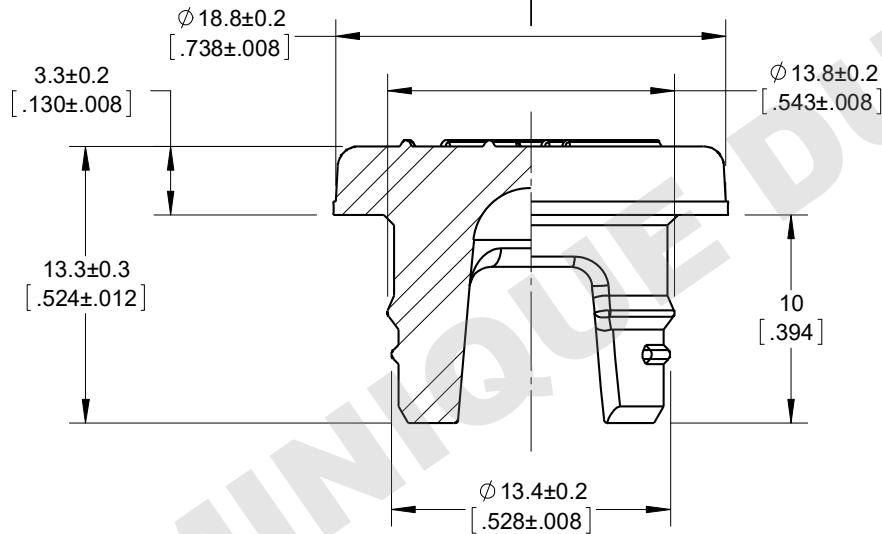
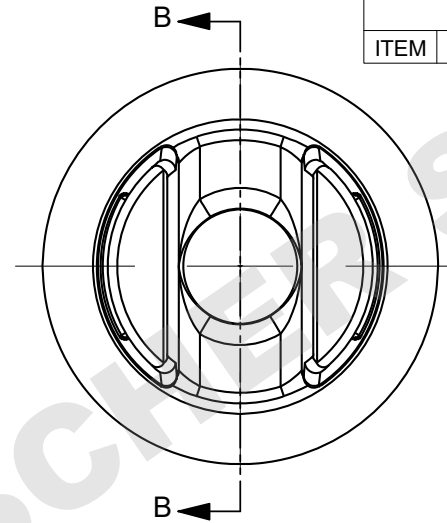
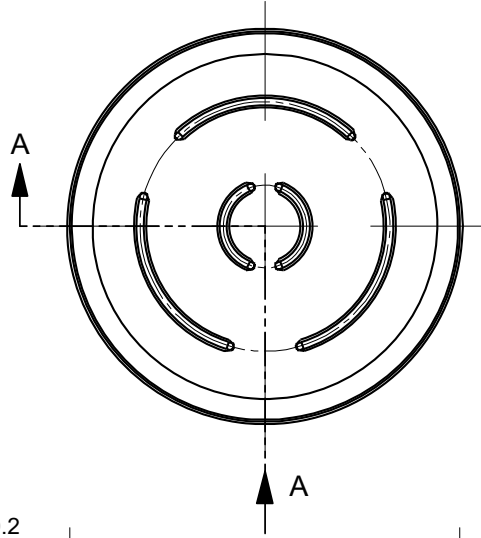


ISOMETRIC VIEW
ACTUAL SIZE

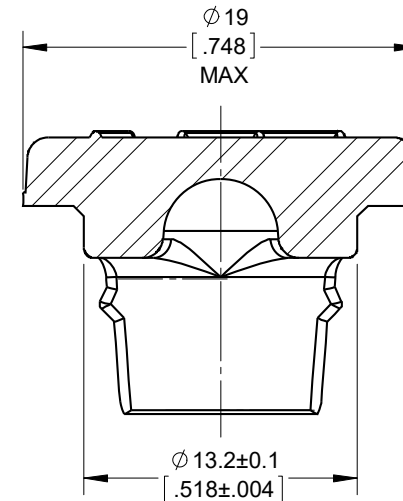
SILICONIZED

PRODUCT COMPONENTS

ITEM	QTY	DESCRIPTION
------	-----	-------------



SECTION A-A
SCALE 4 : 1



SECTION B-B
SCALE 4 : 1

MATERIAL: FM140/0 GRAY CHLOROBUTYL RUBBER

2. INCH DIMENSIONS AND DIMENSIONS NOT TOLERANCED ARE FOR REFERENCE ONLY.

1. DIMENSIONS ARE IN MILLIMETERS AND [INCHES].

---NOTES---

TITLE	20mm STPR, 2-LEG LYO, BUTYL GRY, SILCNZD	
CAPACITY		
FINISH	SIZE	
SCALE: FULL UNLESS NOTED. DO NOT SCALE THIS DRAWING.		

DATE DRAWN	08/02/07	PRO.#	-
DRAWN BY	B. LLOYD	APPROX WGT	A
CHECKED BY	TRJ 08/03/07	AUTHORIZED	CJM 08/03/07

REV	-	REDRAWN IN SOLIDWORKS UPDATED TO W.I. STANDARDS	07/20/15 KW
REV	A	20061016105452	08/02/07 BL
REV		ECN #	DATE

WHEATON[®]
1501 North 10th Street, Millville, NJ 08332-2038

SIZE
B DWG.NO: W224100-193