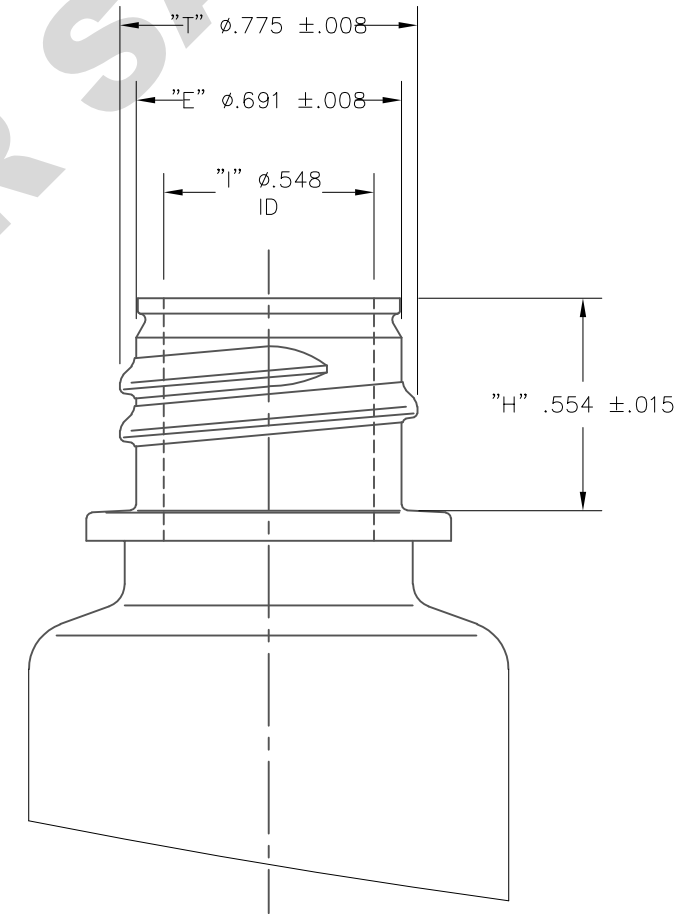
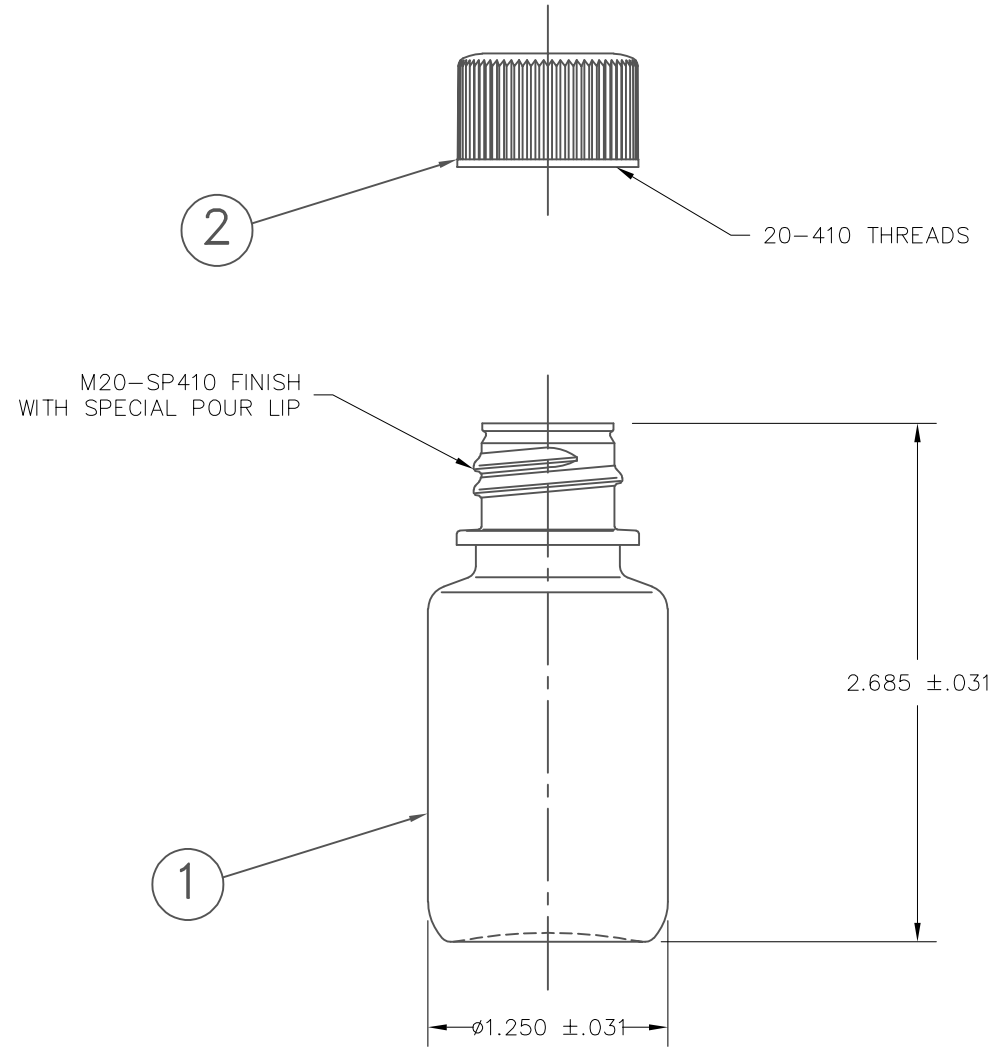


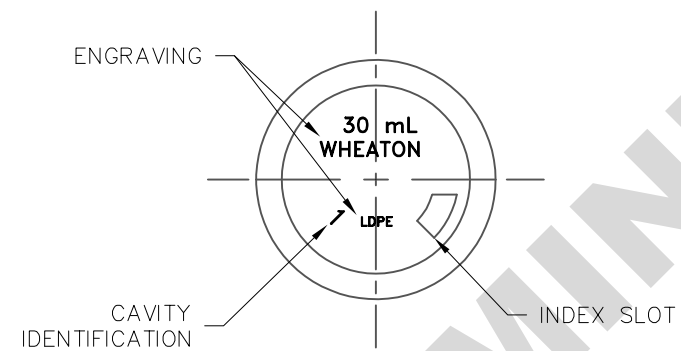
NOTES:

1. BOTTLE CAPACITY: 35.5 ±1.0cc OVERFLOW.
2. WEIGHT: BOTTLE: 6.5 ±0.5g | CAP: 2.51g.(APPROX.)

REV	DESCRIPTION OF CHANGE	DRAWN BY	DATE	ECN
B	REVISE CAP INFORMATION	BL	12/10/08	20080522085119
-	REDRAWN ON DWK TEMPLATE AND STANDARDS	EL	07/27/20	N/A



FINISH DETAIL  
SCALE 2:1



2	72	NATURAL POLYPROPYLENE
1	72	NATURAL LOW DENSITY POLYETHYLENE
ITEM	QTY.	MATERIAL: DESCRIPTION AND SPECIFICATIONS

TITLE: 30 ML STAR BTL, NM LDPE NAT, 20-410 CAP

THIS CONFIDENTIAL AND PROPRIETARY DRAWING AND THE INFORMATION IN IT ARE THE EXCLUSIVE PROPERTY OF DWK LIFE SCIENCES. IT IS PROVIDED WITH THE UNDERSTANDING AND INTENTION THAT NOTHING CONTAINED HEREIN WILL BE REPRODUCED OR DISCLOSED TO THIRD PARTIES WITHOUT THE PRIOR EXPRESS WRITTEN CONSENT OF DWK LIFE SCIENCES.  
ELECTRONIC OR PAPER COPIES OF THIS PRINT OUTSIDE OF DWK LIFE SCIENCES ARE UNCONTROLLED AND ARE FOR REFERENCE ONLY UNLESS OTHERWISE STAMPED.

**TOLERANCES**  
DIMENSIONS IN INCHES UNLESS SPECIFIED  
.XX ± .01"  
.XXX ± .005"  
.XXXX ± .0005"  
FRACTIONAL ± 1/64"



ITEM NUMBER:	208925	DRAWING NUMBER:	CSD-208925	DRAWN BY:	BL	DRAWN DATE:	07/12/05
SAP NUMBER:	208925	OLD MATERIAL NUMBER:	N/A	SHEET SIZE:	B	SHEET NUMBER:	1 OF 1
						SHEET SCALE:	1:1