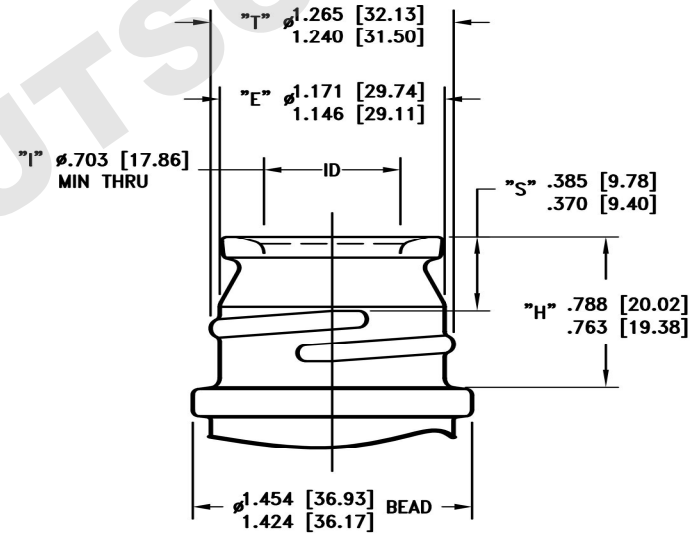
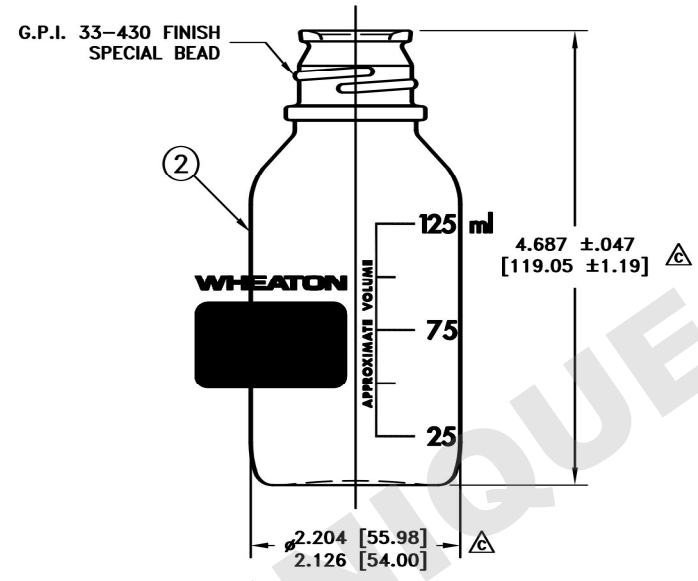
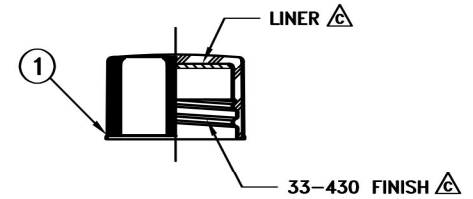




PRODUCT COMPONENTS		
ITEM	QTY	DESCRIPTION
1.	1	33-430 CAP
2.	1	125mL BOTTLE

UNCONTROLLED COPY



△ FINISH DETAIL
SCALE: 2 X 1

CAP MATERIAL: BLACK PHENOLIC WITH WHITE RUBBER LINER
BOTTLE MATERIAL: TYPE I CLEAR BOROSILICATE GLASS

- 3. APPROX WEIGHT EXCLUDING CAP.
- 2. GRADUATIONS & MARKING SPOT COLOR: MATTE WHITE INK.
- 1. DIMENSIONS ARE IN INCHES AND [MILLIMETERS].

NOTES

DATE	09-03-02	FORM #	
DESIGNED BY	DAVE BANKS	APPROX. WGT.	5.50oz 155.9g
CAPACITY	125mL (152.2-157.8cc OVERFLOW)	CHECKED BY	BL 11/14/02
FORM	G.P.I. 33-430 (SPECIAL BEAD)	DATE	10/31/02

WHEATON Industries Inc.	130 North 100 Street, Waukegan, IL 60087-2020
-------------------------	-----------------------------------------------

C	2012111916261332	11/28/12	TP
B	20070117114016	02/02/07	TRJ
A	13407	09-03-02	DB
REV	E.C.N. #		DATE

DWG. NO: C-219755