

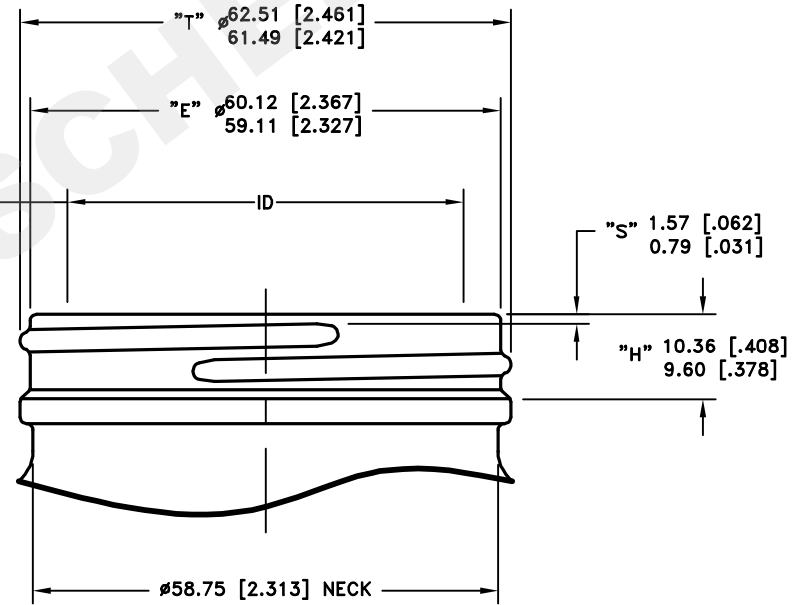
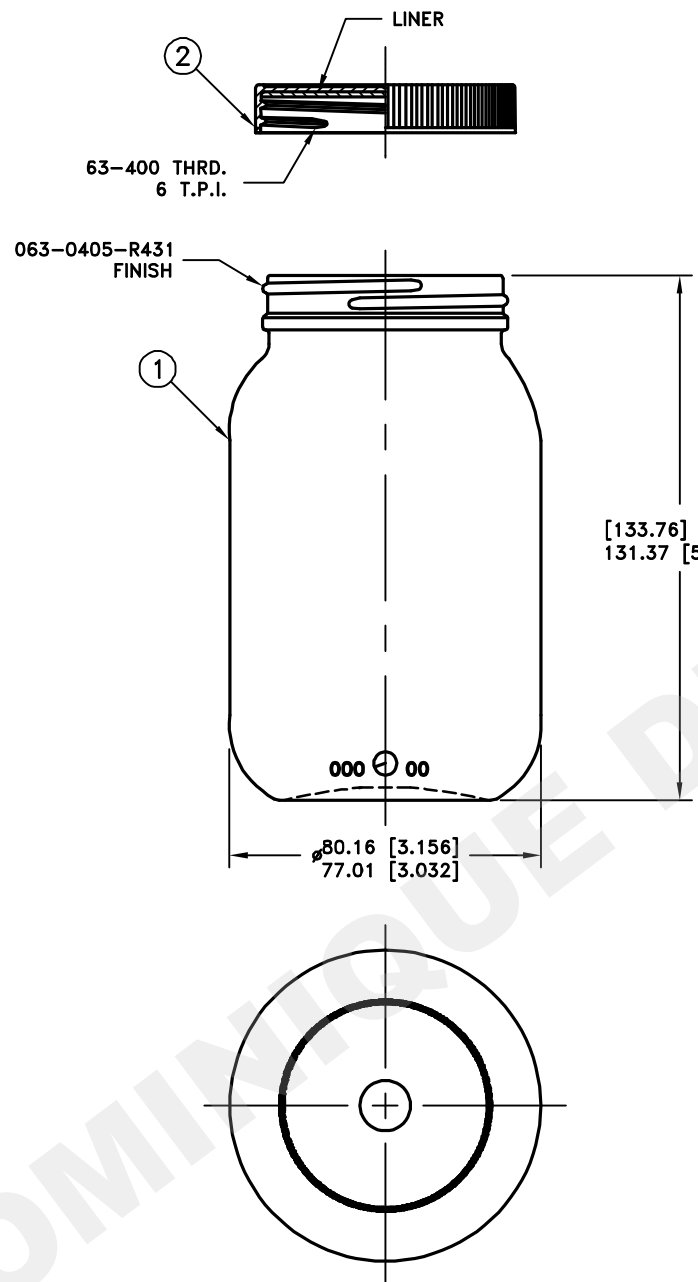
THIS DRAWING CONTAINS CONFIDENTIAL INFORMATION AND IS A PROPERTY OF WHEATON BOTTLES, INC. IT MAY NOT BE DUPLICATED FOR ANY PURPOSE IN WHOLE OR IN PART WITHOUT THE EXPRESS WRITTEN CONSENT OF WHEATON BOTTLES, INC. ALL RIGHTS RESERVED. ELECTRONIC OR PAPER COPIES OF THIS PRINT OUTSIDE OF WHEATON'S SYSTEM ARE UNCONTROLLED AND ARE FOR REFERENCE ONLY UNLESS OTHERWISE STAMPED.

THIRD ANGLE PROJECTION

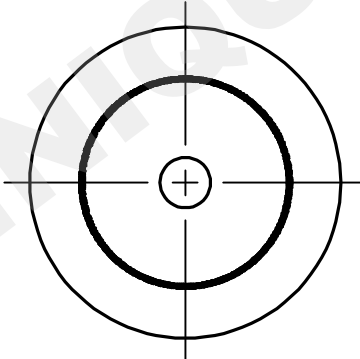


PRODUCT COMPONENTS

ITEM	QTY	DESCRIPTION
1.	24	16oz BOTTLE
2.	24	63-400 CAP
3.	24	50077397 LABEL (NOT SHOWN)



△ FINISH DETAIL
SCALE 2 X 1



BOTTLE MATERIAL: TYPE III CLEAR SODA-LIME GLASS
 CAP MATERIAL: WHITE POLYPROPYLENE
 △ LINER MATERIAL: 1.02 [.040] WHITE POLYETHYLENE FOAM WITH 0.13 [.005] PTFE-FACED

- 3. DIMENSIONS NOT TOLERANCED ARE FOR REFERENCE ONLY.
- 2. DIMENSIONS ARE IN MILLIMETERS AND [INCHES].
- 1. APPROXIMATE WEIGHT EXCLUDES CAP.

-----NOTES-----

TITLE 16oz BTL, WM, TYPE III CLR, PP/PTFE LNR		DATE DRAWN 05/05/04	PROJ FOOD	C 2014012714492591	02/27/14 TP
CAPACITY 16.470 ±.250 oz [487 ±7.35ml] OVERFLOW		DRAWN BY B. LLOYD	APPROX. WT. 7.250 ± .213 oz	B 2011101211223320	11/02/11 TP
FORM 063-0405-R431		CHECKED BY TRJ 5/12/04	APPROVED CJM 5/12/04	A 20040407081917	05/05/04 DL
SCALE: UNLESS NOTED FULL DO NOT SCALE THIS DRAWING		WHEATON® 121 N.W. 100 St. Miral, FL 32256-5521 USA		REV	E.C.N. # DATE

DWG. NO: C- W216931