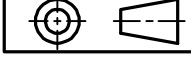
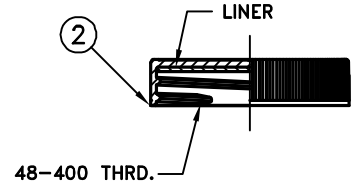


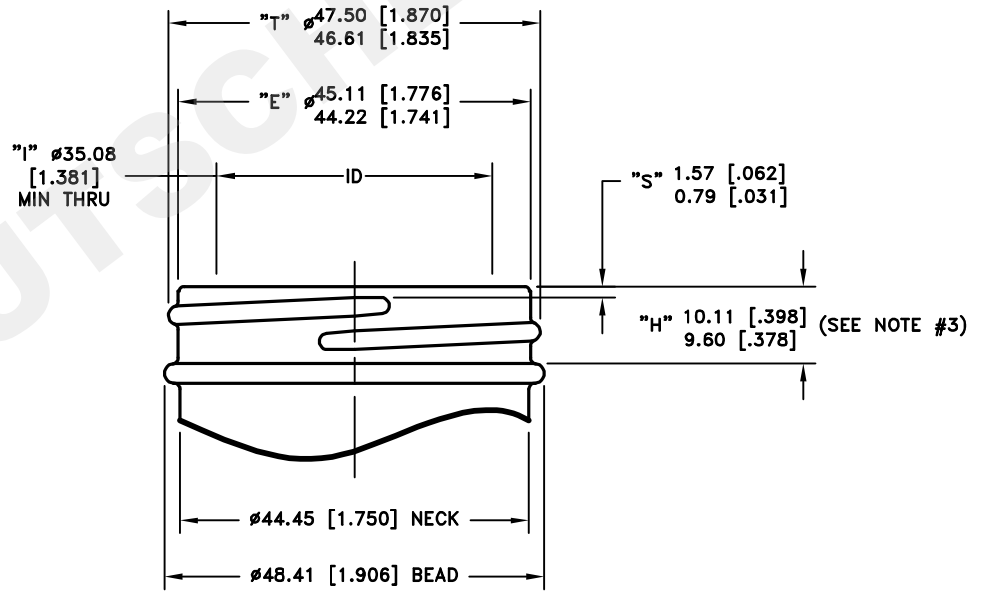
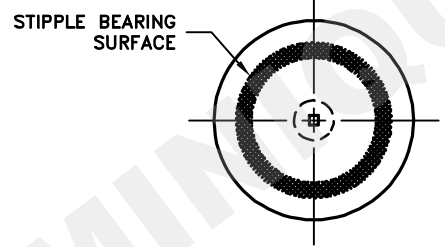
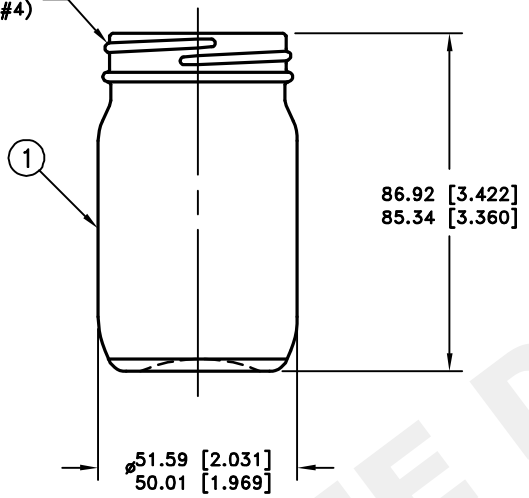
THIS DRAWING CONTAINS CONFIDENTIAL INFORMATION AND IS A COPYRIGHT OF WHEATON INDUSTRIES INC. IT MAY NOT BE REPRODUCED FOR ANY PURPOSE IN WHOLE OR IN PART WITHOUT THE EXPRESS WRITTEN CONSENT OF WHEATON INDUSTRIES INC. ALL RIGHTS ARE RESERVED. ELECTRONIC OR PAPER COPIES OF THIS PRINT OUTSIDE OF WHEATON'S SYSTEM ARE UNCONTROLLED AND ARE FOR REFERENCE ONLY UNLESS OTHERWISE STAMPED.



ITEM	QTY	DESCRIPTION
1.	24	4oz BOTTLE
2.	24	48-400 CAP W/ LINER
3.	24	50077397 LABEL (NOT SHOWN)



G.P.I. 48-400-405 FINISH (SEE NOTE #4)



FINISH DETAIL SCALE 2 X 1

BOTTLE MATERIAL: TYPE III CLEAR SODA-LIME GLASS
 CAP MATERIAL: WHITE POLYPROPYLENE
 LINER MATERIAL: 1.02 [.040] WHITE POLYETHYLENE FOAM WITH 0.13 [.005] PTFE-FACED

6. BOTTOM VIEW MAY VARY DUE TO DIFFERENT MANUFACTURING LOTS.	
5. DIMENSIONS NOT TOLERANCED ARE FOR REFERENCE ONLY.	
4. DEPRESSED THREAD AT SEAMS.	
3. SIGHT "H" DOWN "E".	
2. APPROXIMATE WEIGHT EXCLUDES CAP.	
1. DIMENSIONS ARE IN MILLIMETERS AND [INCHES].	
----NOTES----	

TITLE	4oz BTL, WM, TYPE III CLR, PP/PTFE LNR	DATE DRAWN	05/05/04	PROJ #		C	2014012714492591	02/27/14 TP
DRAWN BY	B. LLOYD	APPROV. WGT.	3.0 oz			B	2011101211223320	11/02/11 TP
CAPACITY	4 oz, 125.69cc ±2.77cc OF	CHECKED BY	TRJ 5/12/04	AUTHORIZED	CJM 5/12/04	A	20040407081917	05/05/04 BL
FINISH	G.P.I.-48-400-405	REV					E.C.N. #	DATE
WHEATON® 1201 North 19th Street Waukegan, IL 60087-2800 USA						DWG. NO: C- W216929		
SCALE: UNLESS NOTED FULL DO NOT SCALE THIS DRAWING								