

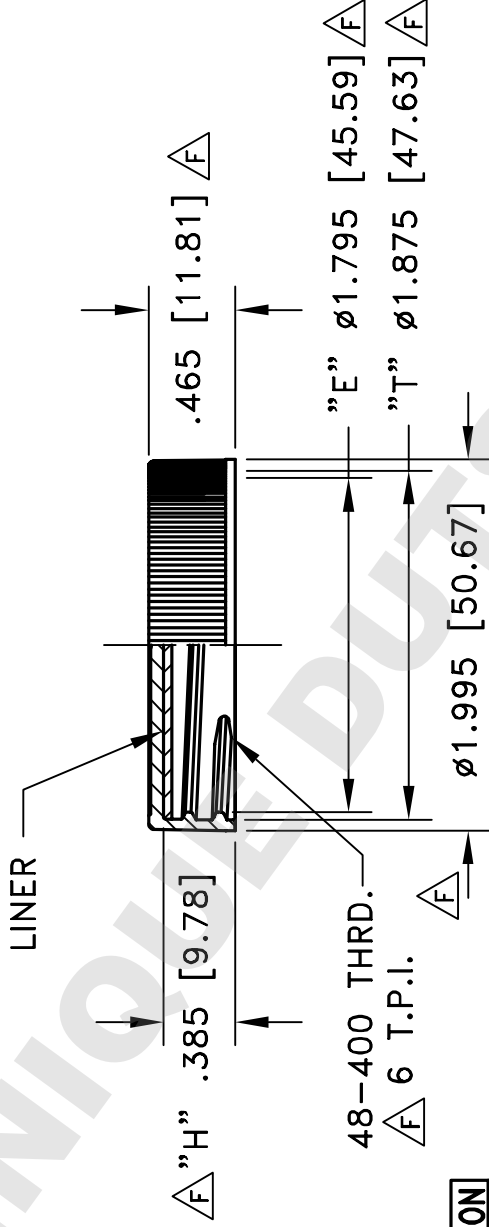
-----NOTES-----

1. DIMENSIONS ARE IN INCHES AND [MILLIMETERS].

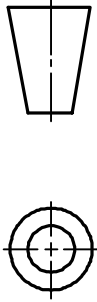
2. APPROXIMATE WEIGHT: 4.2 GRAMS AVG, EXCLUDES LINER.

△ TOLERANCE UNLESS SPECIFIED:

.XXX = ±0.010 [0.25]



THIRD ANGLE PROJECTION



THIS DRAWING CONTAINS CONFIDENTIAL INFORMATION AND IS A COPYRIGHT OF WHEATON INDUSTRIES INC. IT MAY NOT BE DUPLICATED FOR ANY PURPOSE IN WHOLE OR IN PART WITHOUT THE EXPRESS WRITTEN CONSENT OF WHEATON INDUSTRIES INC. ALL RIGHTS RESERVED. ELECTRONIC OR PAPER COPIES OF THIS PRINT OUTSIDE OF WHEATON'S SYSTEM ARE UNCONTROLLED AND ARE FOR REFERENCE ONLY UNLESS OTHERWISE STAMPED.

:GCA\239240

△ CAP MATERIAL: WHITE POLYPROPYLENE

△ LINER MATERIAL: POLYETHYLENE FOAM WITH PTFE-FACED

△ .040 [1.02] PTFE-FACED
 △ .005 [0.13] PTFE-FACED

ITEM	QTY.	DESCRIPTION
F	2014012714492591	02/26/14 TP
E	2011101211223320	10/28/11 TP
D	12967	10-05-01 BL
C	12920	09-20-01 BL
B	12072	01-18-01 DB
A	10718	11-11-99 DB
REV	E.C.N. #	DATE

DATE DRAWN	06-24-93	PROJ #	
DRAWN BY	BILL P. SHIPLEY	APPROX. WGT.	
CHECKED BY	B.C.S.	AUTHORIZED	RB

WHEATON®
 1501 North 10th Street | Millville, NJ 08332-2038 | USA

FINISH 48-400

SCALE: FULL UNLESS NOTED. DO NOT SCALE THIS DRAWING.

DWG.NO:A- 239240