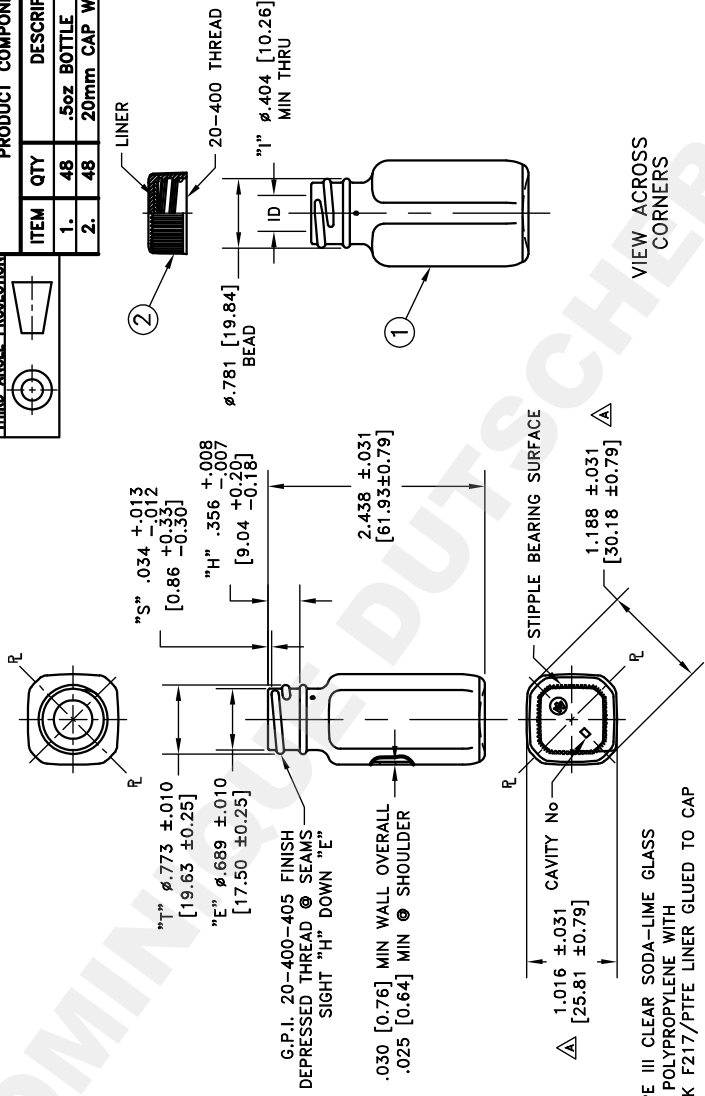


GCA\W216877
 THIS DRAWING CONTAINS CONFIDENTIAL INFORMATION.
 ANY REPRODUCTION OF THIS DRAWING WITHOUT THE
 EXPRESS WRITTEN PERMISSION OF WHEATON BOTTLE
 COMPANY IS STRICTLY PROHIBITED.
 ELECTRONIC OR MECHANICAL REPRODUCTION OF THIS DRAWING
 FOR ANY PURPOSES IS STRICTLY PROHIBITED UNLESS OTHERWISE STATED.

THIRD ANGLE PROJECTION



| PRODUCT COMPONENTS | | |
|--------------------|-----|-------------------|
| ITEM | QTY | DESCRIPTION |
| 1. | 48 | .5oz BOTTLE |
| 2. | 48 | 20mm CAP W/ LINER |



VIEW ACROSS CORNERS

BOTTLE MATERIAL: TYPE III CLEAR SODA-LIME GLASS
 CAP MATERIAL: WHITE POLYPROPYLENE WITH
 .040 [1.02] THICK F217/PTFE LINER GLUED TO CAP

- 4. MILLIMETER DIMENSIONS AND DIMENSIONS NOT TOLERANCED ARE FOR REFERENCE ONLY.
- 3. APPROXIMATE WEIGHT: BOTTLE: .846oz. (24.0grams); CAP: 1.40grams EXCLUDING LINER.
- 2. PRACTICAL FILL: 1/2oz.
- 1. DIMENSIONS ARE IN INCHES AND [MILLIMETERS].

| | | | | | |
|--|----------|----------|---------------|---------------------|-------------|
| DATE DRAWN | 06/13/14 | FORM | A | 201502081525618 | 02/16/15 TP |
| DRAWN BY | KW | APPROVAL | WV-SEE NOTE 3 | INITIAL RELEASE | 06/13/14 KW |
| CHECKED BY | TP | APPROVED | GB | 06/13/14 REV | E.C.N. # |
| WHEATON® <small>100 Mt. Airy, NC 27030</small> | | | | DWG. NO: B- W216877 | |
| SCALE: FULL UNLESS NOTED. DO NOT SCALE THIS DRAWING. | | | | | |

NOTES:-----