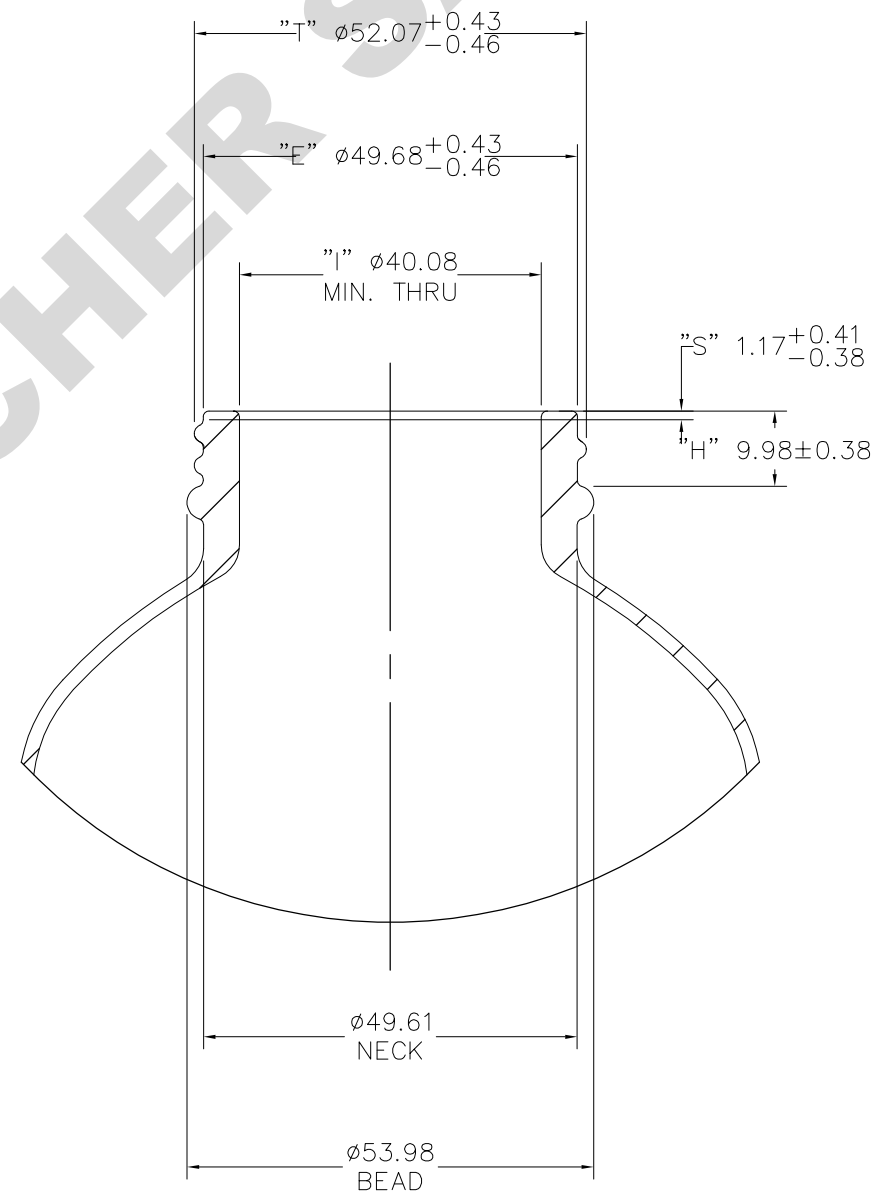
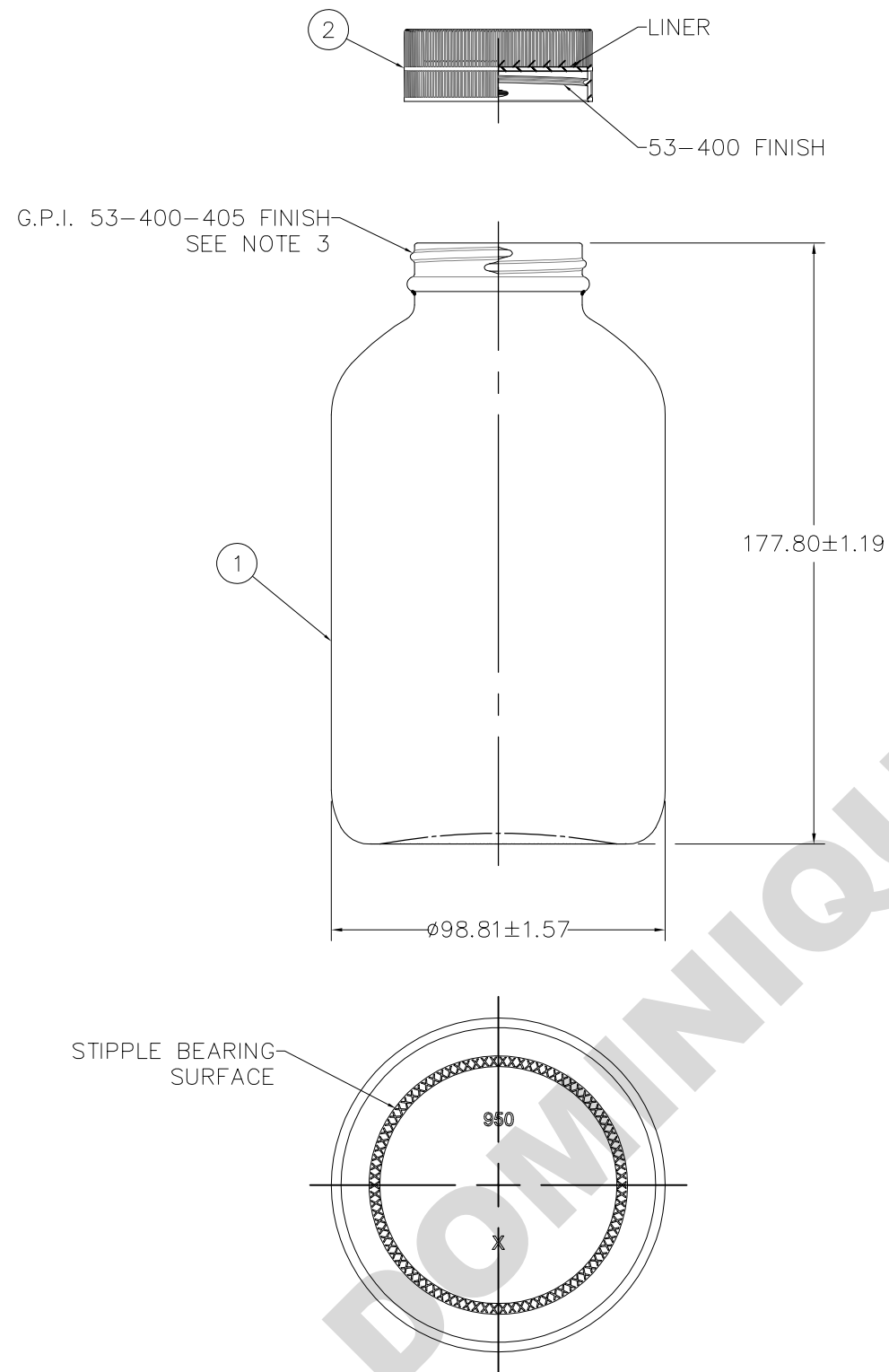


NOTES:

1. DIMENSIONS NOT TOLERANCED ARE FOR REFERENCE ONLY.
2. APPROXIMATE WEIGHT: BOTTLE: 13.686oz (388gr), CAP: 5±1.5gr, EXCLUDING LINER.
3. DEPRESSED THREAD AT SEAMS
4. BOTTOM VIEW MAY VARY DUE TO DIFFERENT MANUFACTURING LOTS.
5. CAPACITY: 950cc (1002.7±11.1cc OVERFLOW)
6. BOTTLE MATERIAL: TYPE III AMBER SODA-LIME GLASS
CAP MATERIAL: WHITE POLYPROPYLENE
LINER MATERIAL: 1.02 FOAMED LOW DENSITY PE BETWEEN TWO SOLID LAYERS OF LOW DENSITY PE/ 0.13 NATURAL PTFE

REV	DESCRIPTION OF CHANGE	DRAWN BY	DATE	ECN
D	N/A	TP	01/13/16	2015090315204659
-	N/A	KW	06/09/17	N/A
-	UPDATED TO NEW DWK BORDER AND TEMPLATE	HK	03/29/22	N/A



1	12	53-400 CAP WITH LINER - SEE NOTE 6
1	12	1000mL BOTTLE - SEE NOTE 6
ITEM QTY.	MATERIAL: DESCRIPTION AND SPECIFICATIONS	
		TITLE: 32OZ. BTL, WM PKR, TYPE III AMB, PP/PTFE LN
ITEM NUMBER:	W216950	DRAWING NUMBER: CSD-W216950
SAP NUMBER:	W216950	OLD MATERIAL NUMBER: N/A
DRAWN BY:	BL	DRAWN DATE: 05/05/04
SHEET SIZE:	D	SHEET NUMBER: 1 OF 1 SHEET SCALE: 1:1

THIS CONFIDENTIAL AND PROPRIETARY DRAWING AND THE INFORMATION IN IT ARE THE EXCLUSIVE PROPERTY OF DWK LIFE SCIENCES. IT IS PROVIDED WITH THE UNDERSTANDING AND INTENTION THAT NOTHING CONTAINED HEREIN WILL BE REPRODUCED OR DISCLOSED TO THIRD PARTIES WITHOUT THE PRIOR EXPRESS WRITTEN CONSENT OF DWK LIFE SCIENCES.
ELECTRONIC OR PAPER COPIES OF THIS PRINT OUTSIDE OF DWK LIFE SCIENCES ARE UNCONTROLLED AND ARE FOR REFERENCE ONLY UNLESS OTHERWISE STAMPED.

TOLERANCES
DIMENSIONS
IN
MILLIMETERS
UNLESS
SPECIFIED
X ± 2mm
X.X ± 0.2mm
X.XX ± 0.1mm

