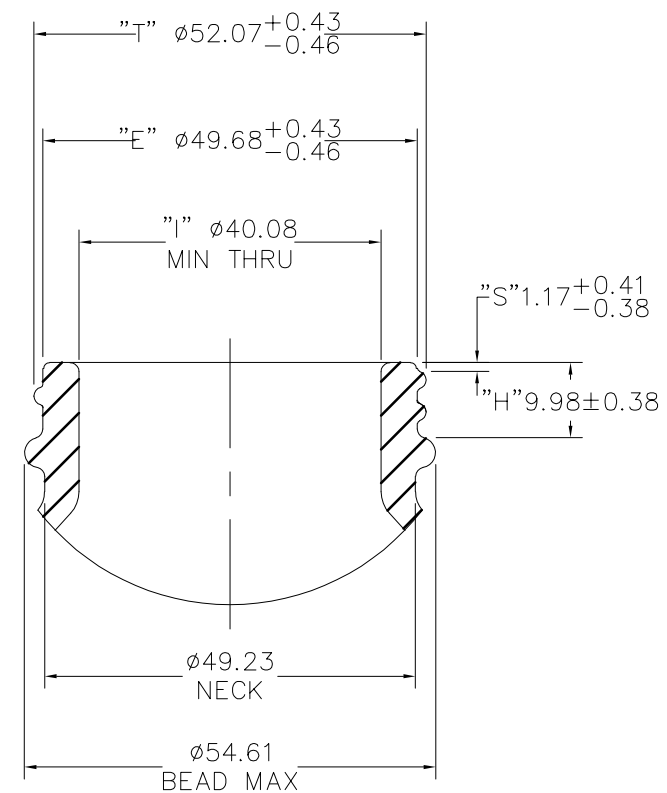
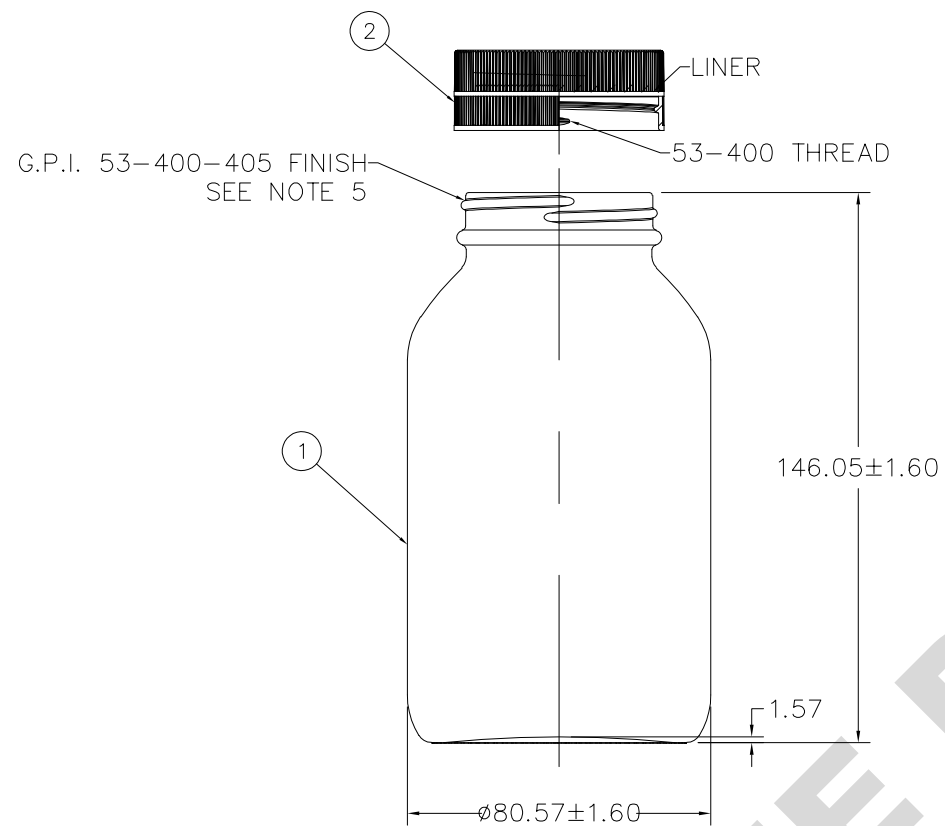


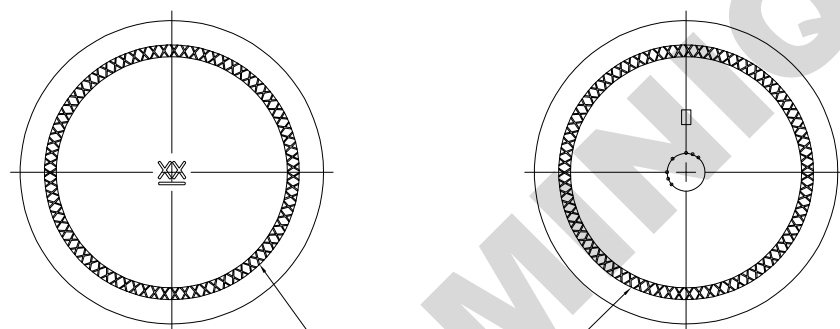
NOTES:

1. DIMENSIONS NOT TOLERANCED ARE FOR REFERENCE ONLY.
2. BOTTOM VIEW MAY VARY DUE TO DIFFERENT MANUFACTURING LOTS.
3. APPROX WEIGHTS: BOTTLE 9.53oz (270gr), Cap: 4.9±1.5gr EXCLUDING LINER.
4. CAPACITY: 533.37±7.4cc OVERFLOW
5. DEPRESSED THREADS AT SEAMS 1 "H" TO BE MEASURED DOWN "E".
6. BOTTLE MATERIAL: TYPE III AMBER SODA-LIME GLASS
CAP MATERIAL: WHITE POLYPROPYLENE
LINER MATERIAL: 1.02 FOAMED LOW DENSITY PE BETWEEN TWO SOLID LAYERS OF LOW DENSITY PE/ 0.13 NATURAL PTFE

REV	DESCRIPTION OF CHANGE	DRAWN BY	DATE	ECN
D	N/A	TP	01/08/15	2015082613382929
-	REVISED TO DWK TDS	EL	03/16/21	N/A
-	UPDATED TO NEW DWK BORDER AND STANDARDS	HK	03/29/22	N/A



FINISH DETAIL
2:1



ALPHA NUMERIC

STIPPLE BEARING SURFACE

1	12	53-400 CAP - SEE NOTE 6
1	12	500mL BOTTLE - SEE NOTE 6
ITEM	QTY.	MATERIAL: DESCRIPTION AND SPECIFICATIONS
		TITLE: 16OZ BTL, WM PKR, TYPE III AMB, PP/PTFE LN
ITEM NUMBER:	W216949	DRAWING NUMBER: CSD-W216949
SAP NUMBER:	W216949	OLD MATERIAL NUMBER: N/A
DRAWN BY:	BL	DRAWN DATE: 05/05/04
SHEET SIZE:	D	SHEET NUMBER: 1 OF 1
		SHEET SCALE: 1:1

THIS CONFIDENTIAL AND PROPRIETARY DRAWING AND THE INFORMATION IN IT ARE THE EXCLUSIVE PROPERTY OF DWK LIFE SCIENCES. IT IS PROVIDED WITH THE UNDERSTANDING AND INTENTION THAT NOTHING CONTAINED HEREIN WILL BE REPRODUCED OR DISCLOSED TO THIRD PARTIES WITHOUT THE PRIOR EXPRESS WRITTEN CONSENT OF DWK LIFE SCIENCES.
ELECTRONIC OR PAPER COPIES OF THIS PRINT OUTSIDE OF DWK LIFE SCIENCES ARE UNCONTROLLED AND ARE FOR REFERENCE ONLY UNLESS OTHERWISE STAMPED.

TOLERANCES
DIMENSIONS
IN
MILLIMETERS
UNLESS
SPECIFIED
X ± 2mm
X.X ± 0.2mm
X.XX ± 0.1mm