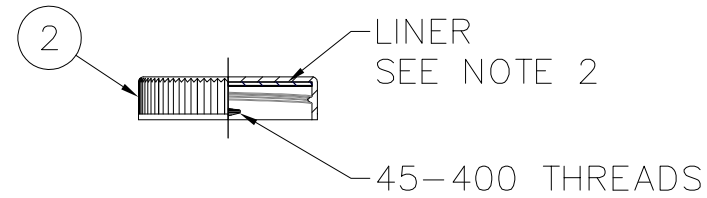


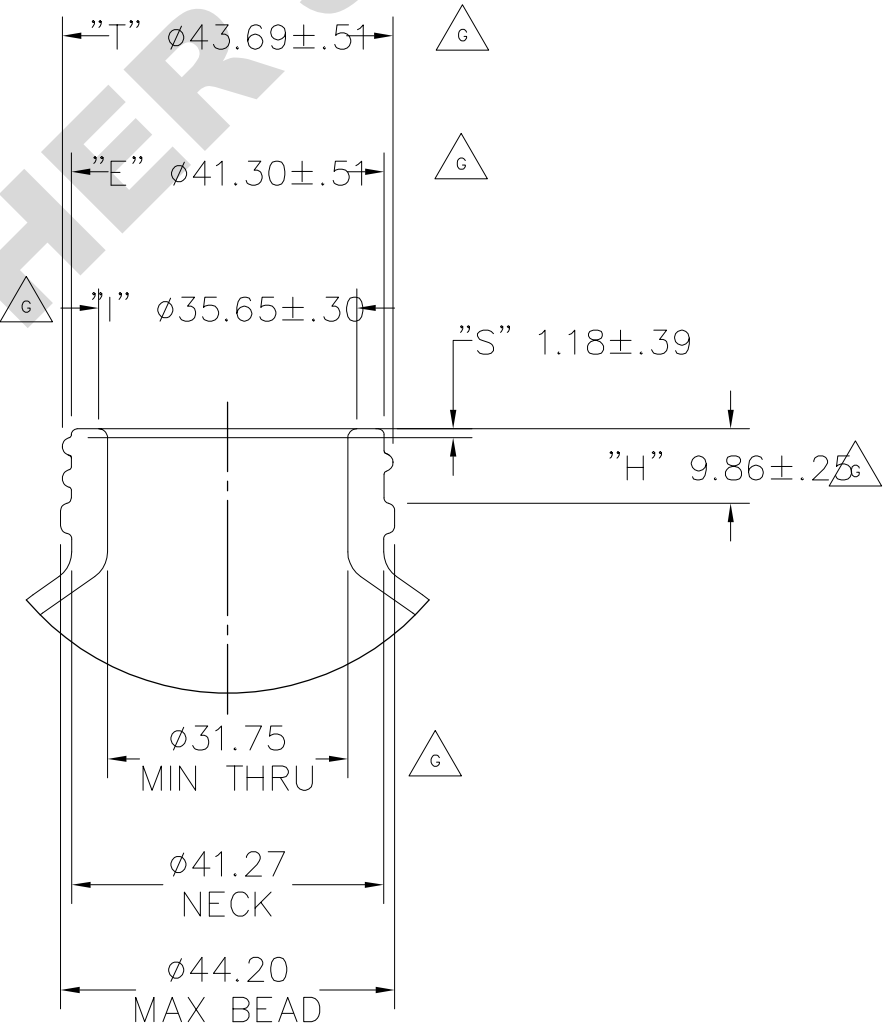
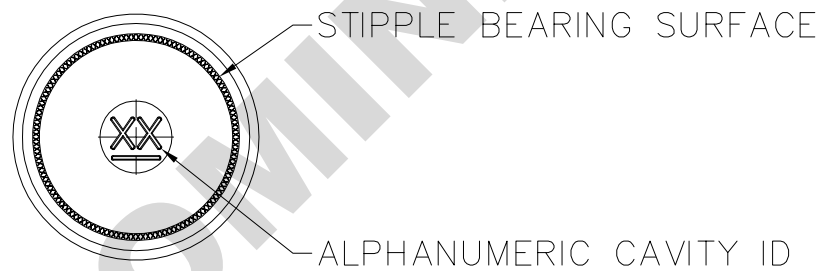
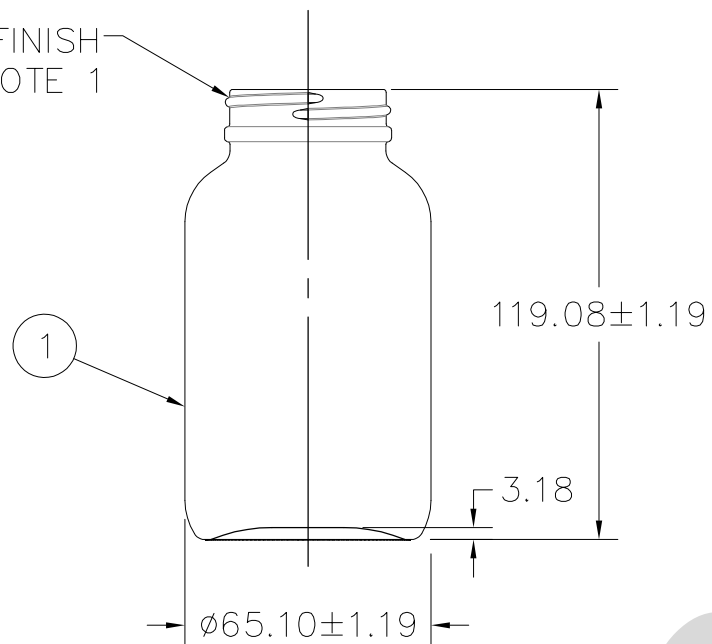
NOTES:

1. DEPRESSED THREADS AT SEAMS I SIGHT "H" DOWN "E".
2. LINER MATERIAL: 1.02 THK POLYETHYLENE FOAM WITH .13 THK NATURAL PTFE-FACED.
3. BOTTOM VIEW MAY VARY DUE TO DIFF MANUFACTURING LOTS.
4. BOTTLE CAPACITY: 274.5±4.6cc (OVERFLOW).
5. BOTTLE WEIGHT: 168g (APPROX) | CAP: 3.6±1g (EXCLUDING LINER).

REV	DESCRIPTION OF CHANGE	DRAWN BY	DATE	ECN
G	REVISED DIMENSIONS AND TOLERANCES	EL	09/07/21	202108251106516
-	UPDATED TO NEW DWK BORDER AND STANDARDS	HK	04/11/22	N/A



G.P.I. 45-400/405 FINISH
SEE NOTE 1



FINISH DETAIL
1:1

2	1	WHITE POLYPROPYLENE WITH LINER – SEE NOTE 2
1	1	TYPE III AMBER SODA-LIME GLASS
ITEM	QTY.	MATERIAL: DESCRIPTION AND SPECIFICATIONS
THIRD ANGLE PROJECTION		TITLE: 8OZ BTL, WM PKR, TYPE III AMB, PP/PTFE LN
ITEM NUMBER:	W216948	DRAWING NUMBER: CSD-W216948
SAP NUMBER:	W216948	OLD MATERIAL NUMBER: N/A
DRAWN BY: BL		DRAWN DATE: 05/05/14
SHEET SIZE: B		SHEET NUMBER: 1 OF 1
		SHEET SCALE: 1:2

THIS CONFIDENTIAL AND PROPRIETARY DRAWING AND THE INFORMATION IN IT ARE THE EXCLUSIVE PROPERTY OF DWK LIFE SCIENCES. IT IS PROVIDED WITH THE UNDERSTANDING AND INTENTION THAT NOTHING CONTAINED HEREIN WILL BE REPRODUCED OR DISCLOSED TO THIRD PARTIES WITHOUT THE PRIOR EXPRESS WRITTEN CONSENT OF DWK LIFE SCIENCES.
ELECTRONIC OR PAPER COPIES OF THIS PRINT OUTSIDE OF DWK LIFE SCIENCES ARE UNCONTROLLED AND ARE FOR REFERENCE ONLY UNLESS OTHERWISE STAMPED.

TOLERANCES
DIMENSIONS IN
MILLIMETERS
UNLESS SPECIFIED
X ± 2mm
X.X ± 0.5mm
X.XX ± 0.15mm

