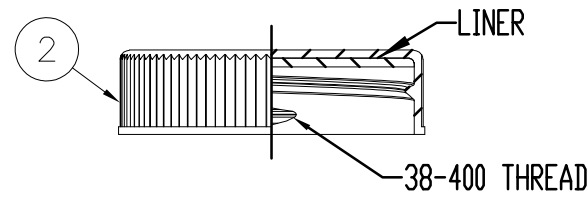


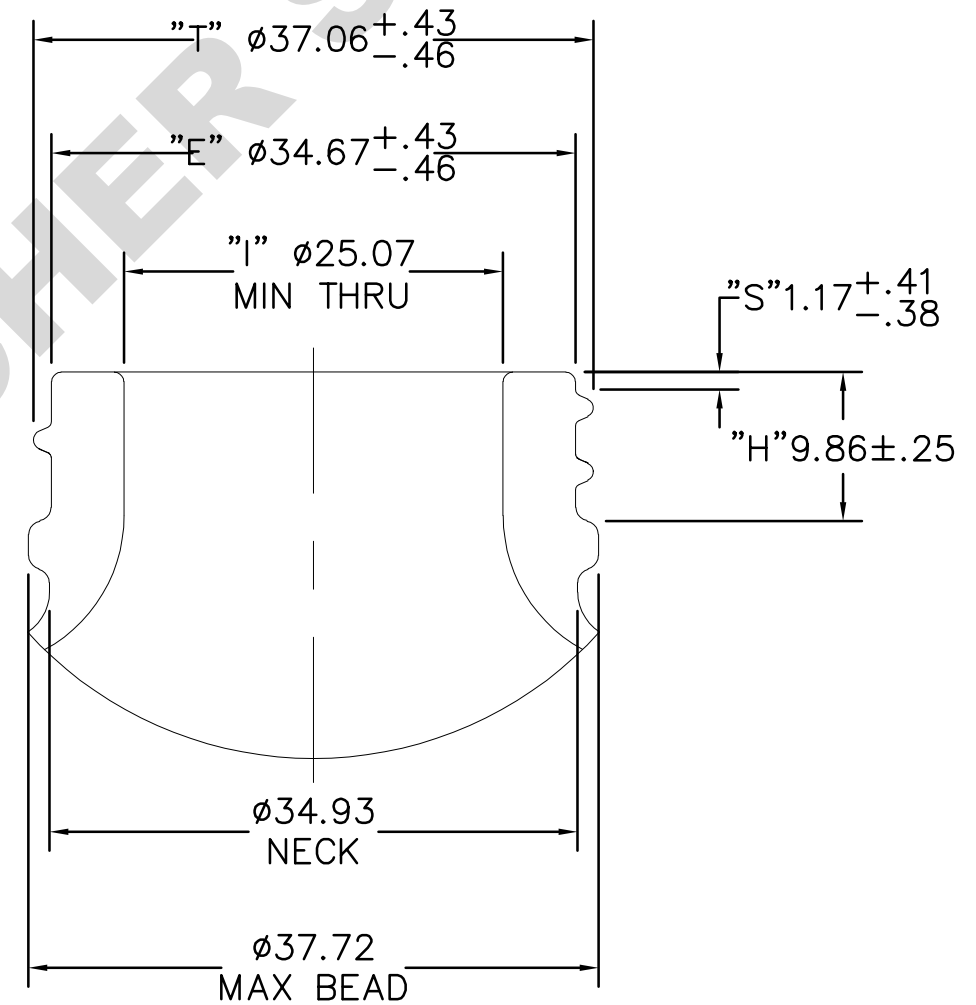
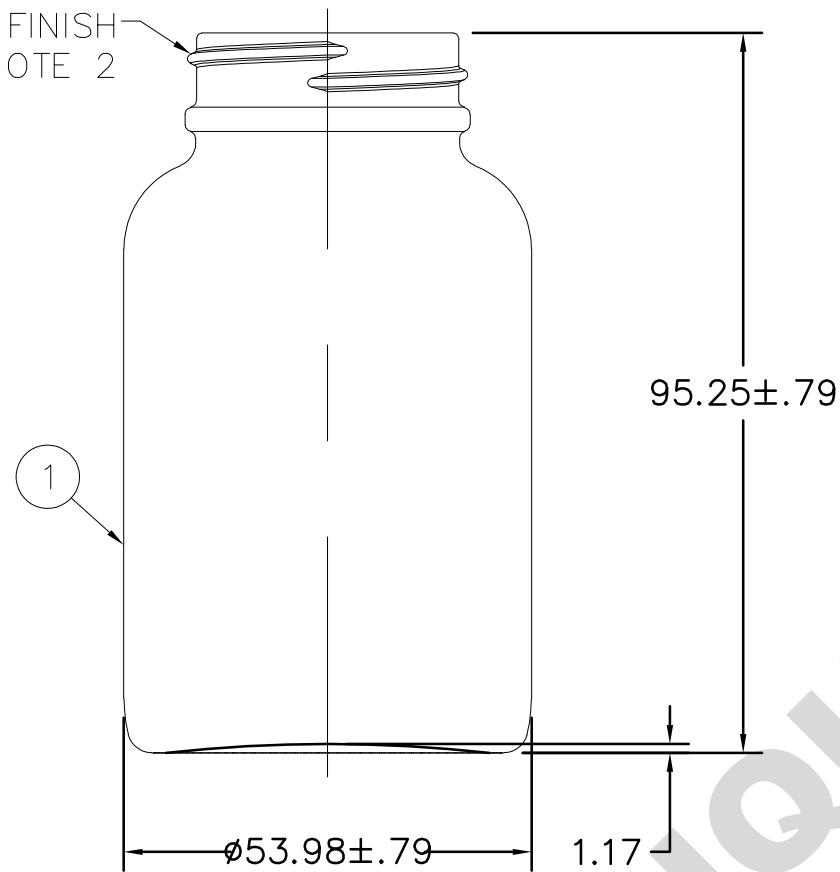
NOTES:

1. DIMENSIONS NOT TOLERANCED ARE FOR REF ONLY.
2. DEPRESSED THREADS AT SEAMS. SIGHT "H" AT "E".
3. BOTTOM VIEW MAY VARY DUE TO DIFF MANUFACTURING LOTS.
4. APPROX WEIGHTS: BOTTLE 118.7gr. | CAP 2.8gr. EXCLUDING LINER.

REV	DESCRIPTION OF CHANGE	DRAWN BY	DATE	ECN
E	N/A	TP	12/22/15	2015090315204659
-	UPDATED TO NEW DWK BORDER AND STANDARDS	HK	04/19/22	N/A

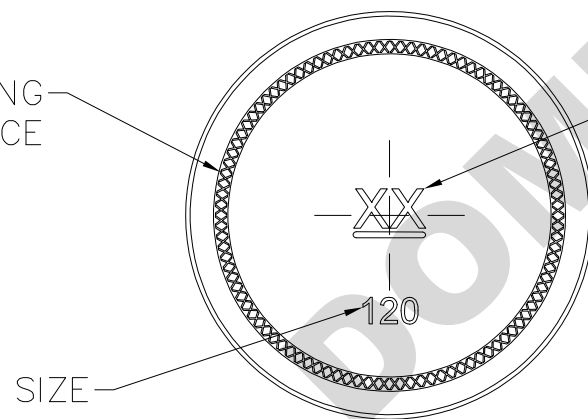


G.P.I. 38-400-405 C/R FINISH  
SEE NOTE 2



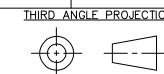
FINISH  
DETAIL  
2:1

STIPPLE BEARING  
SURFACE



ALPHA NUMERIC  
CAVITY IDENTIFICATION

1	24	CAP: WHITE POLYPROPYLENE   LINER: 1.02 THICK POLYETHYLENE FOAM WITH .13 NATURAL PTFE
1	24	BOTTLE: TYPE III AMBER SODA-LIME GLASS
ITEM	QTY.	MATERIAL: DESCRIPTION AND SPECIFICATIONS



TITLE: 4OZ BTL, WM PKR, TYPE III AMB, PP/PTFE LN

THIS CONFIDENTIAL AND PROPRIETARY DRAWING AND THE INFORMATION IN IT ARE THE EXCLUSIVE PROPERTY OF DWK LIFE SCIENCES. IT IS PROVIDED WITH THE UNDERSTANDING AND INTENTION THAT NOTHING CONTAINED HEREIN WILL BE REPRODUCED OR DISCLOSED TO THIRD PARTIES WITHOUT THE PRIOR EXPRESS WRITTEN CONSENT OF DWK LIFE SCIENCES.  
ELECTRONIC OR PAPER COPIES OF THIS PRINT OUTSIDE OF DWK LIFE SCIENCES ARE UNCONTROLLED AND ARE FOR REFERENCE ONLY UNLESS OTHERWISE STAMPED.

TOLERANCES  
DIMENSIONS IN  
MILLIMETERS  
UNLESS SPECIFIED  
X ± 2mm  
X.X ± 0.5mm  
X.XX ± 0.15mm



ITEM NUMBER: W216947  
SAP NUMBER: W216947

DRAWING NUMBER: CSD-W216947  
OLD MATERIAL NUMBER: N/A

DRAWN BY: BL  
DRAWN DATE: 05/05/04  
SHEET SIZE: B  
SHEET NUMBER: 1 OF 1  
SHEET SCALE: 1:1