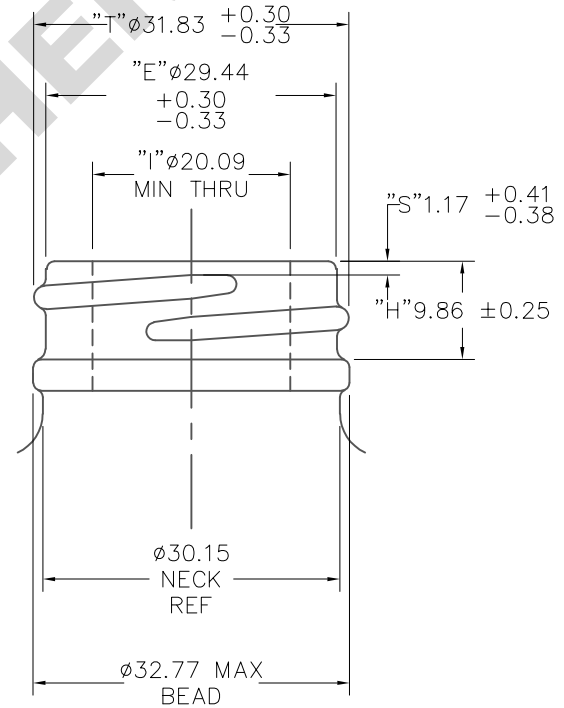
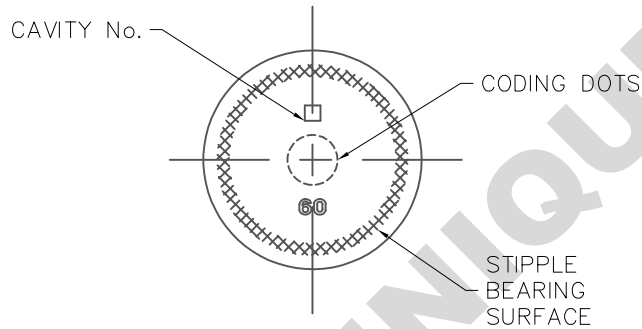
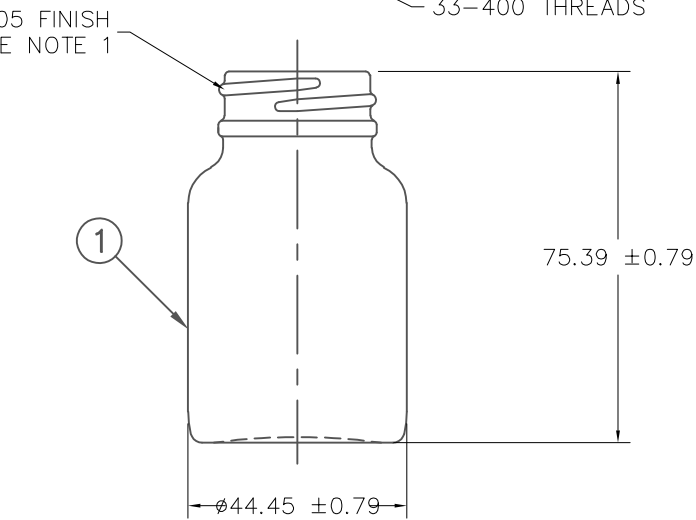
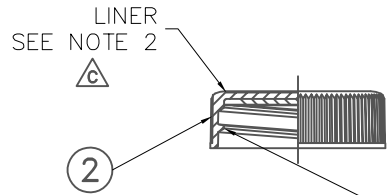


REV	DESCRIPTION OF CHANGE	DRAWN BY	DATE	ECN
B	REVISED DRAWING	TP	11/02/11	201101211223320
C	REVISED LINER MATERIAL	EL	02/02/21	2020121807540742



NOTES:

- DEPRESSED THREADS AT SEAMS. SLIGHT "H" DOWN "E".
- LINER MATERIAL: F217 (POLYETHYLENE FOAM) 1.27 THICK WITH 0.13 PTFE-FACED. LAMINATED TOGETHER. HOT MELT ADHESIVE TO CAP. △
- BOTTOM VIEW MAY VARY DUE TO DIFFERENT MANUFACTURING LOTS.
- WEIGHT: 70.8g (ELUDES CAP & LINER)

THIS CONFIDENTIAL AND PROPRIETARY DRAWING AND THE INFORMATION IN IT ARE THE EXCLUSIVE PROPERTY OF DWK LIFE SCIENCES. IT IS PROVIDED WITH THE UNDERSTANDING AND INTENTION THAT NOTHING CONTAINED HEREIN WILL BE REPRODUCED OR DISCLOSED TO THIRD PARTIES WITHOUT THE PRIOR EXPRESS WRITTEN CONSENT OF DWK LIFE SCIENCES.
ELECTRONIC OR PAPER COPIES OF THIS PRINT OUTSIDE OF DWK LIFE SCIENCES ARE UNCONTROLLED AND ARE FOR REFERENCE ONLY UNLESS OTHERWISE STAMPED.

TOLERANCES
DIMENSIONS IN
MILLIMETERS
UNLESS SPECIFIED
X ± 0.25mm
XX ± 0.5mm
XXX ± 0.15mm



2	24	WHITE POLYPROPYLENE RESIN: BRASKEM FT200WV – SEE NOTE 2
1	24	TYPE III AMBER SODA-LIME GLASS
ITEM	QTY.	MATERIAL: DESCRIPTION AND SPECIFICATIONS
THIRD ANGLE PROJECTION		TITLE: 2 OZ BTL, WM PKR, TYPE III AMB, PP/PTFE LN
ITEM NUMBER:	W216946	DRAWING NUMBER: CSD-W216946
SAP NUMBER:	W216946	OLD MATERIAL NUMBER: V/A
DRAWN BY:	BL	DRAWN DATE: 05/05/04
SHEET SIZE:	B	SHEET NUMBER: 1 OF 1
		SHEET SCALE: 1:1