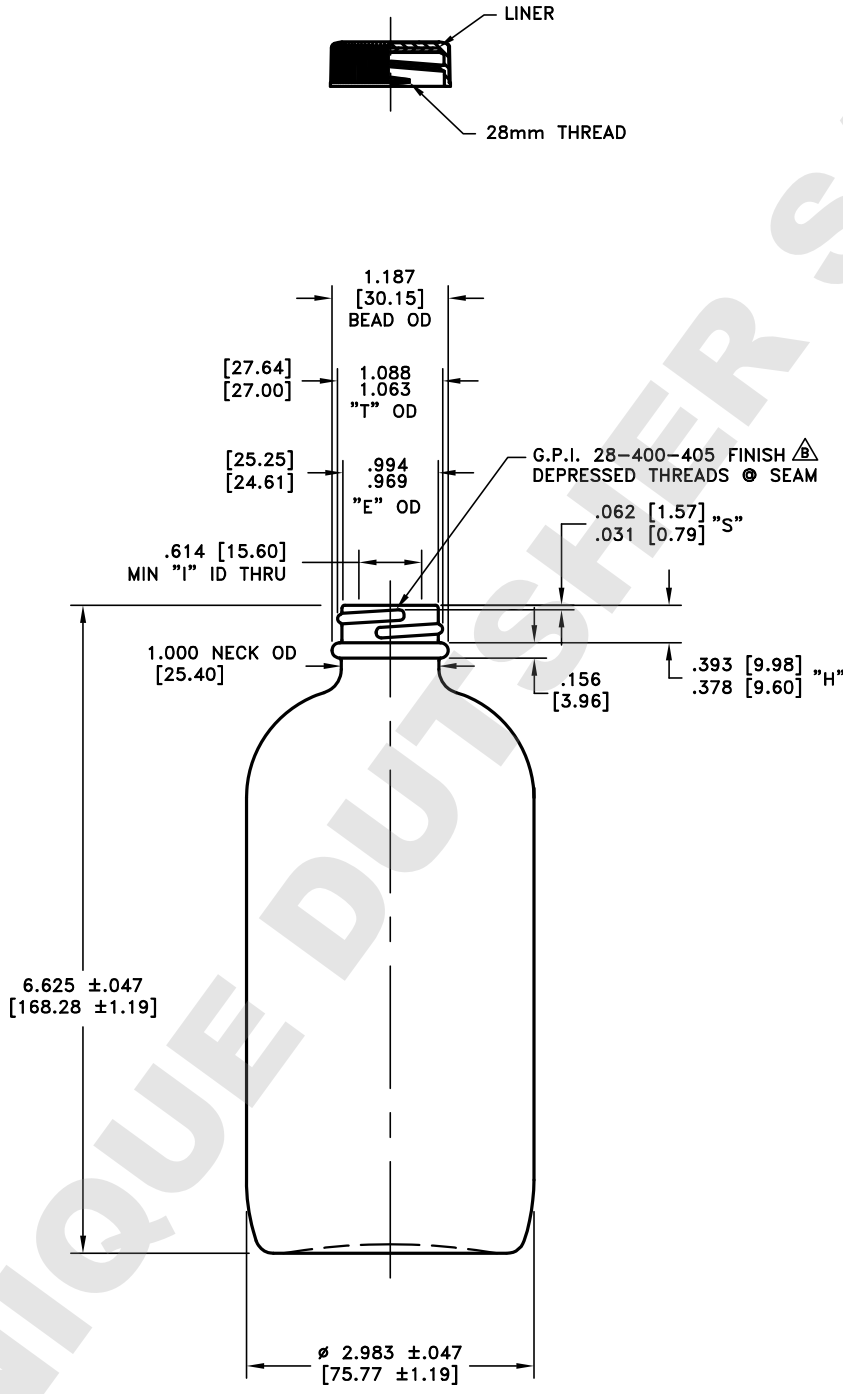
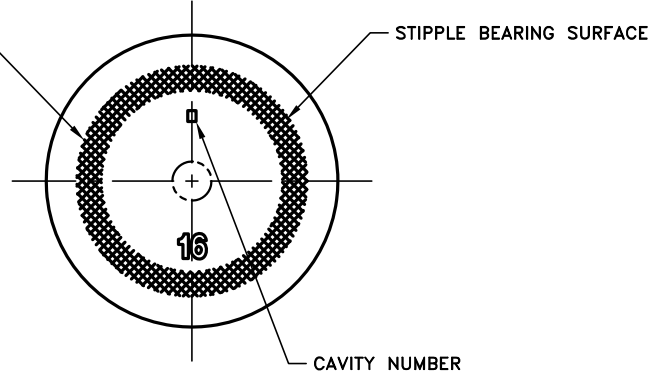


THIRD ANGLE PROJECTION	
PRODUCT COMPONENTS	DESCRIPTION
ITEM QTY	

GCA \ W216810  
 THIS DRAWING IS THE PROPERTY OF WHEATON INDUSTRIES, INC. IT IS TO BE USED ONLY FOR THE PROJECT AND QUANTITY SPECIFIED HEREON. IT IS NOT TO BE REPRODUCED OR TRANSMITTED IN ANY FORM OR BY ANY MEANS, ELECTRONIC OR MECHANICAL, INCLUDING PHOTOCOPYING, RECORDING, OR BY ANY INFORMATION STORAGE AND RETRIEVAL SYSTEM, WITHOUT THE WRITTEN PERMISSION OF WHEATON INDUSTRIES, INC.



CODING DOTS TO APPEAR ON A .200 [5.08] RADIUS (OPTIONAL)



BOTTLE MATERIAL: TYPE III CLEAR SODA-LIME GLASS  
 CAP MATERIAL: WHITE POLYPROPYLENE WITH .040 [1.02] THICK F217 FOAMED POLYETHYLENE WITH .005 [0.13] THICK PTFE FACED LINER

FILE	DATE	BY	CHKD BY	APP'D BY	REV	DATE
16oz BTL, TYPE III CLR, PP CAP, PTFE LN	10/30/07	B. LLOYD			A	11/01/11
CAPACITY 484cc-502cc OVERFLOW (77cc-66cc BON)						
FROM G.P.I. 28-400-405						
SCALE: FULL UNLESS NOTED. DO NOT SCALE THIS DRAWING.						
UNCONTROLLED COPY						DWG. NO: c-W216810

- DIMENSIONS ARE IN INCHES AND [MILLIMETERS].
- APPROXIMATE WEIGHT EXCLUDES CAP.
- PRACTICAL FILL: 16oz