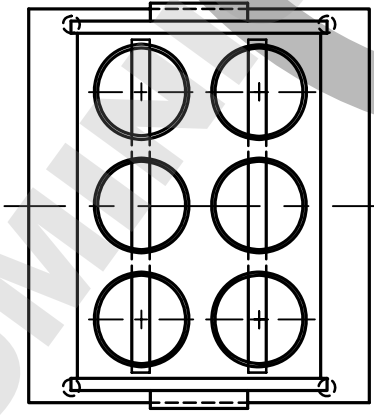
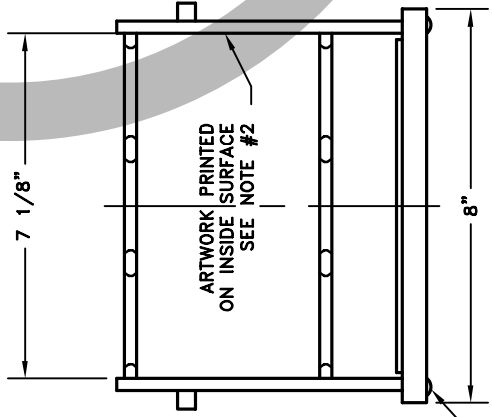


1.00-008 805015-REV01  
 APPROVED BY: [Signature]  
 DATE: 06/25/03  
 BY: [Signature]  
 TITLE: [Signature]

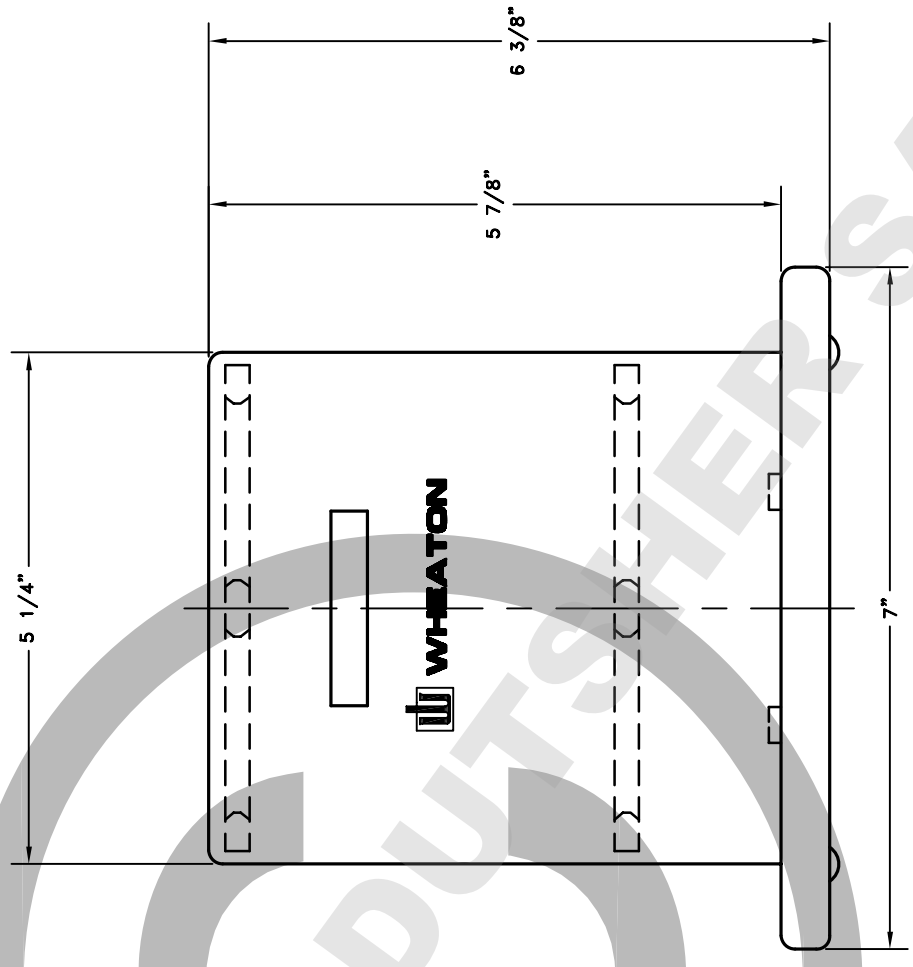
THIRD ANGLE PROJECTION		PRODUCT COMPONENTS	
		ITEM	DESCRIPTION
		QTY	



TOP VIEW  
 SCALE 1/2



SIDE VIEW  
 SCALE 1/2



FRONT VIEW  
 ACTUAL SIZE

**UNCONTROLLED COPY**

TITLE <b>RACK FOR HYBRIDIZATION BOTTLE</b>		DATE CHANGED 06-25-03	BY B. LLOYD	REV A	APPROVED BY [Signature]	DATE 06/25/03
PART NO. 805015		MATERIAL ACRYLIC		E.C.N. #		
DESIGNED BY TRJ		DRAWN BY CJM		REV #		
CHECKED BY [Signature]		DATE 06-25-03		DATE		
COMPANY WHEATON INDUSTRIES INC.		DWG. NO: C- 805015				
ADDRESS 1501 14th St. S.W. Walk. H 10020-2008						

2. ARTWORK COLOR BLACK.  
 1. ALL DIMENSIONS ARE AVERAGE.

-----NOTES-----