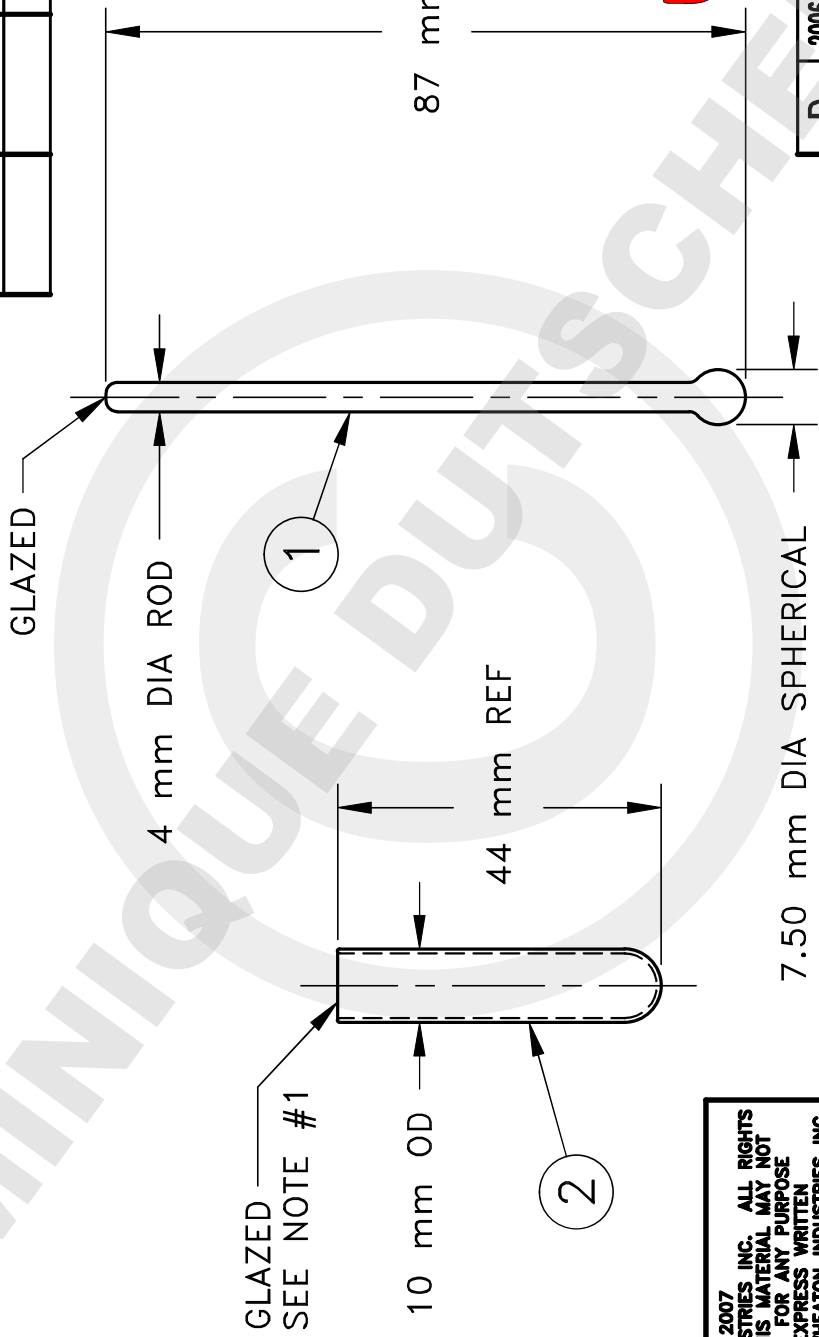


-----NOTES-----

1. CRITICAL - TUBE I.D. MUST ACCEPT PESTLE.

PRODUCT COMPONENTS	
ITEM	QTY. DESCRIPTION
1.	25 WF033603
2.	25 WA357860



COPYRIGHT BY 2007
 WHEATON INDUSTRIES INC. ALL RIGHTS
 RESERVED. THIS MATERIAL MAY NOT
 BE DUPLICATED FOR ANY PURPOSE
 WITHOUT THE EXPRESS WRITTEN
 CONSENT OF WHEATON INDUSTRIES INC.

: GCA \ 357860

UNCONTROLLED COPY

D	20061018151334	10/19/06	TRJ
C	12078	12-04-00	DB
B	10631	09-21-99	DB
A	3733	02-10-93	TRJ
REV	E.C.N. #	DATE	

TITLE
MICRO DISPOSABLE TISSUE GRINDER

DATE DRAWN	03-26-91	MAT'L
DRAWN BY	THOMAS R. JOHNSON SR.	APPROX. WGT.
CHECKED BY	K. G. DAVIDSON	AUTHORIZED
M.K.		

CAPACITY	SIZE
FINISH	
SCALE: FULL UNLESS NOTED DO NOT SCALE THIS DRAWING	
TOLERANCE: ± 2mm UNLESS NOTED	

WHEATON Industries Inc.
 1501 North 10th Street, Millville, NJ 08332-2038

DWG.NO:A- 357860