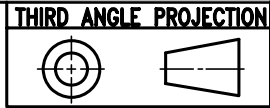
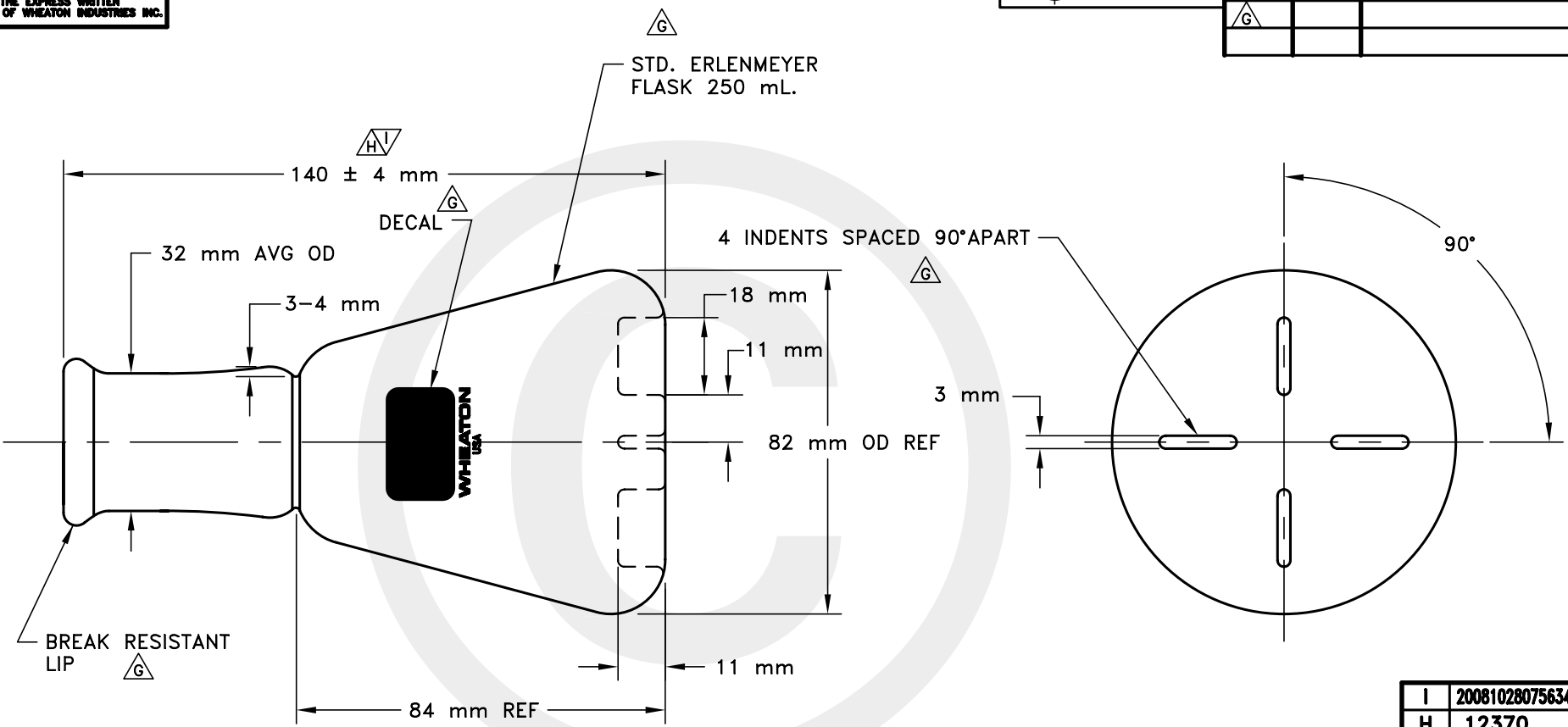


: GCA 354239
 COPYRIGHT BY 2007
 WHEATON INDUSTRIES INC. ALL RIGHTS
 RESERVED. THIS MATERIAL MAY NOT
 BE DUPLICATED FOR ANY PURPOSE
 WITHOUT THE EXPRESS WRITTEN
 CONSENT OF WHEATON INDUSTRIES INC.



PRODUCT COMPONENTS		
ITEM	QTY	DESCRIPTION
△G		



UNCONTROLLED COPY

△G MATERIAL: LOW EXTRACTABLE BOROSILICATE GLASS

I	2008102807563453	11/11/08 DL
H	12370	5-11-01 DB
G	10652	9-24-99 DB
F	3227	3-11-91 L MILLER
E	3191	1-23-91 TRJ
D	2123	11-3-87 MILLER
C	1845	5-3-87 CLI
B	1233	5-2-86 MILLER
A	680	3-25-85 MILLER
REV	E.C.N. #	DATE

TITLE	
250mL FLASK, SHAKE, 4 BAFFLES	
CAPACITY	250 mL
FINISH	

DATE DRAWN	8-23-84	MAT'L	
DRAWN BY	J. MacGeorge	APPROX. WGT.	
CHECKED BY	THOM LANE	AUTHORIZED	

-----NOTES-----

SCALE: FULL UNLESS NOTED
 DO NOT SCALE THIS DRAWING
 TOLERANCE: ± 2mm UNLESS NOTED

W WHEATON Industries Inc.
 1501 North 10th Street, Millville, NJ 08332-2038

DWG. NO: B- 354239