

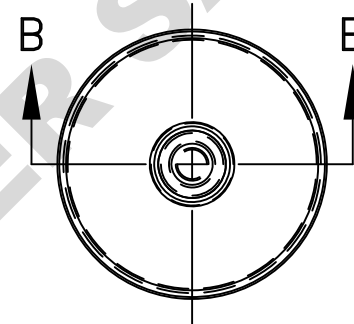
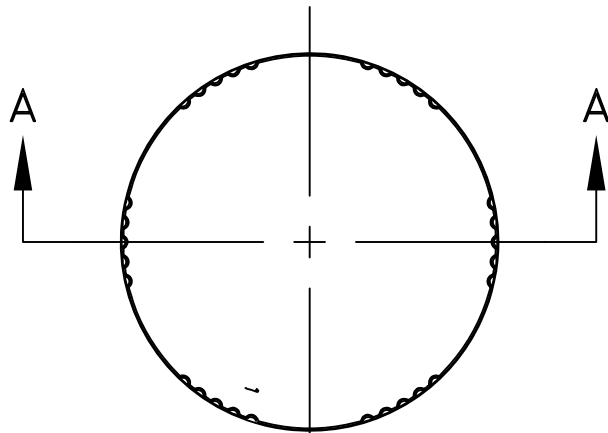
----NOTES----

PRODUCT COMPONENTS

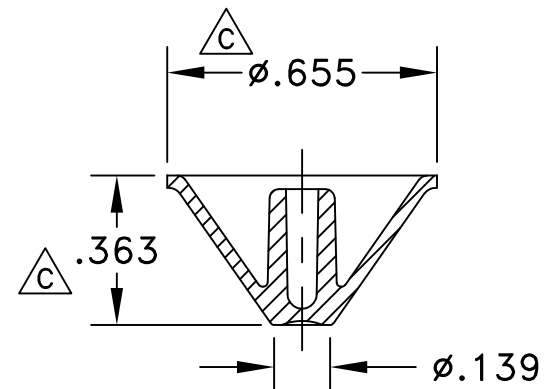
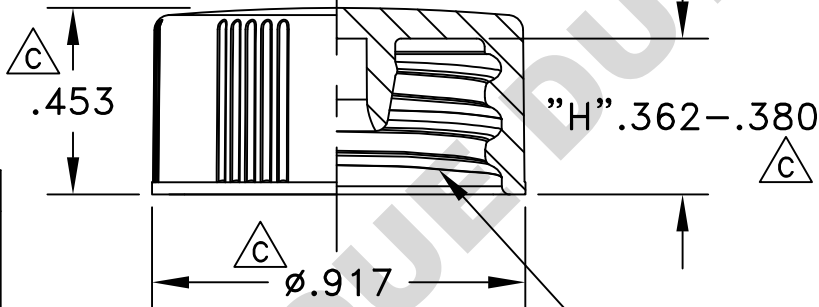
1. DIMENSIONS ARE IN INCHES.

ITEM	QTY	DESCRIPTION

TOLERANCE UNLESS SPECIFIED: ± 0.010



SCALE 2:1

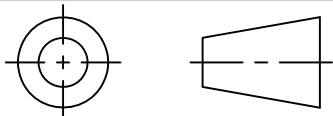


SECTION A-A

SECTION B-B

20-400 THREADS

THIRD ANGLE PROJECTION



THIS DRAWING CONTAINS CONFIDENTIAL INFORMATION AND IS A COPYRIGHT OF DWK LIFE SCIENCES INC. IT MAY NOT BE DUPLICATED FOR ANY PURPOSE IN WHOLE OR IN PART WITHOUT THE EXPRESS WRITTEN CONSENT OF DWK LIFE SCIENCES INC. ALL RIGHTS RESERVED. ELECTRONIC OR PAPER COPIES OF THIS PRINT OUTSIDE OF DWK LIFE SCIENCES SYSTEM ARE UNCONTROLLED AND ARE FOR REFERENCE ONLY UNLESS OTHERWISE STAMPED.



CAP MATERIAL: BLACK PHENOLIC
LINER MATERIAL: POLYETHYLENE CONE

: \DWGS\CSD-239253

TITLE		DATE DRAWN	PROJ#	CORPORATE NAME CHANGE	
20-400 CAP, PHEN BLK, PE CONE LNR		08/07/06		-	09/19/17 EL
DRAWN BY		CHECKED BY	APPROX. WGT.	C	2010082610274345
TRJ		BL 08/07/06			10/19/10 KS
CAPACITY	SIZE	AUTHORIZED	REV	E.C.N. #	DATE
		CJM 08/07/06			
FINISH		DURAN WHEATON KIMBLE		DWG.NO:A- CSD-239253	
G.P.I. 20-400 FINISH		1501 North 10th Street Millville, NJ 08332-2038 USA			
SCALE: FULL UNLESS NOTED. DO NOT SCALE THIS DRAWING.					