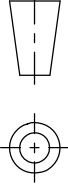


K:IGCAW224100-093

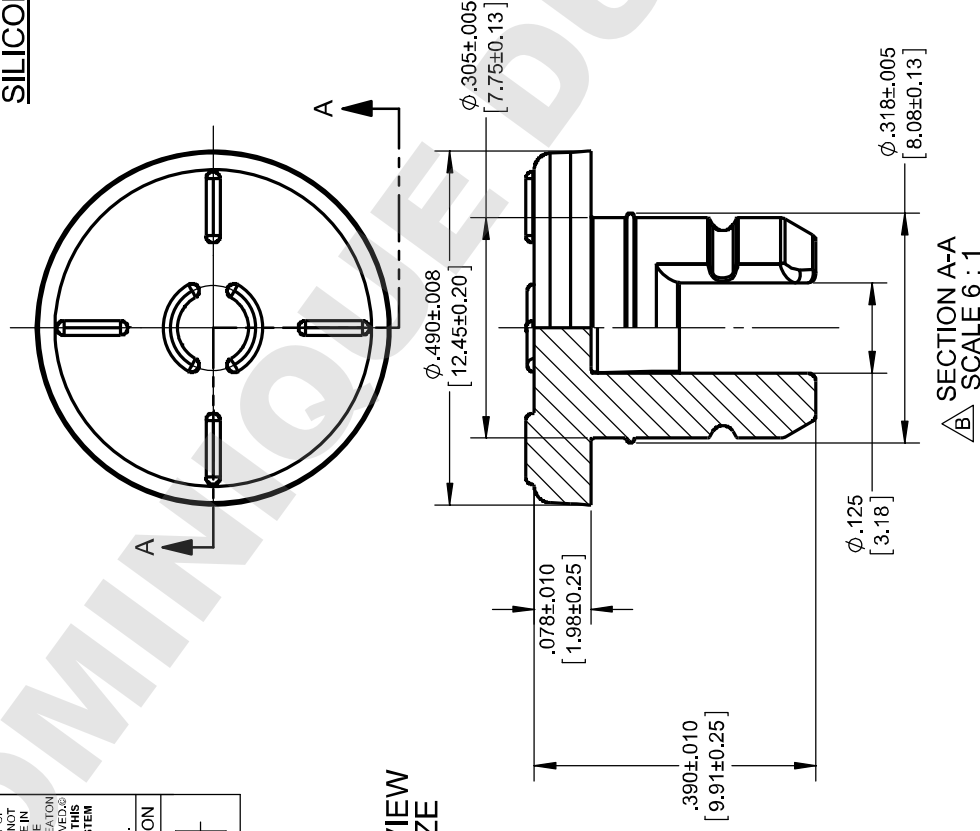
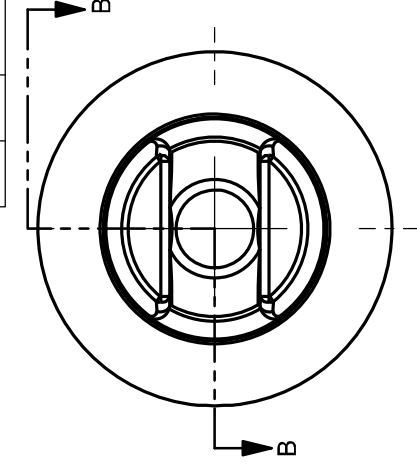
THIS DRAWING CONTAINS CONFIDENTIAL INFORMATION AND IS A COPYRIGHT OF WHEATON INDUSTRIES INC. IT MAY NOT BE REPRODUCED OR TRANSMITTED IN ANY FORM OR BY ANY MEANS, ELECTRONIC OR MECHANICAL, WITHOUT THE EXPRESS WRITTEN CONSENT OF WHEATON INDUSTRIES INC. ALL RIGHTS RESERVED. PHOTOGRAPHIC REPRODUCTION OF THIS DRAWING FOR ANY PURPOSES IS STRICTLY PROHIBITED. THIS DRAWING IS UNCONTROLLED UNLESS INDICATED OTHERWISE FOR REFERENCE ONLY UNLESS OTHERWISE STAMPED.

THIRD ANGLE PROJECTION



ISOMETRIC VIEW
ACTUAL SIZE

SILICONIZED



PRODUCT COMPONENTS

ITEM QTY DESCRIPTION

MATERIAL: GRAY CHLOROBUTYL RUBBER
B5001-50/96

FILE
13mm STPR, 2 LEG LYO (7X13) BUTYL GRY

DATE DRAWN	07/30/08	PROJ#	B	2014050610282780	05/15/14 TP
DRAWN BY	JB	APPROX WGT	A	20080730101942	07/30/08 JB
CHECKED BY	BL 07/31/08	AUTHORIZED	TRJ 07/31/08	ECN #	DATE
CAPACITY			SIZE	DWG.NO: W224100-093	
FINISH			SIZE	B	

2. DIMENSIONS NOT TOLERANCED ARE FOR REFERENCE ONLY.

1. DIMENSIONS ARE IN INCHES AND [MILLIMETERS].

---NOTES---

SCALE: FULL UNLESS NOTED. DO NOT SCALE THIS DRAWING.

WHEATON

50 Year 100 Size 1 Mill. 10 3532-233