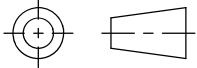


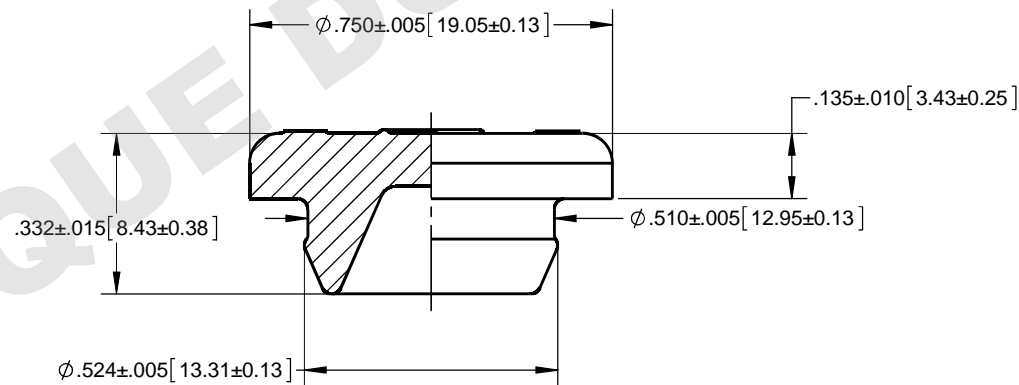
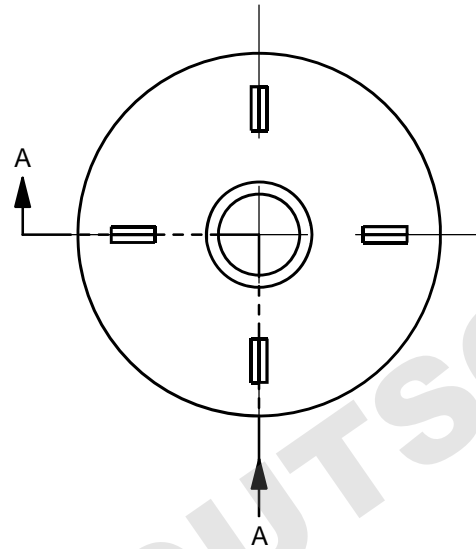
K:\GCAW224100-181

THIS DRAWING CONTAINS CONFIDENTIAL INFORMATION AND IS A COPYRIGHT OF WHEATON INDUSTRIES INC. IT MAY NOT BE DUPLICATED FOR ANY PURPOSE IN WHOLE OR IN PART WITHOUT THE EXPRESS WRITTEN CONSENT OF WHEATON INDUSTRIES INC. ALL RIGHTS RESERVED. ELECTRONIC OR PAPER COPIES OF THIS PRINT OUTSIDE OF WHEATON'S SYSTEM ARE UNCONTROLLED AND ARE FOR REFERENCE ONLY UNLESS OTHERWISE STAMPED.

THIRD ANGLE PROJECTION



ISOMETRIC VIEW  
ACTUAL SIZE



MATERIAL: GREY CHLOROBUTYL RUBBER FM140

SECTION A-A  
SCALE 4 : 1

4.	ITEM IS SILICONIZED.	TITLE	DATE DRAWN	PROJ#	REDRAWN IN SOLIDWORKS	03/27/15 TP
3.	ROUGHENED TOP: 2.5<RA<5μm. 100<RA<200μ".	20mm STPR, SNAP-ON (13X20) GRY BUTYL, SILZD	05/21/08		ADDED NOTE #2	
2.	MILLIMETER DIMENSIONS ARE FOR REFERENCE ONLY.	CAPACITY	DRAWN BY	APPROX WGT	A	05/21/08 BL
1.	DIMENSIONS ARE IN INCHES AND [MILLIMETERS].	FINISH	TRJ 05/21/08	JB 05/21/08	REV	ECN #
--- <td>SCALE: FULL UNLESS NOTED. DO NOT SCALE THIS DRAWING.</td> <td colspan="2"> </td> <td>SIZE</td> <td>DATE</td>		SCALE: FULL UNLESS NOTED. DO NOT SCALE THIS DRAWING.			SIZE	DATE
			1501 North 10th Street, MILLIK, NJ 08332-2038		B	DWG.NO: W224100-181

PRODUCT COMPONENTS		
ITEM	QTY	DESCRIPTION