

-----NOTES-----

PRODUCT COMPONENTS

1. DIMENSIONS ARE IN INCHES AND [MILLIMETERS].



ITEM

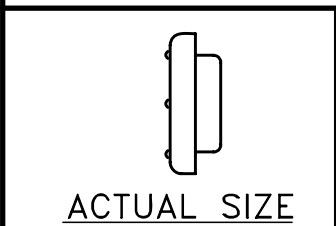
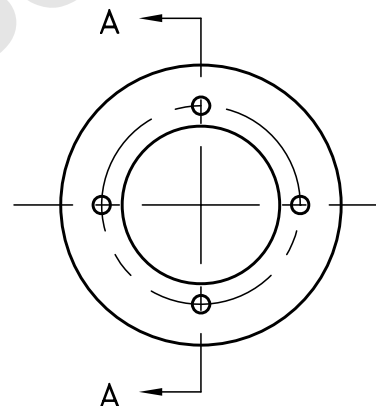
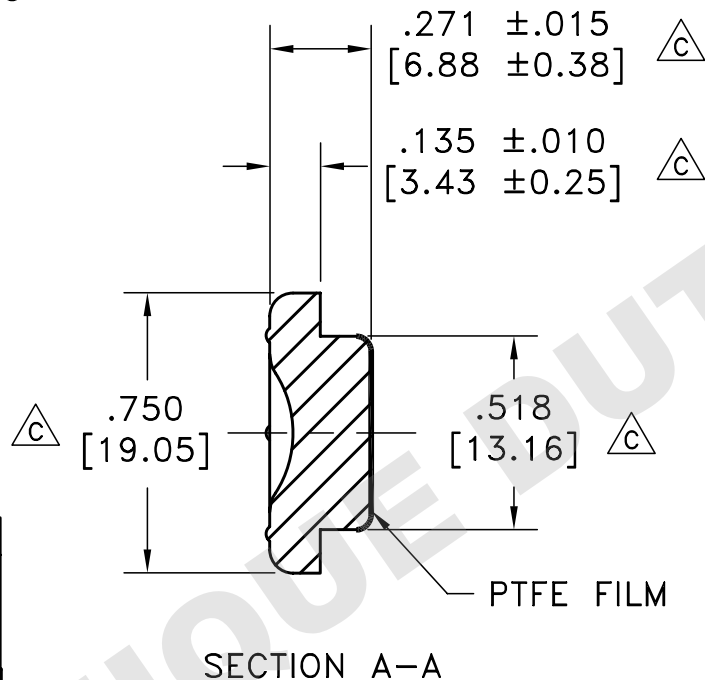
QTY

DESCRIPTION

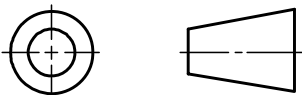
TOLERANCES UNLESS NOTED:

DECIMAL .XXX = ±.005

METRIC .XX = ±0.13



THIRD ANGLE PROJECTION



COPYRIGHT BY 2010
WHEATON INDUSTRIES INC. ALL RIGHTS
RESERVED. THIS MATERIAL MAY NOT
BE DUPLICATED FOR ANY PURPOSE
WITHOUT THE EXPRESS WRITTEN
CONSENT OF WHEATON INDUSTRIES INC.

SCALE 2 X 1

UNCONTROLLED COPY

: \GCA\224100-175

MATERIAL: GRAY RUBBER

TITLE
20MM STPR, ST PLUG (13X20) GRY BTL/PTFE FC

DATE DRAWN 08-29-01

MAT'L

DRAWN BY B.LLOYD

APPROX. WGT.

CHECKED BY TRJ

AUTHORIZED KC

CAPACITY

SIZE

FINISH

SCALE: FULL UNLESS NOTED
DO NOT SCALE THIS DRAWING

TOLERANCE:



WHEATON Industries Inc.
1501 North 10th Street, Millville, NJ 08332-2038

C	2011010708575577	01/20/11 BL
B	2010120909145774	12-09-10 JB
A	12875	08-29-01 BL
REV	E.C.N. #	DATE

DWG.NO:A-224100-175