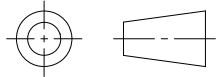


K:\GCA\W224100-173

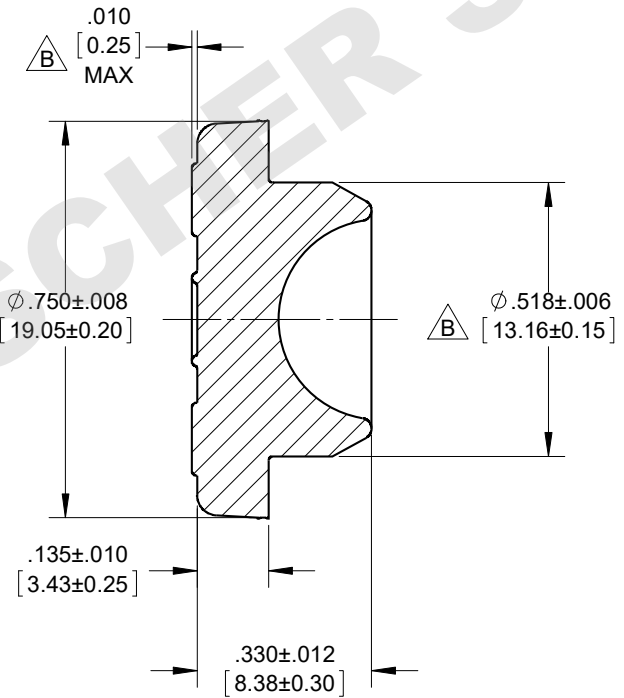
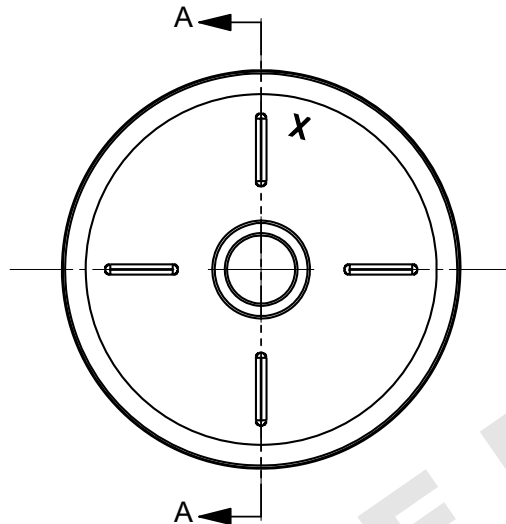
THIS DRAWING CONTAINS CONFIDENTIAL INFORMATION AND IS A COPYRIGHT OF WHEATON INDUSTRIES INC. IT MAY NOT BE DUPLICATED FOR ANY PURPOSE IN WHOLE OR IN PART WITHOUT THE EXPRESS WRITTEN CONSENT OF WHEATON INDUSTRIES INC. ALL RIGHTS RESERVED. ELECTRONIC OR PAPER COPIES OF THIS PRINT OUTSIDE OF WHEATON'S SYSTEM ARE UNCONTROLLED AND ARE FOR REFERENCE ONLY UNLESS OTHERWISE STAMPED.

THIRD ANGLE PROJECTION



ISOMETRIC VIEW
ACTUAL SIZE

SILICONIZED



SECTION A-A
SCALE 4 : 1

MATERIAL: FM140 GREY CHLOROBUTYL WITH MISCIBLE EVA FILM

PRODUCT COMPONENTS		
ITEM	QTY	DESCRIPTION

		TITLE 20mm STOPPER, ST PLUG, GRY SIL		DATE DRAWN 07/01/08	PROJ#	B	2014112411130969	12/09/14 KW
		CAPACITY		DRAWN BY B. LLOYD	APPROX WGT	A	20080522083321	07/01/08 BL
2.	MILLIMETER DIMENSIONS ARE FOR REFERENCE ONLY.	FINISH		CHECKED BY TRJ 07/01/08	AUTHORIZED JB 07/01/08	REV	ECN #	DATE
1.	DIMENSIONS ARE IN INCHES & [MILLIMETERS].	SIZE		WHEATON [®] <small>1501 North 10th Street, Millville, NJ 08332-2038</small>		SIZE	B DWG.NO: W224100-173	
----NOTES----		SCALE: FULL UNLESS NOTED. DO NOT SCALE THIS DRAWING.						