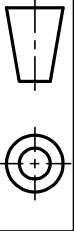


: GCA 223684

THIS DRAWING CONTAINS CONFIDENTIAL INFORMATION AND IS A COPYRIGHT OF WHEATON INDUSTRIES INC. IT MAY NOT BE REPRODUCED OR TRANSMITTED IN ANY FORM OR BY ANY MEANS WITHOUT THE EXPRESS WRITTEN CONSENT OF WHEATON INDUSTRIES INC. ALL RIGHTS RESERVED.

UNCONTROLLED COPY

THIRD ANGLE PROJECTION

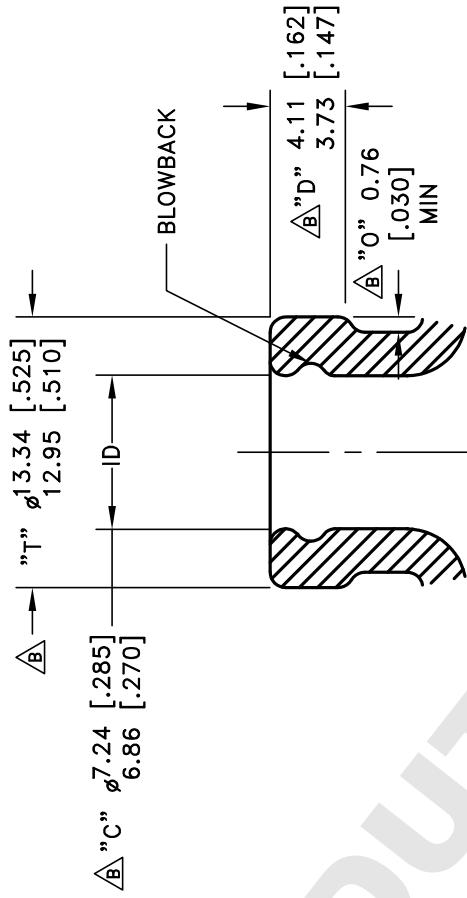
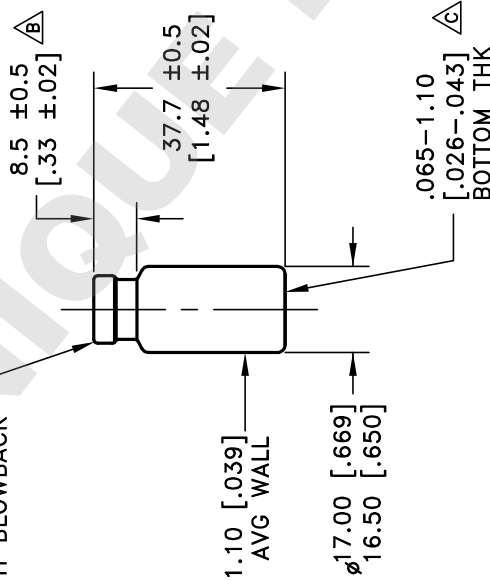


PRODUCT COMPONENTS

DESCRIPTION

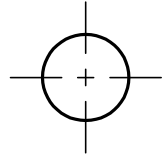
ITEM QTY

G.P.I. 2710-13 FINISH WITH BLOWBACK



FINISH DETAIL SCALE 4 X 1

TYPE I CLEAR BOROSILICATE GLASS 33 EXPANSION



TITLE	3mL VIAL, SERUM, GLASS CLEAR
CAPACITY	5.1cc MEAN OF SIZE 3cc
FINISH	G.P.I. 2710-13 W/ BLOWBACK
SCALE:	FULL UNLESS NOTED. DO NOT SCALE THIS DRAWING.

DATE DRAWN	02/28/03	PROJ #	
DRAWN BY	B. LLOYD	APPROX. WGT.	5.6gr
CHECKED BY	TRJ 2/28/03	AUTHORIZED	CJM
WHEATON® 150 North 10th Street Millis, NJ 08535-3038 USA		DWG. NO: B- 223684	

ADDED NOTE #2	02/22/13 TP
C	201206211044535 06/25/12 TP
B	20070925132322 09/25/07 BL
A	311450838479 02/28/03 BL
REV	E.C.N. # DATE

2. VIAL IS SUITABLE FOR FREEZE DRYING.

1. DIMENSIONS ARE IN MILLIMETERS AND [INCHES].

---NOTES---