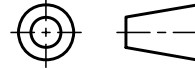


GCA 223762

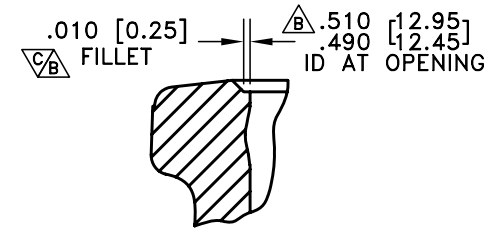
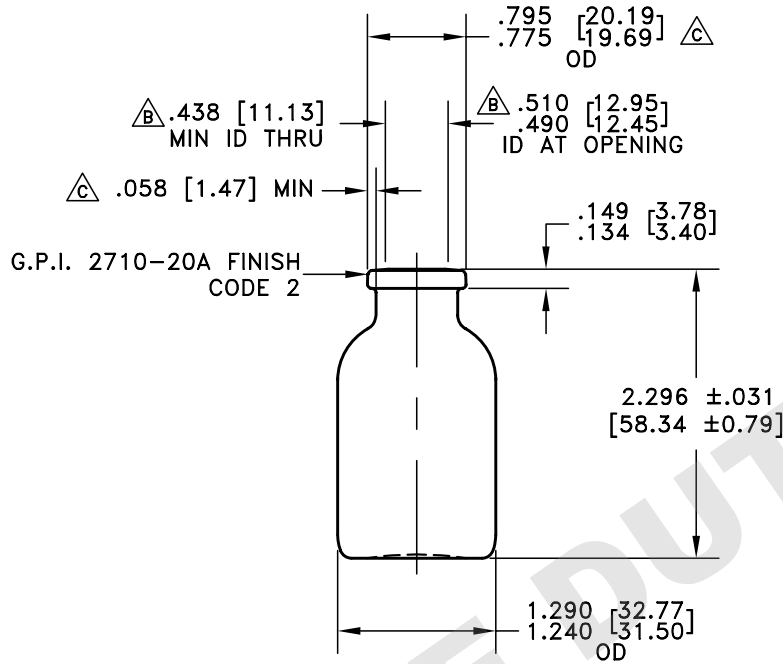
THIS DRAWING CONTAINS CONFIDENTIAL INFORMATION AND IS A COPYRIGHT OF WHEATON INDUSTRIES INC. IT MAY NOT BE DUPLICATED FOR ANY PURPOSE IN WHOLE OR IN PART WITHOUT THE EXPRESS WRITTEN CONSENT OF WHEATON INDUSTRIES INC. ALL RIGHTS RESERVED.

THIRD ANGLE PROJECTION

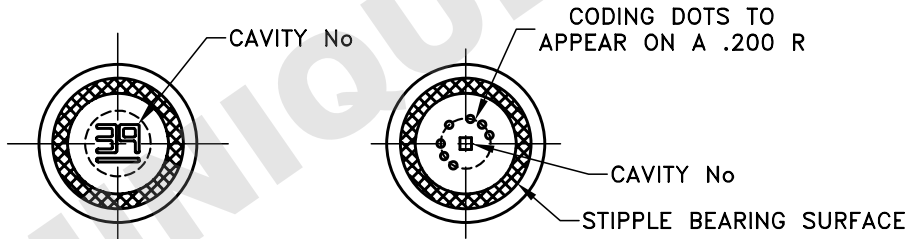


PRODUCT COMPONENTS

ITEM	QTY	DESCRIPTION



FINISH DETAIL
SCALE: 5 X 1



UNCONTROLLED COPY

MATERIAL: TYPE I AMBER BOROSILICATE GLASS		TITLE: 20mL BTL, SERUM, GLASS, TYPE I AMB		DATE DRAWN: 2/12/03	MAT'L:	C: 2012020214182988	2/8/12 BL
2. APPROXIMATE WEIGHT: 30.11 ±3.0 GRAMS.		CAPACITY 25-27cc OVERFLOW (PRACTICAL FILL 20cc)		DRAWN BY: B. LLOYD	APPROX. WGT.:	B: 2009043008275911	04/30/09 BL
1. DIMENSIONS ARE IN INCHES & [MILLIMETERS].		FINISH: G.P.I. 2710-20A, CODE 2		CHECKED BY: TRJ 3-4-03	AUTHORIZED: CJM 3-4-03	A: 335620767679	02/12/03 BL
-----NOTES-----		SCALE: FULL UNLESS NOTED DO NOT SCALE THIS DRAWING.		TOLERANCE:		REV: E.C.N. # DATE	
				WHEATON Industries Inc. 1501 North 10th Street, Millville, NJ 08332-2038		DWG. NO: B- 223762	