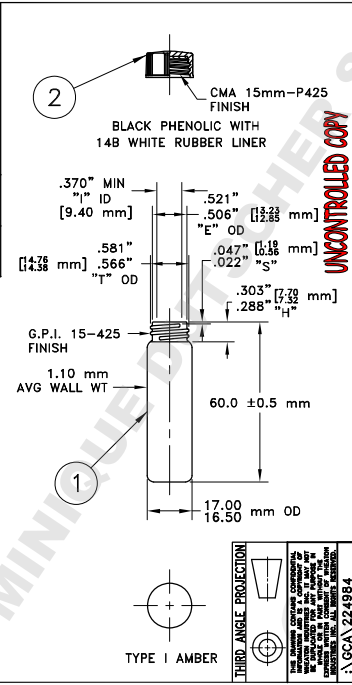


-----NOTES-----

PRODUCT COMPONENTS		
ITEM	QTY	DESCRIPTION
1.	144	50099688 OR 50028537 VIAL
2.	144	W000043 CAP W/LINER



UNCONTROLLED COPY



THIS DRAWING CONTAINS CONFIDENTIAL INFORMATION AND IS A COPYRIGHT OF WHEATON INDUSTRIES INC. IT MAY NOT BE REPRODUCED OR TRANSMITTED IN ANY FORM OR BY ANY MEANS, ELECTRONIC OR MECHANICAL, WITHOUT THE EXPRESS WRITTEN CONSENT OF WHEATON INDUSTRIES INC. ALL RIGHTS RESERVED.

:\GCA\224984

TITLE	DATE DRAWN	BY	201202081315553	02/20/12	BL
8ml SAMPLE VIAL IN LAB FILE, AMB, RB LN	02/09/11	B. LLOYD	201012061128348	02/09/11	BL
CAPACITY	CHECKED BY	REV	E.C.N. #	DATE	
SIZE 2 DRAM	KW 2/11/11	2/11/11			
FINISH G.P.I. 15-425	DWG.NO:A- 224984				
SCALE: FULL UNLESS NOTED DO NOT SCALE THIS DRAWING	101 North 10th Street, Waukegan, IL 60087-0008				