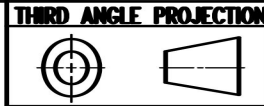
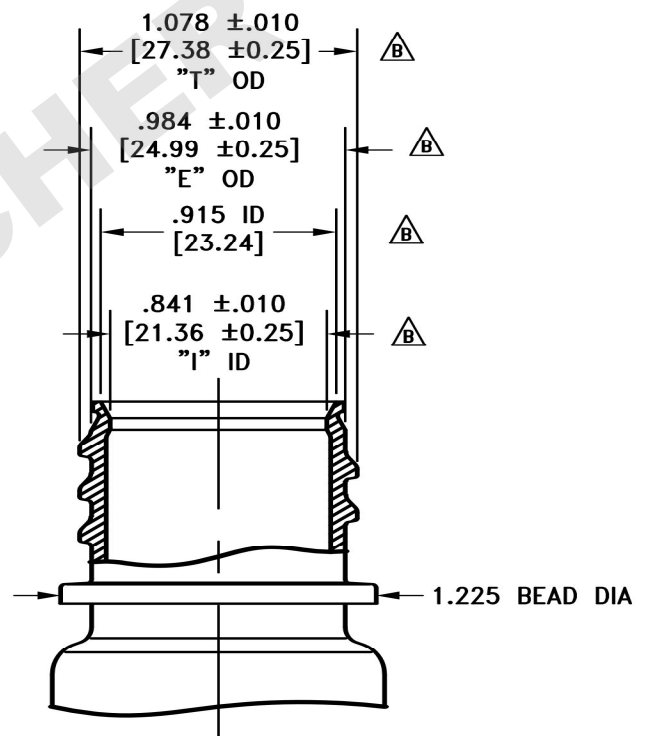
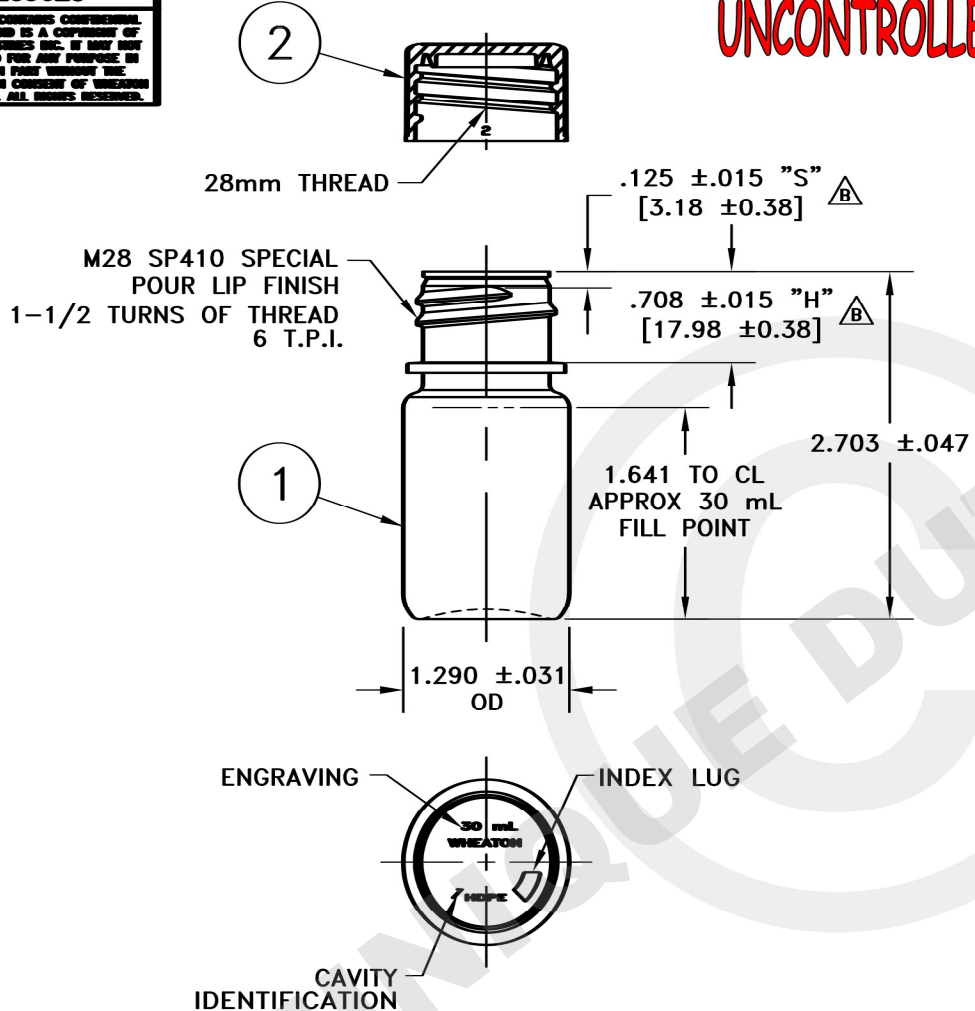


GCA 209625
 THIS DRAWING CONTAINS CONFIDENTIAL INFORMATION AND IS A COPYRIGHT OF WHEATON INDUSTRIES INC. IT MAY NOT BE REPRODUCED FOR ANY PURPOSE IN WHOLE OR IN PART WITHOUT THE EXPRESS WRITTEN CONSENT OF WHEATON INDUSTRIES INC. ALL RIGHTS RESERVED.

UNCONTROLLED COPY



PRODUCT COMPONENTS		
ITEM	QTY	DESCRIPTION
1.	72	W082705 BOTTLE
2.	72	W083349B CAP △



NECK DETAIL
 SCALE: 2 X 1

BOTTLE MATERIAL: AMBER HIGH DENSITY POLYETHYLENE
 CAP MATERIAL: AMBER POLYPROPYLENE

- 3. APPROX WGT: BOTTLE 7.2 ±0.5 grams, CAP 4.3 ±0.4 grams.
- 2. TOLERANCES APPLY TO THE AVERAGE OF HIGH & LOW POINTS ON DIAMETER(S).
- 1. DIMENSIONS ARE IN INCHES AND [MILLIMETERS]. △

TITLE	30mL STAR BTL, WM HDPE AMB, 28-410 CAP
CAPACITY	41.5 ±1.5 mL OVERFLOW
FINISH	M28 SP410 POUR LIP (SPECIAL)

DATE DRAWN	04/11/08	DRAWN BY	B. LLOYD
CHECKED BY	TRJ 04/15/08	APPROVED	JB 04/15/08

REV	E.C.N. #	DATE
B	20080522085119	12/31/08
A	20080319154926	04/11/08

-----NOTES-----

SCALE: FULL UNLESS NOTED
 TOLERANCE UNLESS SPECIFIED: ±.015



DWG. NO: B- 209625