

GCA 209129

THIS DRAWING CONTAINS CONFIDENTIAL INFORMATION AND IS A COPYRIGHT OF WHEATON INDUSTRIES INC. IT MAY NOT BE DUPLICATED FOR ANY PURPOSE IN WHOLE OR IN PART WITHOUT THE EXPRESS WRITTEN CONSENT OF WHEATON INDUSTRIES INC.  
ALL RIGHTS RESERVED.  
ELECTRONIC OR PAPER COPIES OF THIS PRINT OUTSIDE OF WHEATON'S SYSTEM ARE UNCONTROLLED AND ARE FOR REFERENCE ONLY UNLESS OTHERWISE STAMPED.

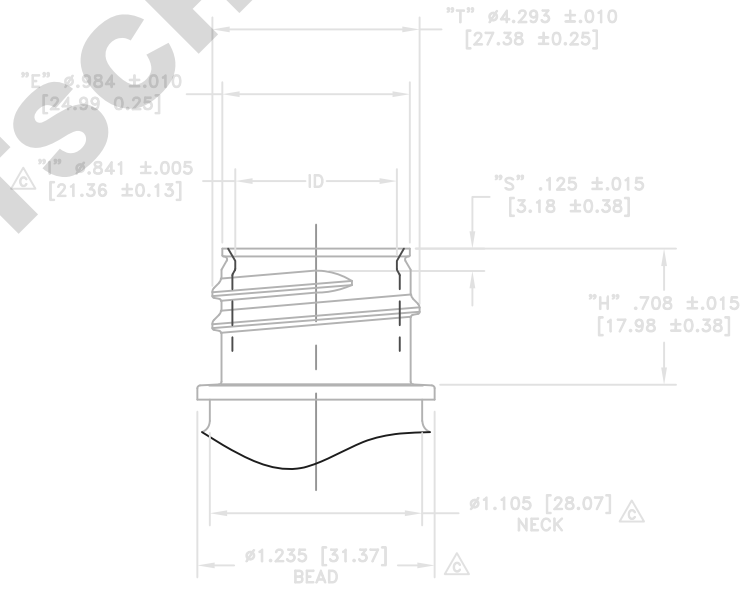
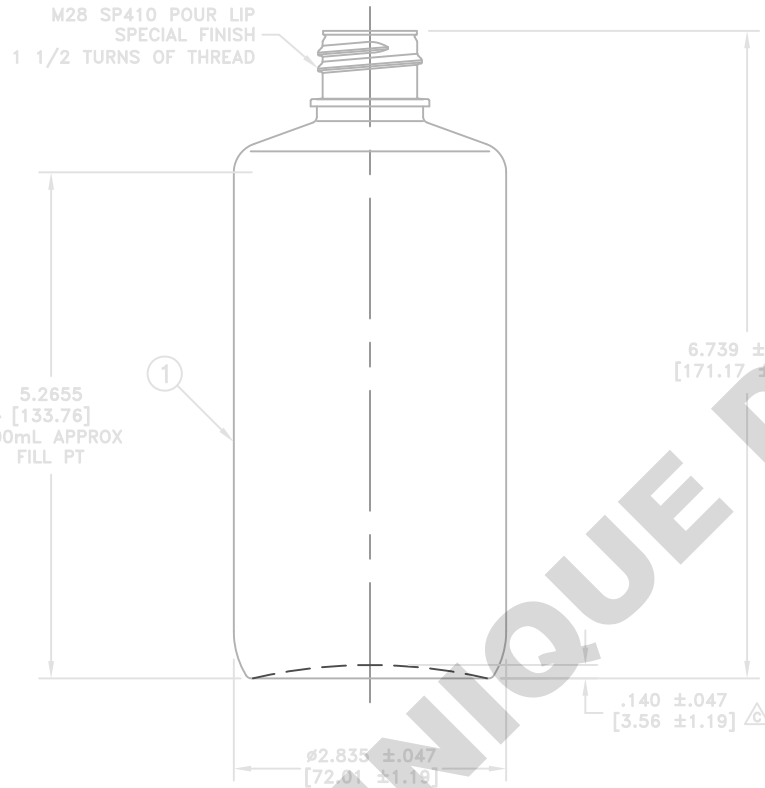
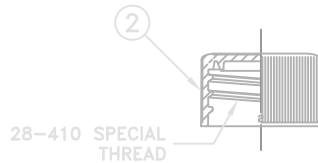
TOLERANCE UNLESS SPECIFIED:  $\pm 0.015$  [0.38]

THIRD ANGLE PROJECTION



PRODUCT COMPONENTS

ITEM	QTY	DESCRIPTION
1.	48	500mL BOTTLE
2.	48	28-410 CAP



FINISH DETAIL  
SCALE 2 X 1

BOTTLE MATERIAL: AMBER HIGH DENSITY POLYETHYLENE  
CAP MATERIAL: AMBER POLYPROPYLENE.

3. APPROXIMATE WEIGHTS: BOTTLE 45.0  $\pm 1.5$  grams, CAP 4.3  $\pm 0.4$  grams.

2. ALL DIMENSIONS ARE IN INCHES AND [MILLIMETERS].

1. CALCULATED AVERAGE WALL: .044 [1.12] REF ONLY. (BOTTLE ONLY)

-----NOTES-----

TITLE	500mL STAR BTL, NM HDPE AMB, 28-410 CAP	DATE DRAWN	08/08/05	PROJ #	
CAPACITY	542.0 $\pm 11.0$ mL OVERFLOW	DRAWN BY	B. LLOYD	APPROX. WGT. SEE NOTE 3	
FINISH	M28 SP410 SPECIAL POUR LIP	CHECKED BY	TRJ 8/10/05	AUTHORIZED	CJM 8/10/05
SCALE:	FULL UNLESS NOTED. DO NOT SCALE THIS DRAWING.	<b>WHEATON</b> 100 North 10th Street   Allentown, PA 18102-2000   USA			

C	2014042309254170	05/08/14 TP
B	20080522085119	12/31/08 BL
A	20050805140923	08/08/05 BL
REV	E.C.N. #	DATE
DWG. NO: C-209129		