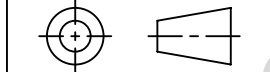


:\DWGS\CSD-209125

TOLERANCE UNLESS SPECIFIED: ± 0.015

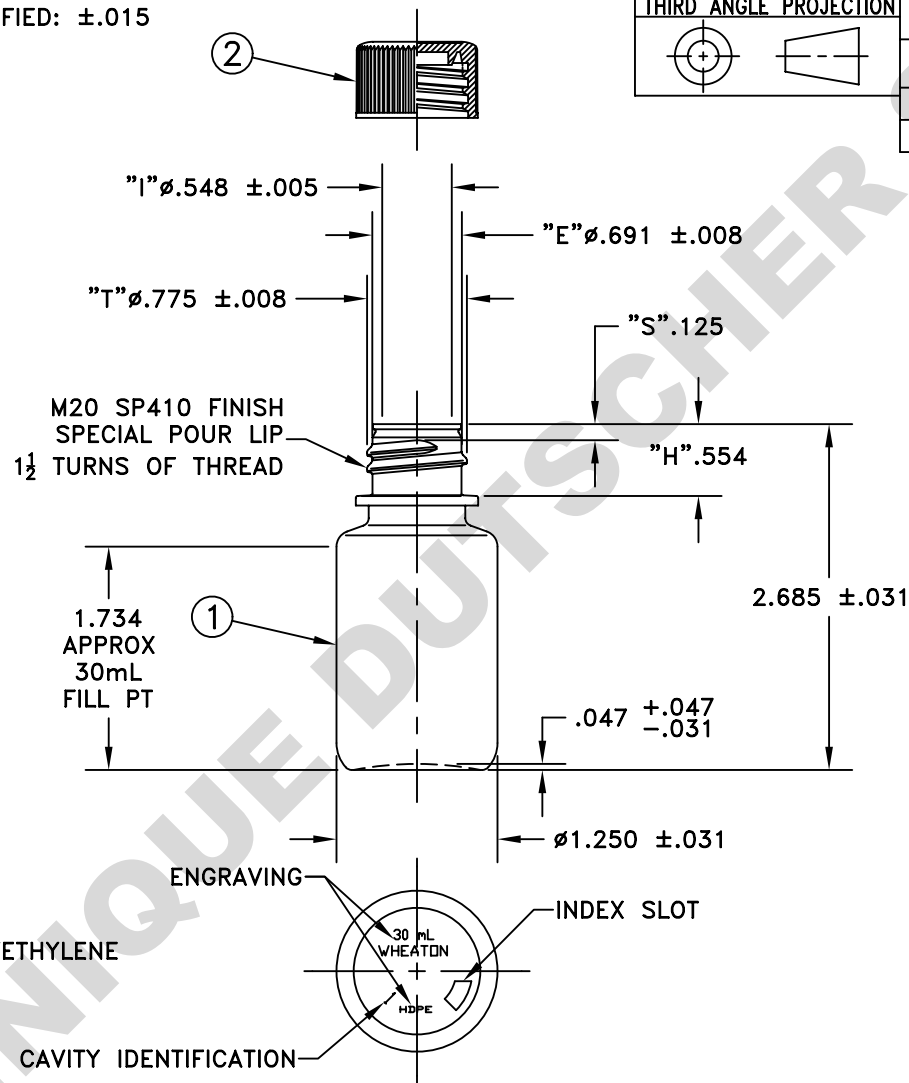
THIS DRAWING CONTAINS CONFIDENTIAL INFORMATION AND IS A COPYRIGHT OF DWK LIFE SCIENCES INC. IT MAY NOT BE DUPLICATED FOR ANY PURPOSE IN WHOLE OR IN PART WITHOUT THE EXPRESS WRITTEN CONSENT OF DWK LIFE SCIENCES INC. ALL RIGHTS RESERVED. © ELECTRONIC OR PAPER COPIES OF THIS PRINT OUTSIDE OF DWK LIFE SCIENCES SYSTEM ARE UNCONTROLLED AND ARE FOR REFERENCE ONLY UNLESS OTHERWISE STAMPED.

THIRD ANGLE PROJECTION



PRODUCT COMPONENTS

ITEM	QTY	DESCRIPTION
1.	72	BOTTLE
2.	72	CAP



BOTTLE MATERIAL: AMBER HIGH DENSITY POLYETHYLENE
 CAP MATERIAL: AMBER POLYPROPYLENE

CAVITY IDENTIFICATION

TITLE 30mL STAR BTL, NM HDPE AMB, 20-410 CAP	DATE DRAWN 1/27/12	PROJ#	-	CORPORATE NAME CHANGE	10/25/18 EL
DRAWN BY KW	CHECKED BY EL 1/30/12	APPROX. WGT. 6.5 ± 0.5 grams	A	2012012010502386	1/27/12 KW
CAPACITY 35.5 ± 1.0 cc OVERFLOW	FINISH M20 SP410 (SPECIAL) POUR LIP	AUTHORIZED TRJ 1/30/12	REV	E.C.N. #	DATE
SCALE: FULL UNLESS NOTED. DO NOT SCALE THIS DRAWING.		DURAN WHEATON KIMBLE 1501 North 10th Street Millville, NJ 08332-2038 USA		DWG. NO: B- CSD-209125	

2. APPROXIMATE WEIGHT EXCLUDES CAP.

1. DIMENSIONS ARE IN INCHES.

----NOTES----